
HOGGI[®]



BINGO Evolution Spare parts catalogue

en

Index

1	Modelidentifikation and basic equipment	
1.1	Modelidentifikation _____	4
1.2	Basic equipment _____	4
2	Assemblies	
2.1	Assemble overview _____	5
3	Spare parts	
3.1	Mobility base, with swivelling front wheels _____	6
3.2	Mobility base, with rigid front wheels _____	7
3.3	Mobility base for additional equipment _____	8
3.4	Mobility base for trike _____	9
3.5	Mobility base Mini (invert), _____	10
3.6	Seat unit _____	11
3.7	Seat unit Mini _____	12
3.8	Frame, for swivel front wheels _____	13
3.9	Frame, for rigid front wheels _____	14
3.10	Frame, for additional equipment _____	15
3.11	Frame, for trike _____	16
3.12	Frame, for Mini with swivel front wheels _____	17
3.13	Front bar _____	18
3.14	Frame suspension system _____	19
3.15	Spring selection _____	20
3.16	Rear frame _____	21
3.17	Break _____	22
3.18	Push bar _____	23
3.19	Push bar (parts list) _____	24
3.20	Seat Bearing, size 1 and 2 _____	25
3.21	Seat Bearing, Mini _____	26
3.22	Seat Bearing, size _____	27
3.23	Tie down kit _____	28
3.24	Tie down kit Mini _____	29
3.25	Castor fork _____	30
3.26	Wheel options _____	31
3.27	Trike front wheel _____	32
3.28	Drum break's _____	33
3.29	Seat base _____	34
3.30	Releaser, tiltingmechanism _____	35
3.31	Releaser, tiltingmechanism Mini _____	36
3.32	Seat surface _____	37
3.33	Seat surface Mini _____	38
3.34	Hip support _____	39
3.35	Pelotte thigh _____	40
3.36	Footresthanger 90° _____	41
3.37	Foot rest hanger angle adjustable 90-160° _____	42
3.38	Foot rest hanger angle adjustable 90-160° (parts list) _____	43
3.39	Foot rest hanger Mini angle adjustable _____	44
3.40	Foot board assembly angle adjustable and foldable _____	45
3.41	Footrest flip up lock _____	46
3.42	Foot plate _____	47
3.43	Back base _____	48

Index

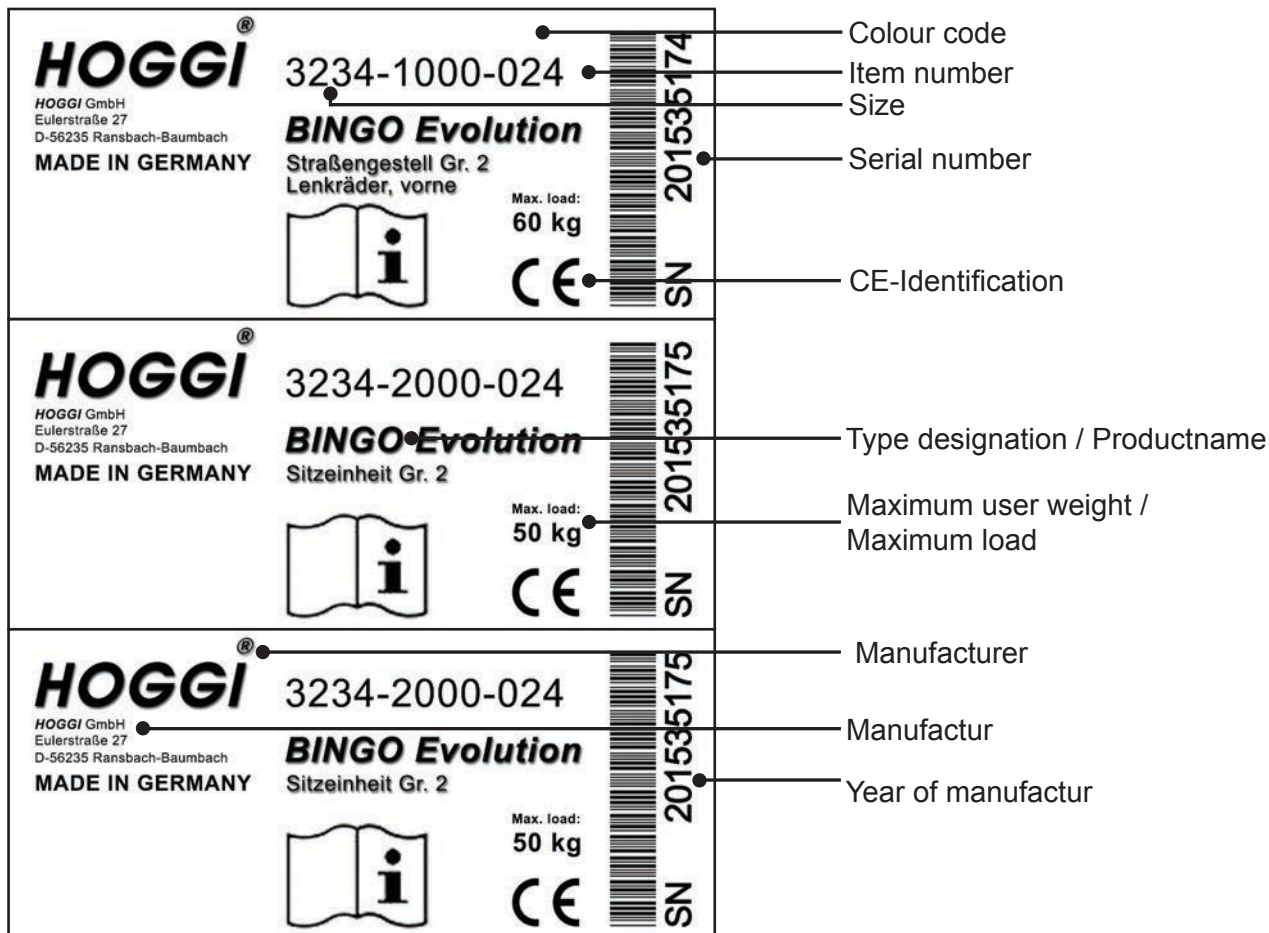
3	Spare parts	
3.44	Lateral support _____	49
3.45	Back insert _____	50
3.46	Back base Mini _____	51
3.47	Back Mini _____	52
3.48	Upholstery _____	53
3.49	Trunk support _____	54
3.50	Thoraxpelotte Mini _____	55
3.51	Abduction block swing&detachable _____	56
3.52	Abduktion block fixed _____	57
3.53	Retainer for accessories grab rail or therapy tray _____	58
3.54	Retainer for accessories grab rail or therapy tray Mini _____	59
3.55	Grab rail _____	60
3.56	Therapy tray, _____	61
3.57	Therapy tray, height adjustable _____	62
3.58	Swivel lock _____	63
3.59	Attendant brake _____	64
3.60	Canopy _____	65

Modelidentifikation

The label with the serial number for the mobility base, is placed on the left side of the side bar.

The label with the serial number for the seat unit, is placed in the middle at the bottom of the seat base.

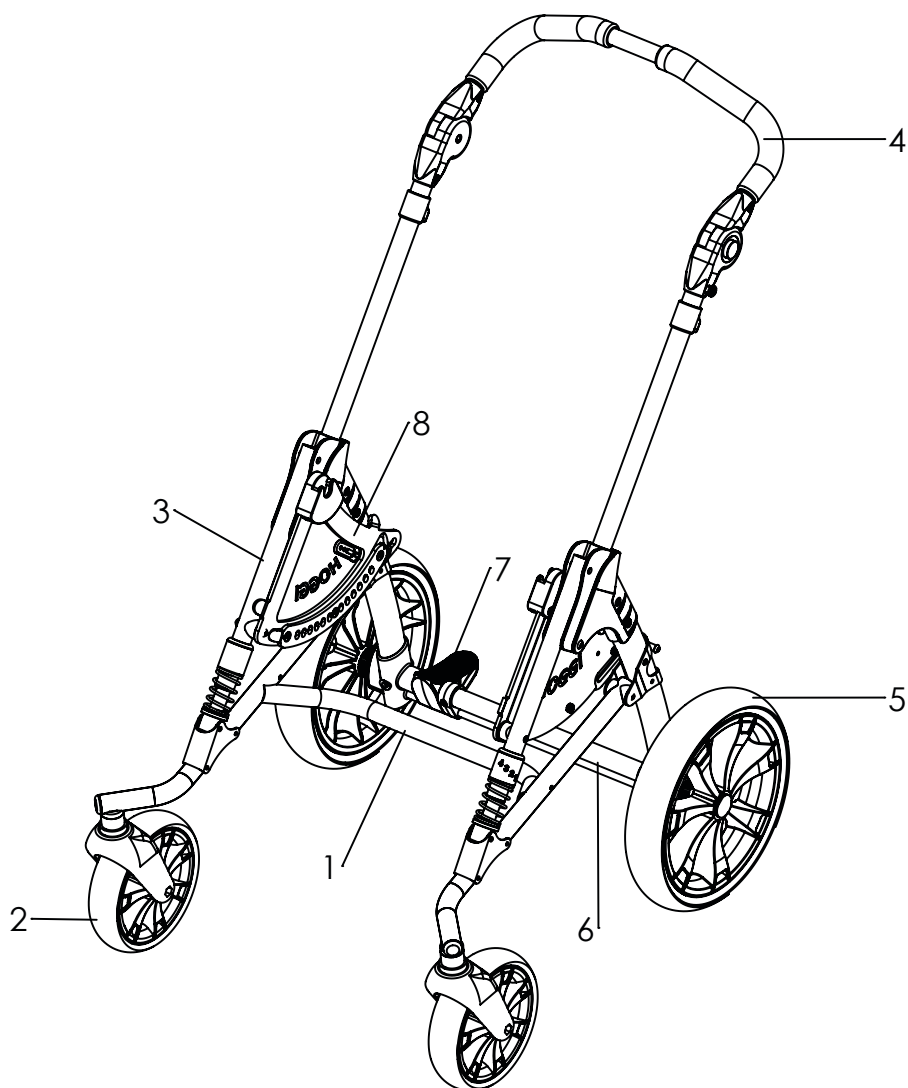
Please give us the Serial number with every spare part order, to ensure a correct delivery.



1.2 Basic configuration

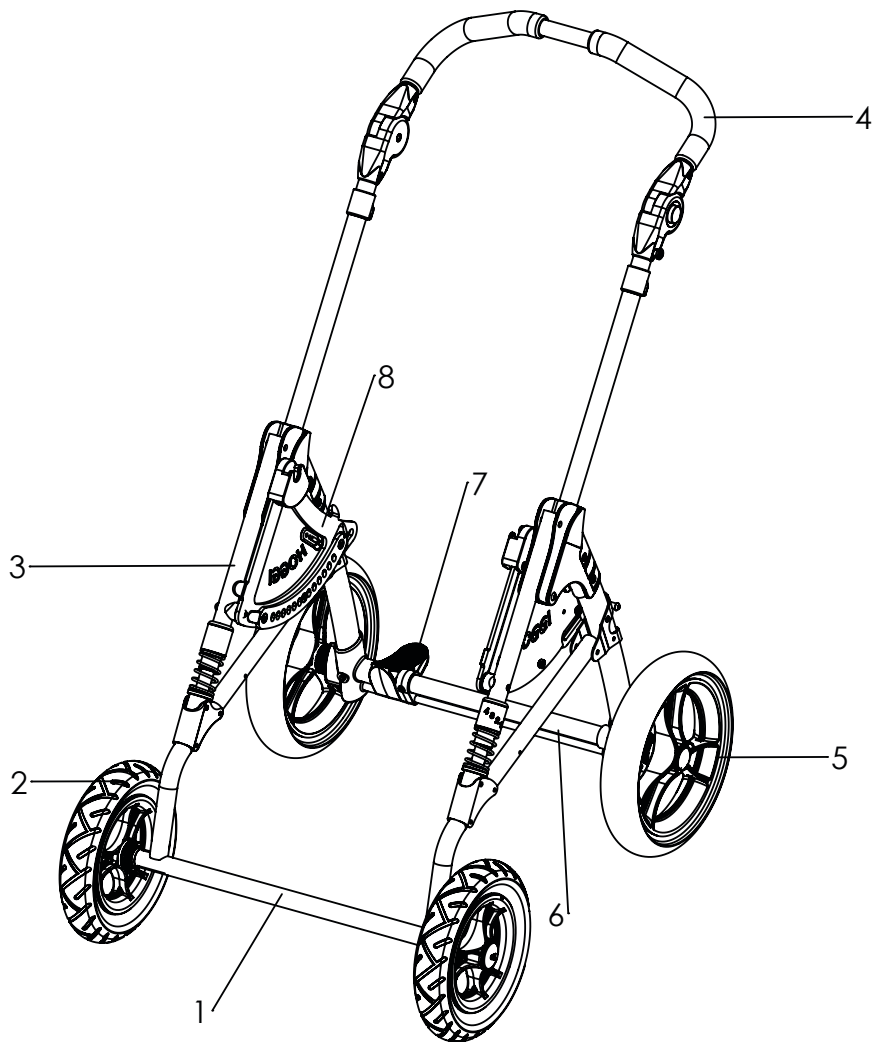
- Bingo EVO Reha-Buggy (Mobility base and seat unit)
- Front- and rear wheels with Pneumatic- oder PU-Wheels
- Upholstery (IPS)
- Pelotte thigh support
- Foot rest hanger, angle adjustable
- Foot rest bracket and foot rest

Mobility base swivelling front wheels wheels



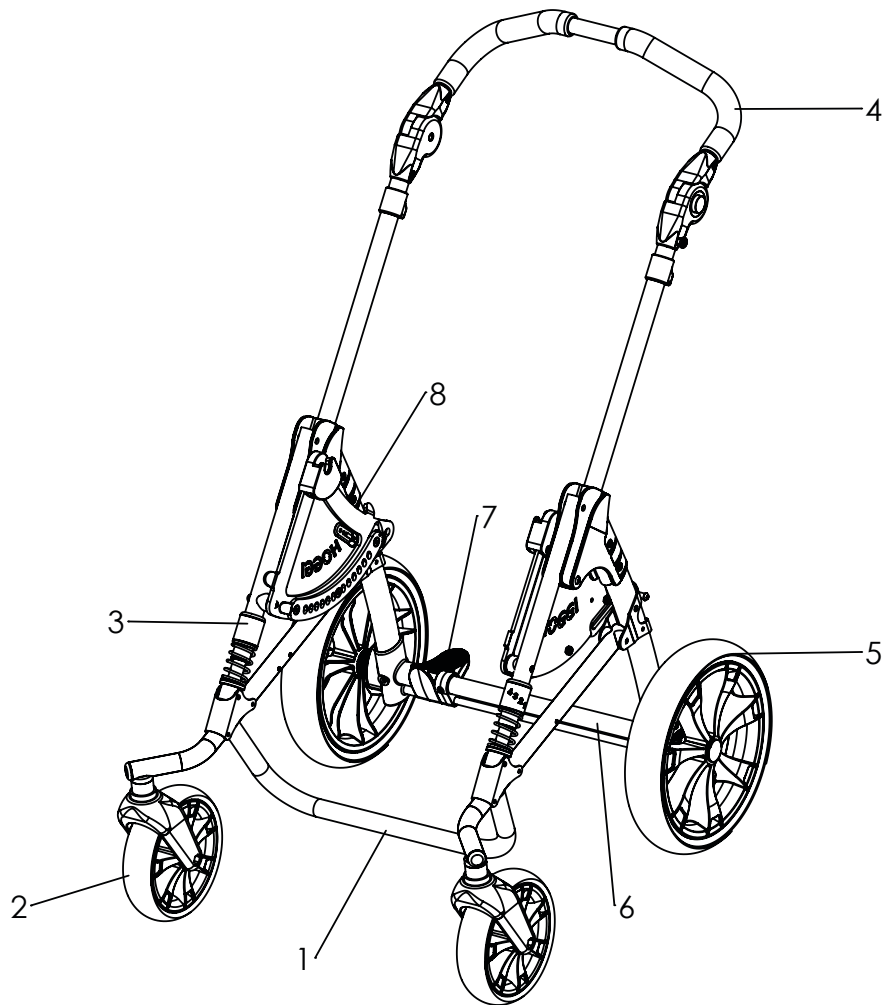
Pos	Article number	Articel description	Page
1-8	3232-1000-xxx	BINGO-Evolution mobility base size 1, swivelling front wheels	
	3234-1000-xxx	BINGO-Evolution mobility base size 2, swivelling front wheels	
1	3232-1100E-xxx	Frame size 1 (swivelling front wheels)	12
	3234-1100E-xxx	Frame size 2 (swivelling front wheels)	
2	12xx-	Front wheel	30
3	3231-1300E-xxx	Front bar	17
	3231-7400E-xxx	Frame suspension system	18
4	3231-1400E-xxx	Push handle size 1	22
	3233-1400E-xxx	Push handle size 2	
5	12xx-	Rear wheel	30
6	3231-1200E-xxx	Rear frame size 1	20
	3233-1200E-xxx	Rear frame size 2	
7	3201-1301E-xxx	Brake size 1	21
	3203-1301E-xxx	Brake size 2	
8	3231-1510E-xxx	Bearing (seat), left	24
	3231-1520E-xxx	Bearing (seat), right	

Mobility base for rigid front wheels



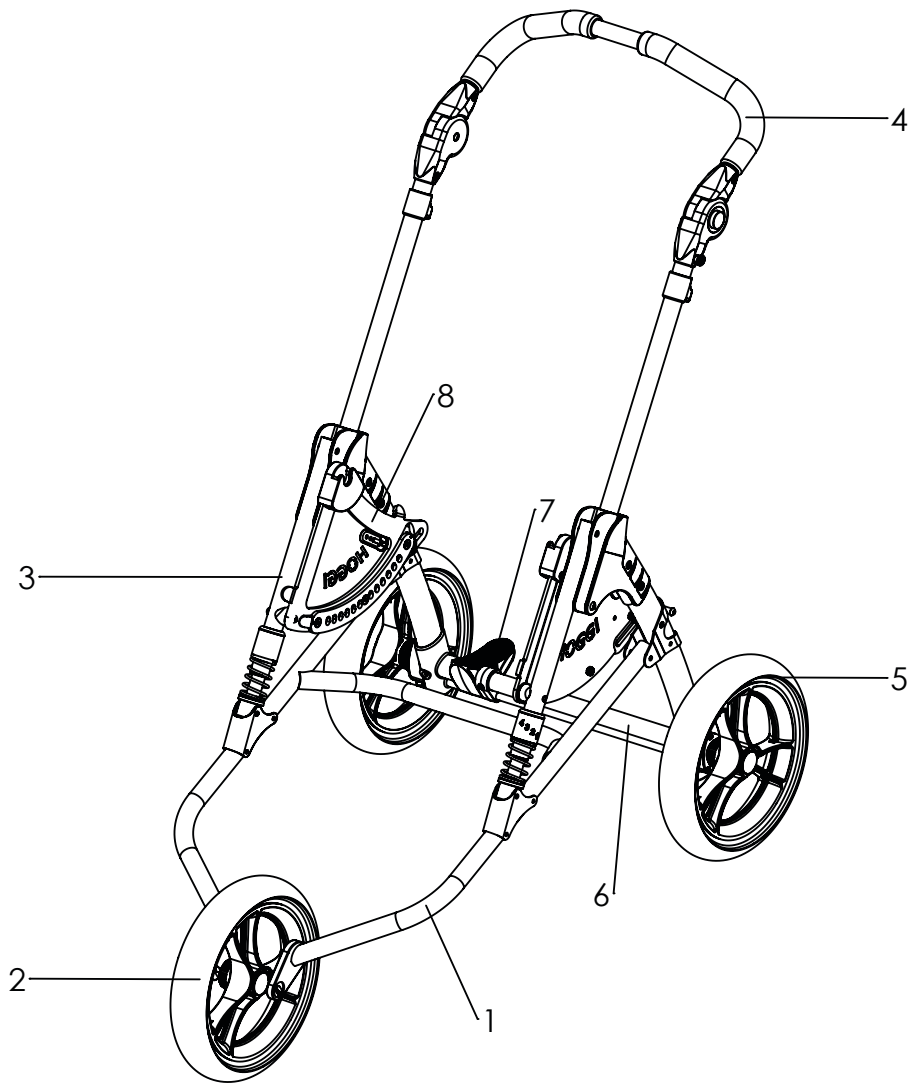
Pos	Article number	Articel description	Page
1-8	3231-1011-032	BINGO Evo mobility base, with rigid front wheels Mini	
	3231-1000-xxx	BINGO Evo mobility base, with rigid front wheels size 1	
	3233-1000-xxx	BINGO Evo mobility base, with rigid front wheels size 2	
1	3231-1100E-xxx	Frame size 1, rigid front wheels	13
	3233-1100E-xxx	Frame size 2, rigid front wheels	
2	12xx-	Front wheel	30
3	3231-1300E-xxx	Front bar	17
	3231-7400E-xxx	Frame suspension system	18
4	3231-1400E-xxx	Push handle size 1	22
	3233-1400E-xxx	Push handle size 2	
5	12xx-	Rear wheel	30
6	3231-1200E-xxx	Rear frame size 1	20
	3233-1200E-xxx	Rear frame size 2	
7	3201-1301E-xxx	Brake size 1	21
	3203-1301E-xxx	Brake size 2	
8	3231-1510E-xxx	Bearing (seat), left	24
	3231-1520E-xxx	Bearing (seat), right	
	3230-1510E	Bearing (seat), Mini left	26
	3230-1520E	Bearing (seat), Mini right	

Mobility base for additional equipment



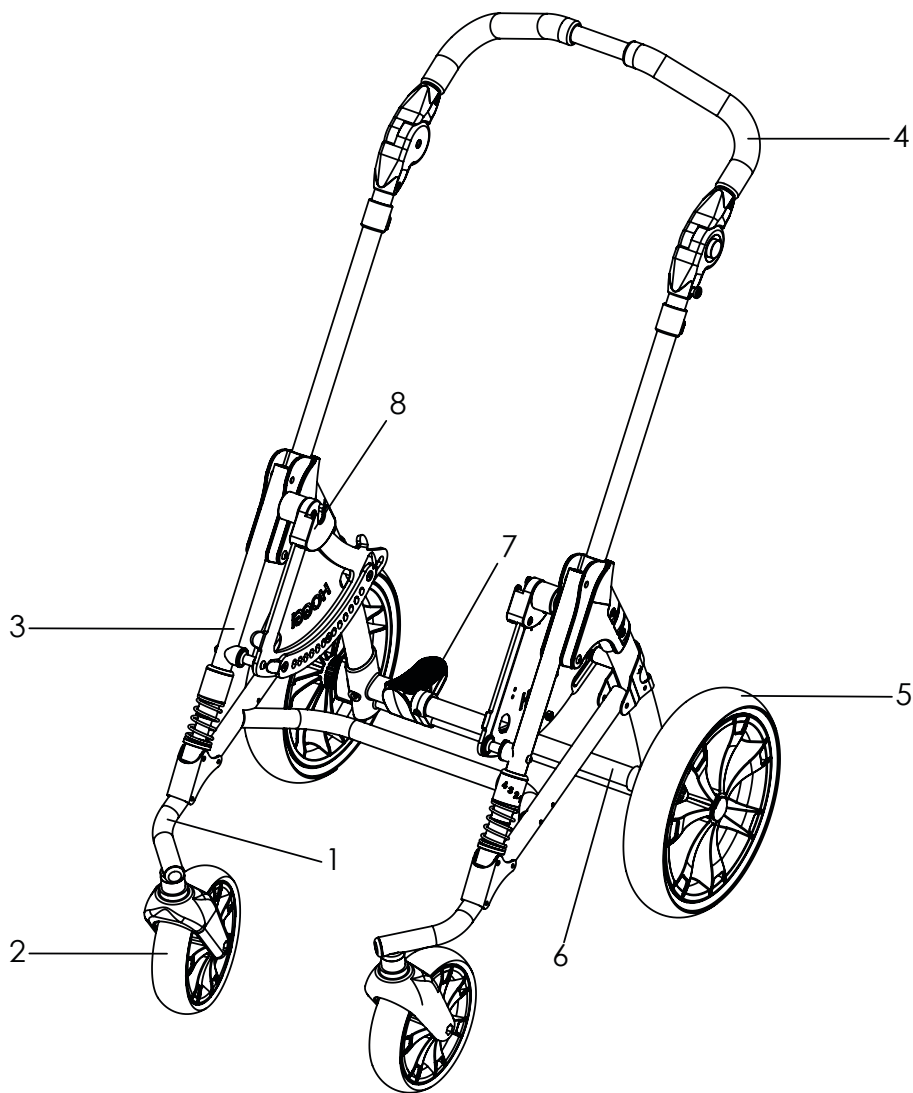
Pos	Article number	Articel description	Page
1-8	3238-1011-032	BINGO Evo mobility base for additional equipment Mini	
	3238-1000-xxx	BINGO Evo mobility base for additional equipment size 1	
	3239-1000-xxx	BINGO Evo mobility base for additional equipment size 2	
1	3238-1100E-xxx	Frame size 1 (for additional equipmen)	14
	3239-1100E-xxx	Frame size 2 (for additional equipmen)	
2	12xx-	Front wheel	30
3	3231-1300E-xxx	Front bar	17
	3231-7400E-xxx	Frame suspension system	18
4	3231-1400E-xxx	Push handle size 1	22
	3233-1400E-xxx	Push handle size 2	
5	12xx-	Rear wheel	30
6	3231-1200E-xxx	Rear frame size 1	20
	3233-1200E-xxx	Rear frame size 2	
7	3201-1301E-xxx	Rear frame size 1	21
	3203-1301E-xxx	Brake size 2	
8	3231-1510E-xxx	Bearing (seat), left	24
	3231-1520E-xxx	Bearing (seat), right	
	3230-1520E-xxx	Bearing (seat), Mini left	26
	3230-1520E-xxx	Bearing (seat), Mini right	

Mobility base trike



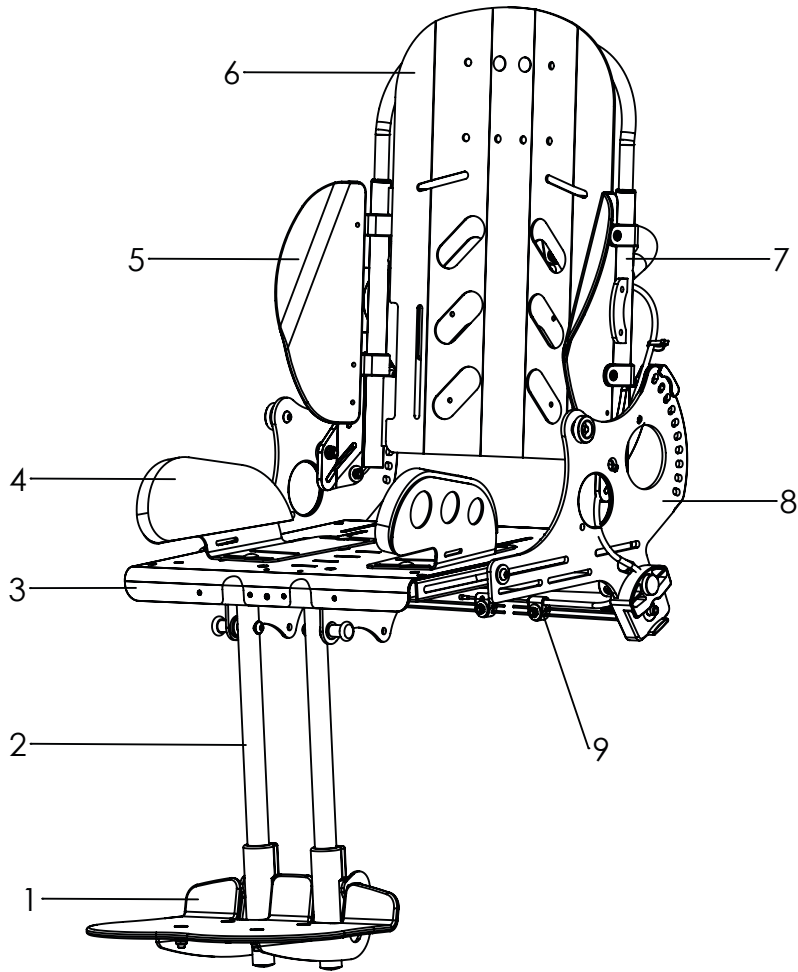
Pos	Article number	Articel description	Page
1-8	3236-1011-032	BINGO-Evolution mobility base Mini, trike	
	3236-1000-xxx	BINGO-Evolution mobility base size 1, trike	
	3237-1000-xxx	BINGO-Evolution mobility base size 2, trike	
1-3	3236-1100E-xxx	Frame size 1 (swivelling front wheels)	15
	3237-1100E-xxx	Frame size 2 (swivelling front wheels)	
2	12xx-	Front wheel	31
3	3231-1300E-xxx	Front bar	17
	3231-7400E-xxx	Frame suspension system	18
4	3231-1400E-xxx	Push handle size 1	22
	3233-1400E-xxx	Push handle size 2	
5	12xx-	Rear wheel	30
6	3231-1200E-xxx	Rear frame size 1	20
	3233-1200E-xxx	Rear frame size 2	
7	3201-1301E-xxx	Brake size 1	21
	3203-1301E-xxx	Brake size 2	
8	3231-1510E-xxx	Bearing (seat), left	24
	3231-1520E-xxx	Bearing (seat), right	
	3230-1520E-xxx	Bearing (seat), Mini left	26
	3230-1520E-xxx	Bearing (seat), Mini right	

Mobility base Mini (invert)



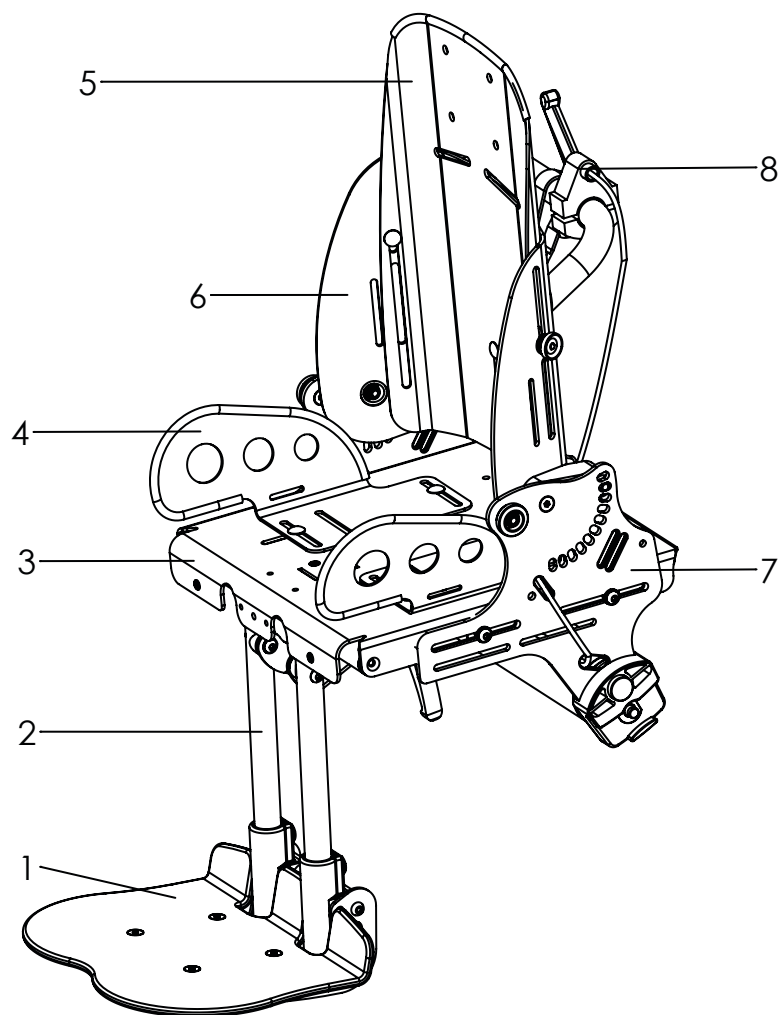
Pos	Article number	Articel description	Page
1-8	3230-1000-032	BINGO-Evolution mobility base Mini (invert), swivelling front wheels	
1	3230-1100E-032	Frame Mini invert (swivelling front wheels)	16
2	12xx-	Front wheel	30
3	3231-7400-032	Front bar	17
	3231-7400E-032	Frame suspension system	18
4	3231-1400-032	Push handle size 1	22
5	12xx-	Rear wheel	30
6	3230-1200-032	Rear frame size 1	20
7	3201-1301-032	Rear frame size 1	21
8	3230-1510-xxx	Bearing (seat), Mini left	26
	3230-1520-xxx	Bearing (seat), Mini right	

Spare parts



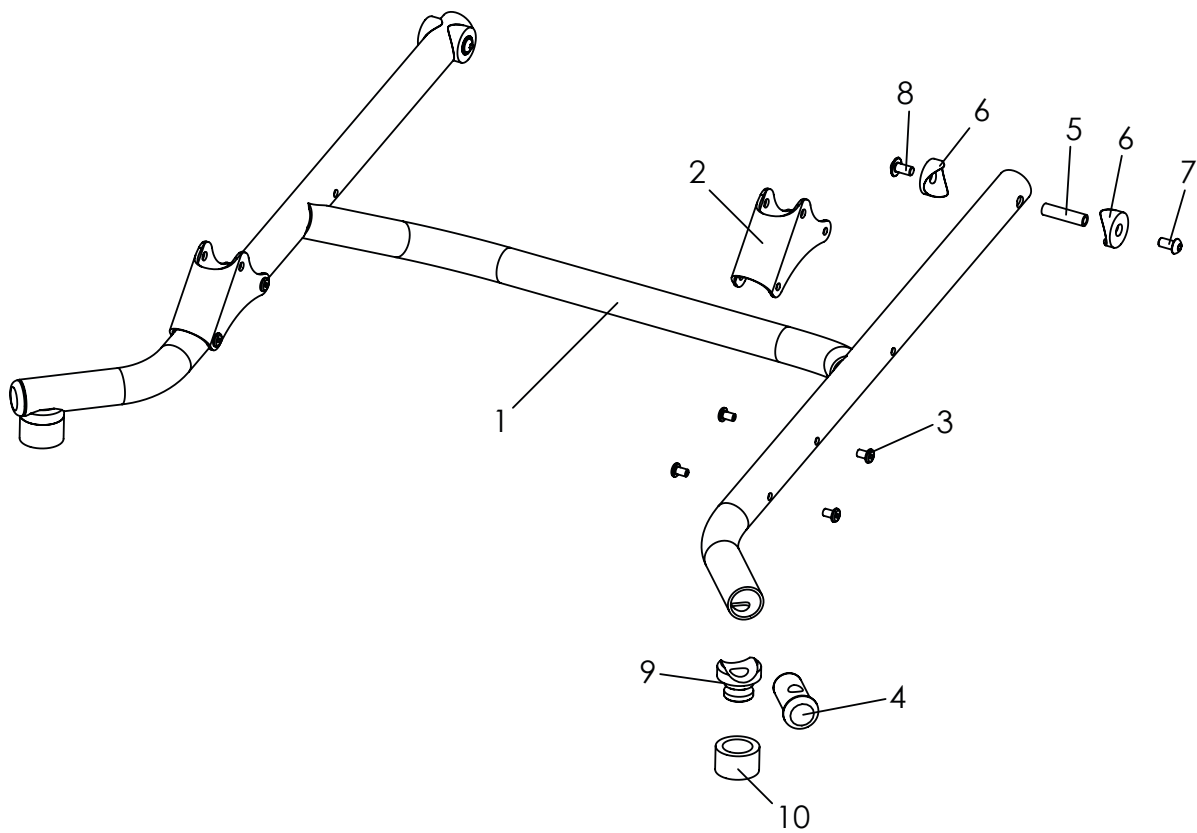
Pos	Article number	Articel description	Page
1-9	3232-2000-xxx	Seat unit size 1	
	3234-2000-xxx	Seat unit size 2	
	3235-2000-xxx	Seat unit size 2XL	
1	323X-2XXXE	Foot board	44
2	323X-2X00E-xxx	Footrest hanger	40
3	323X-2200-xxx	Seat surface	36
4	323X-2900E-xxx	Thigh support	39
	323X-2600E-xxx	Hip support	38
5	323X-27XX	Lateral support	48
6	323X-2800E-xxx	Back insert	49
7	323X-2300E-xxx	Back base	47
8	323X-2100E-xxx	Seat base	33
9	3231-1900E	Tilt mechanism	34

Spare parts



Pos	Article number	Articel description	Page
1-6	3230-2000-032	Seat unit Mini	
1	323X-2XXXE	Foot board	44
2	3230-2400-xxx	Footrest hanger	43
3	3230-2200E-032	Seat surface	37
4	3230-290X-032	Thigh support	39
	3230-2600E-032	Hip support	38
5	3230-2302-xxx	Back insert	51
6	3230-2301-xxx	Back base	50
7	3230-2100-xxx	Seat base	33
8	3230-1900	Tilt mechanism	35

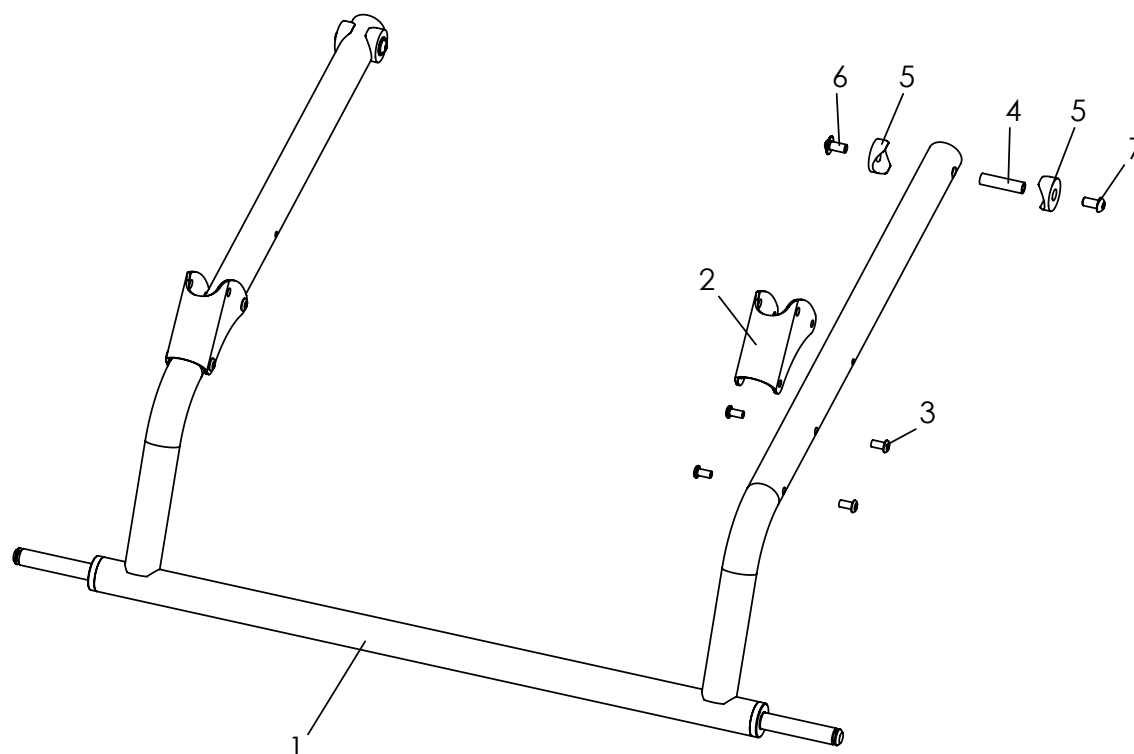
Spare parts



Pos	Article number	Articel description	Quantity	Unit
1-10	3232-1100E-xxx	Frame size 1 (swivel front wheels)	1	Pc.
	3234-1100E-xxx	Frame size 2 (swivel front wheels)	1	Pc.
1-4	3232-1110E	Frame size 1	1	Pc.
	3234-1110E	Frame size 2	1	Pc.
2	3231-1120	Front strut bearing	2	Pc.
3	1069-0002	Blind rivet F5x10 black	8	Pc.
4	3202-1130	Block	2	Pc.
5	1114-0027	Threaded bushing 8xM6x32	2	Pc.
6	1111-0012	Saddle washer PA black 24x8.4x3	4	Pc.
7*	1029-6001	Button head socket screw, Tufflock M6x12, with frame colour, 024	2	Pc.
	1029-6001-033	Button head socket screw black, Tufflock M6x12, with frame colour, 032	2	Pc.
8	1030-0612	Button head socket screw with flange M6x12	2	Pc.
9	3202-1140	Saddle bushing for front caster	2	Pc.
10	3202-1151	Cover ring	2	Pc.

* Screw's change with frame colour!

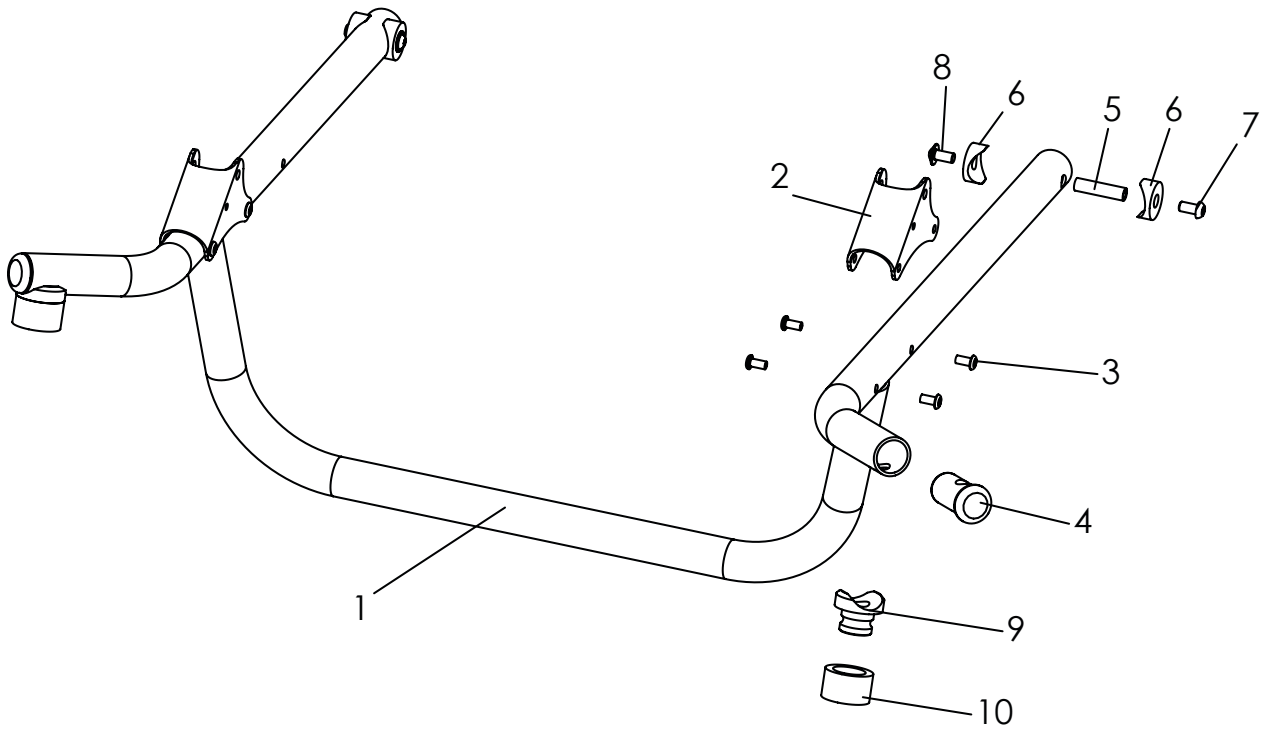
Spare parts



Pos	Article number	Articel description	Quantity	Unit
1-10	3231-1100E-xxx	Frame size 1 (rigid front wheels)	1	Pc.
	3234-1100E-xxx	Frame size 2 (rigid front wheels)	1	Pc.
1-3	3232-1110E-xxx	Frame size 1 (rigid front wheels)	1	Pc.
	3234-1110E-xxx	Frame size 2 (rigid front wheels)	1	Pc.
2	3231-1120-xxx	Front strut bearing	2	Pc.
3	1069-0002	Blind rivet F5x10 black	8	Pc.
4	1114-0027	Threaded bushing 8xM6x32	2	Pc.
5	1111-0012	Saddle washer PA black 24x8.4x3	4	Pc.
6	1030-0612	Button head socket screw with flange M6x12	2	Pc.
7*	1029-6001	Button head socket screw, Tufflock M6x12, <i>with frame colour, 024</i>	2	Pc.
	1029-6001-033	Buttonheadsocketscrew black, Tufflock M6x12, <i>with frame colour, 032</i>	2	Pc.

* Screw`s change with frame colour!

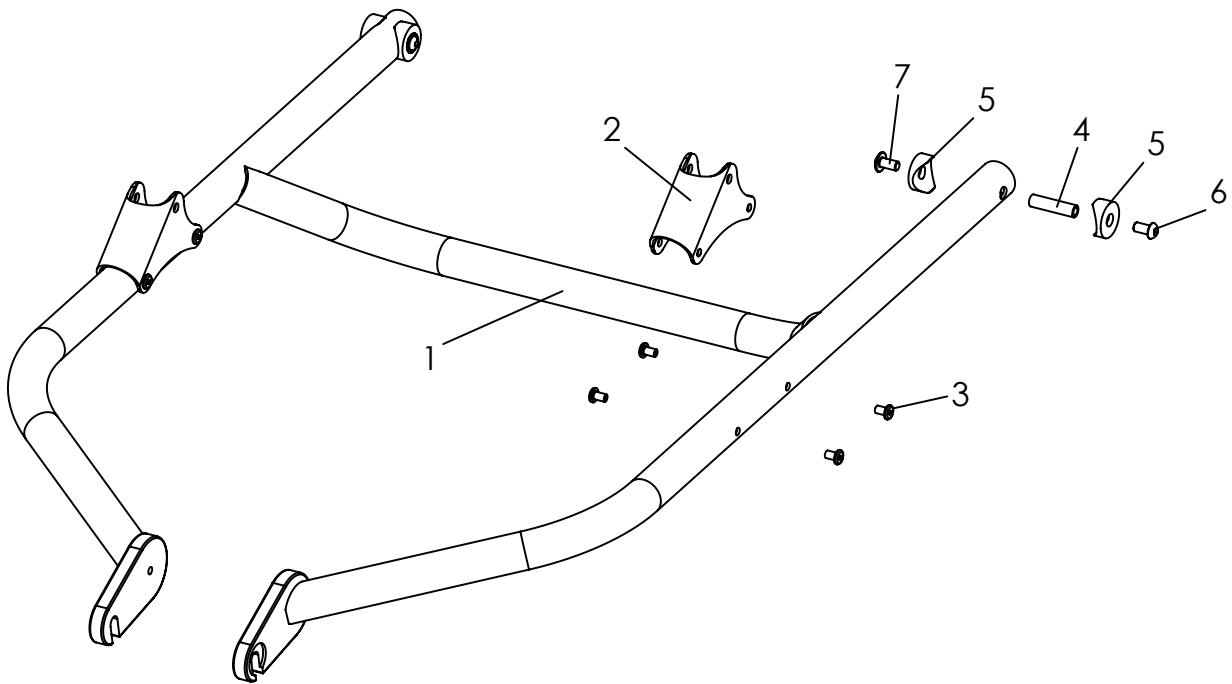
Spare parts



Pos	Article number	Articel description	Quantity	Unit
1-10	3238-1100E-xxx	Front frame for additional equipment size 1, complete	1	Pc.
	3239-1100E-xxx	Front frame for additional equipment size 2, complete	1	Pc.
1-4	3238-1110E-xxx	Front frame for additional equipment size 1	1	Pc.
	3239-1110E-xxx	Front frame for additional equipment size 2	1	Pc.
2	3231-1120	Front strut bearing	2	Pc.
3	1069-0002	Blind rivet F5x10 black	8	Pc.
	3202-1130	Block	2	Pc.
5	1114-0027	Threaded bushing 8xM6x32	2	Pc.
6	1111-0012	Saddle washer PA black 24x8.4x3	4	Pc.
7*	1029-6001	Button head socket screw, Tufflock M6x12, with frame colour, 024	2	Pc.
	1029-6001-033	Buttonheadsocketscrew black, Tufflock M6x12, with frame colour, 032	2	Pc.
8	1030-0612	Button head socket screw with flange M6x12	2	Pc.
9	3202-1140	Saddle bushing for front caster	2	Pc.
10	3202-1151	Cover ring	2	Pc.

* Screw`s change with frame colour!

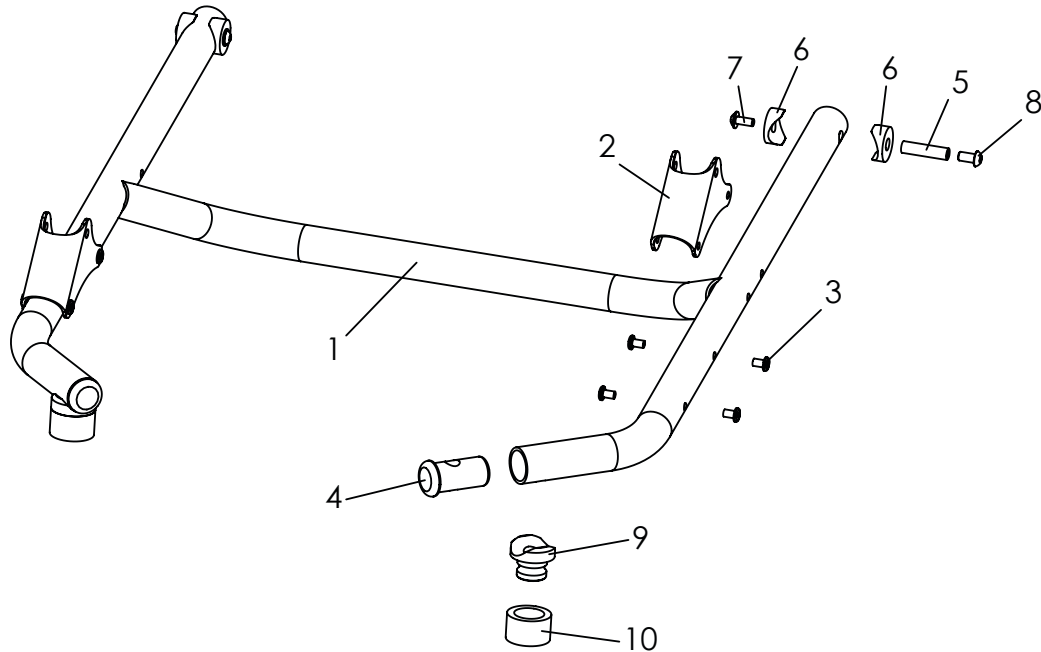
Spare parts



Pos	Article number	Articel description	Quantity	Unit
1-7	3236-1100E-xxx	Trike-Frame size 1, complete	1	Pc.
	3237-1100E-xxx	Trike-Frame size 2, complete	1	Pc.
1-3	3236-1110E-xxx	Trike-Frame size 1	1	Pc.
	3237-1110E-xxx	Trike-Frame size 2	1	Pc.
2	3231-1120	Front strut bearing	2	Pc.
3	1069-0004	Blind rivet F5x10 black	8	Pc.
4	1114-0027	Threaded bushing 8xM6x32	2	Pc.
5	1111-0012	Saddle washer PA black 24x8.4x3	4	Pc.
6*	1029-0612	Button head socket screw, Tufflock M6x12, <i>with frame colour, 024</i>	2	Pc.
	1029-0612-033	Buttonheadsocketscrew black, Tufflock M6x12, <i>with frame colour, 032</i>	2	Pc.
7	1030-0612	Button head socket screw with flange, M6x12	2	Pc.

* Screw`s change with frame colour!

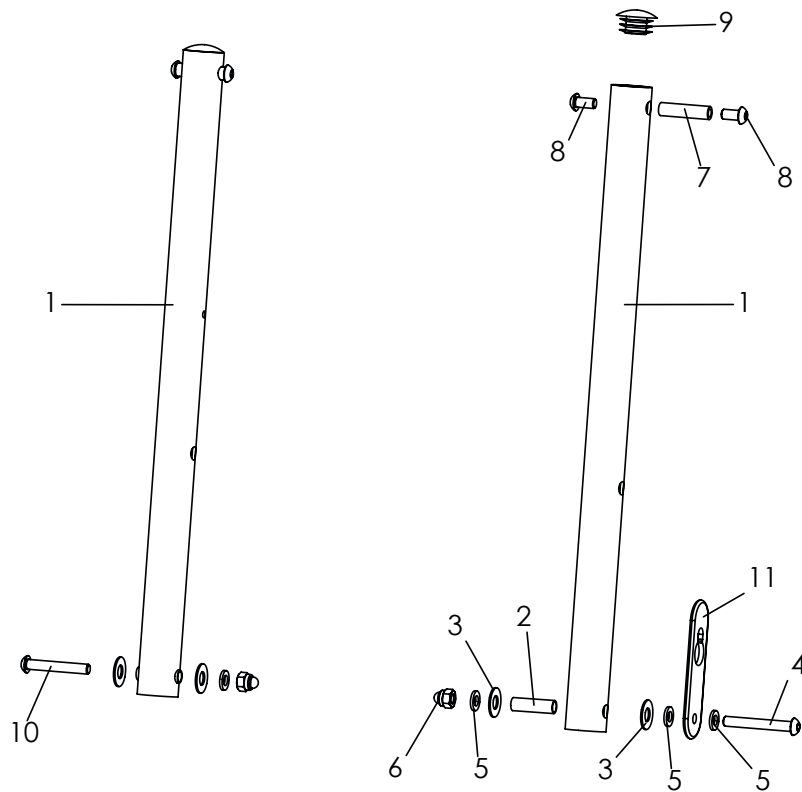
Spare parts



Pos	Article number	Articel description	Quantity	Unit
1-10	3230-1100E-032	Frame Mini (swivel front wheels)	1	Pc.
1-4	3230-1110E-032	Frame Mini (swivel front wheels)	1	Pc.
2	3231-1120	Front strut bearing	2	Pc.
3	1069-0004	Blind rivet F5x10 black	8	Pc.
4	3202-1130	Block	2	Pc.
5	1114-0027	Threaded bushing 8xM6x32	2	Pc.
6	1111-0012	Saddle washer PA black 24x8.4x3	4	Pc.
7	1029-0612	Button head socket screw with flange M6x12	2	Pc.
8*	1029-6001	Button head socket screw, Tufflock M6x12, with frame colour, 024	2	Pc.
	1029-6001-033	Buttonheadsocketscrew black, Tufflock M6x12, with frame colour, 032	2	Pc.
9	3202-1140	Saddle bushing for front caster	2	Pc.
10	3202-1151	Cover ring	2	Pc.

* Screw's change with frame colour!

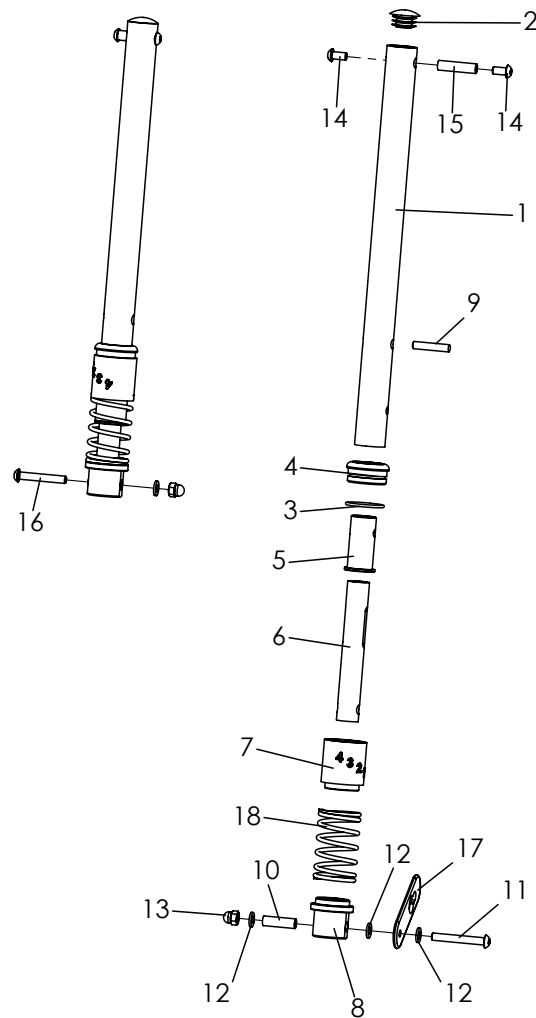
Spare parts



Pos	Article number	Articel description	Quantity	Unit
1-10	3231-1300E-xxx	Front bar, complete	1	Pair
1	3231-1310-xxx	Front bar	2	Pc.
2	1114-0025	Bushing zp 8x0,8x27	2	Pc.
3	1113-0003	Washer PA 18x8,4x1 black	4	Pc.
4	1029-0645	Button head socket screw M6x45	2	Pc.
5	1051-0006	Washer A6,4	4	Pc.
6	1044-0006	Hexagonal domed cap nut self-locking M6	2	Pc.
7	1114-0027	Threaded bushing 8xM6x32	2	Pc.
8*	1029-0612	Button head socket screw, Tufflock M6x12, with frame colour, 024	4	Pc.
	1029-0612-033	Buttonheadsocketscrew black, Tufflock M6x12, with frame colour, 032	4	Pc.
9	1141-0009	Ribbed insert SFL 25x1-2,5	2	Pc.
10*	1029-0640	Button head socket screw, Tufflock M6x40, with frame colour, 024	1	Pc.
	1029-0640-033	Buttonheadsocketscrew black, Tufflock M6x40, with frame colour, 032	1	Pc.
11	3231-1431	Catch strap, left bar.	1	Pc.
	3235-1431	With size 2XL use catch strap long.	1	Pc.

* Screw's change with frame colour!

Spare parts

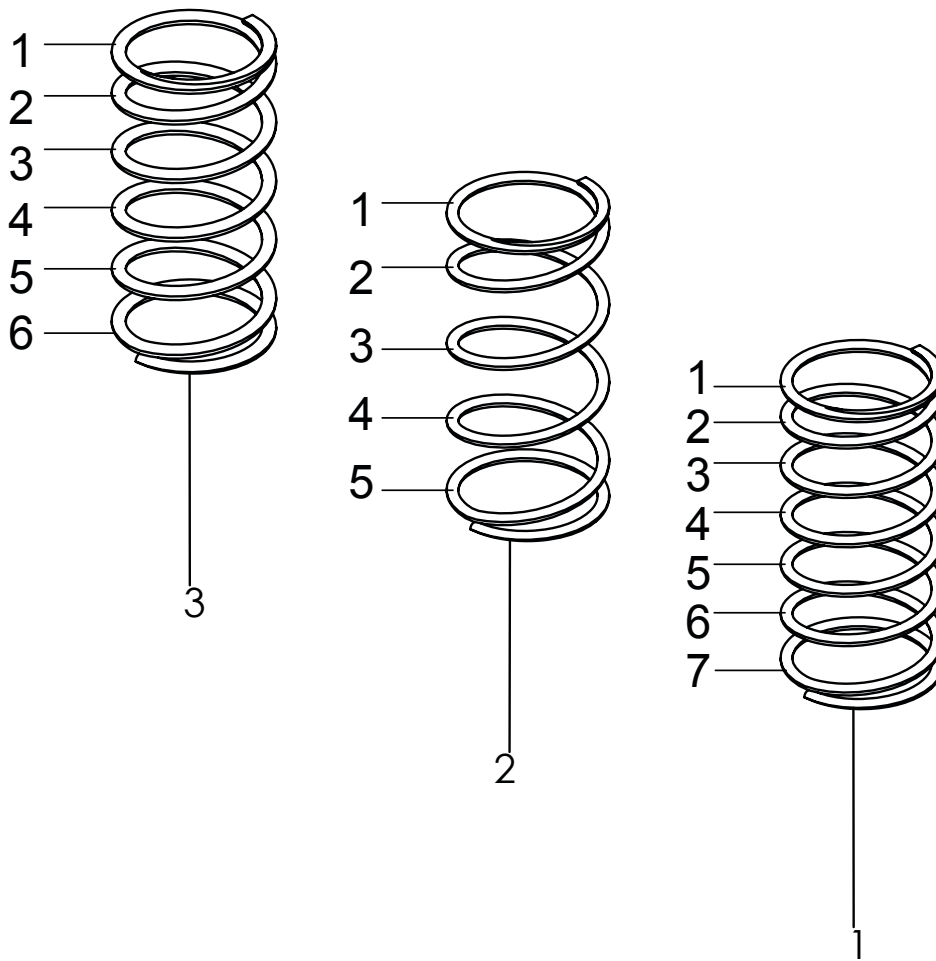


Pos	Article number	Articel description	Quantity	Unit
1-16	3231-7400E-xxx	Frame suspension system, fourfold adjustable, complete	1	Set
1	3231-7431-xxx	Front suspension bar	2	Pc.
2	1141-0009	Ribbed insert SFL 25x1-2,5	2	Pc.
3	1150-0012	O-Ring NBR 70 DIN/ISO 3771 28x2	2	Pc.
4	3231-7436	End bushing	2	Pc.
5	3231-7435	Guiding bushing, suspension	2	Pc.
6	3231-7433-006	Guide tube suspension anodised	2	Pc.
7	3231-7434	Spring hanger (at the top)	2	Pc.
8	3231-7432	Spring hanger (at the bottom)	2	Pc.
9	1071-0630	Parallel pin DIN/ISO 7 6 m6x30	2	Pc.
10	1114-0025	Bushing zp 8x0,8x27	2	Pc.
11	1029-0645	Button head socket screw M6x45	1	Pc.
12	1051-0006	Washer A6,4	4	Pc.
13	1044-0006	Hexagonal domed cap nut self-locking M6	2	Pc.
14*	1029-0612	Button head socket screw, Tufflock M6x12, with frame colour, 024	4	Pc.
	1029-0612-033	Buttonheadsocketscrew black, Tufflock M6x12, with frame colour, 032	4	Pc.
15	1114-0027	Threaded bushing 8xM6x32	2	Pc.
16*	1029-0640	Button head socket screw, Tufflock M6x40, with frame colour, 024	1	Pc.
	1029-0640-033	Buttonheadsocketscrew black, Tufflock M6x40, with frame colour, 032	1	Pc.
17	3231-1431	Catch strap	1	Pc.
	3235-1431	Catch strap 2XL	1	Pc.
18	1331-901X	Coil spring	1	Pc.

For the corect spring please see next page!

** Screw's change with frame colour!*

Spare parts



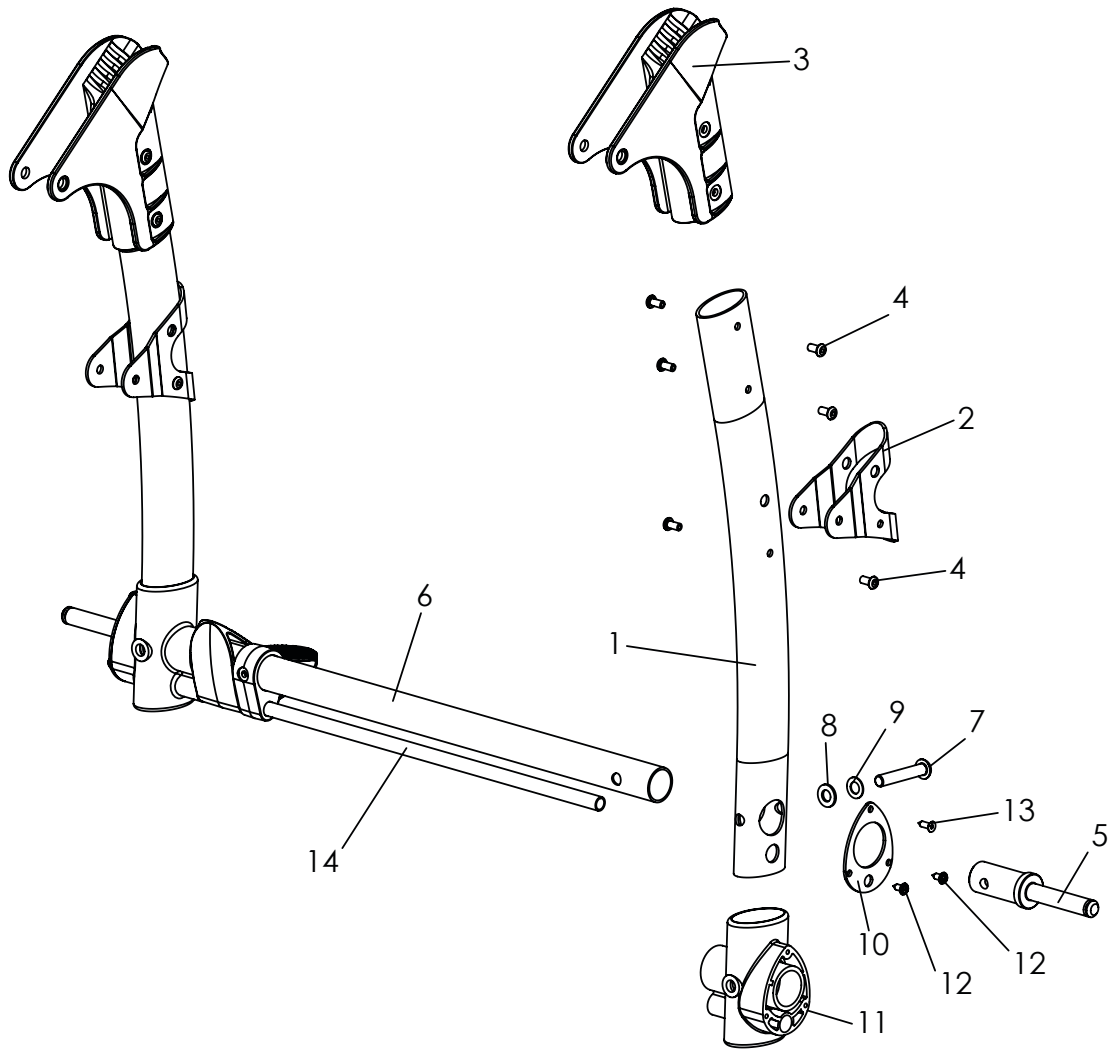
Pos	Article number	Articel description	Quantity	Unit
1	1131-9017E-022	Spring set for load up to 15kg, standard color, signal white	1	Set
	1131-9017E-xxx	Spring set for load up to 15kg, colour code for upholstery	1	Set
2	1131-9018E-022	Spring set for load up to 25kg, standard color, signal white	1	Set
	1131-9018E-xxx	Spring set for load up to 25kg, colour code for upholstery	1	Set
3	1131-9019E-022	Spring set for load from 25kg, standard color, signal white	1	Set
	1131-9019E-xxx	Spring set for load from 25kg, colour code for upholstery	1	Set

With order replace **xxx** with colour code!

338	339	340	344	345
sand / irongrey	turquoise / irongrey	pink / irongrey	black diamond / irongrey	red / irongrey

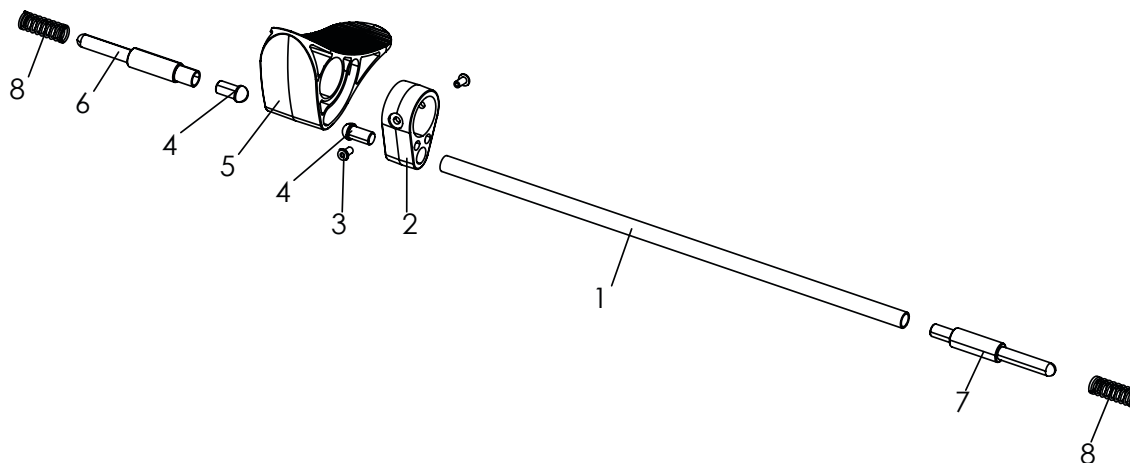
1131-9018E-yellow	Spring set for load up to 25kg, yellow	1	Set
1131-9019E-red	Spring set for load from 25kg, red	1	Set

Spare parts



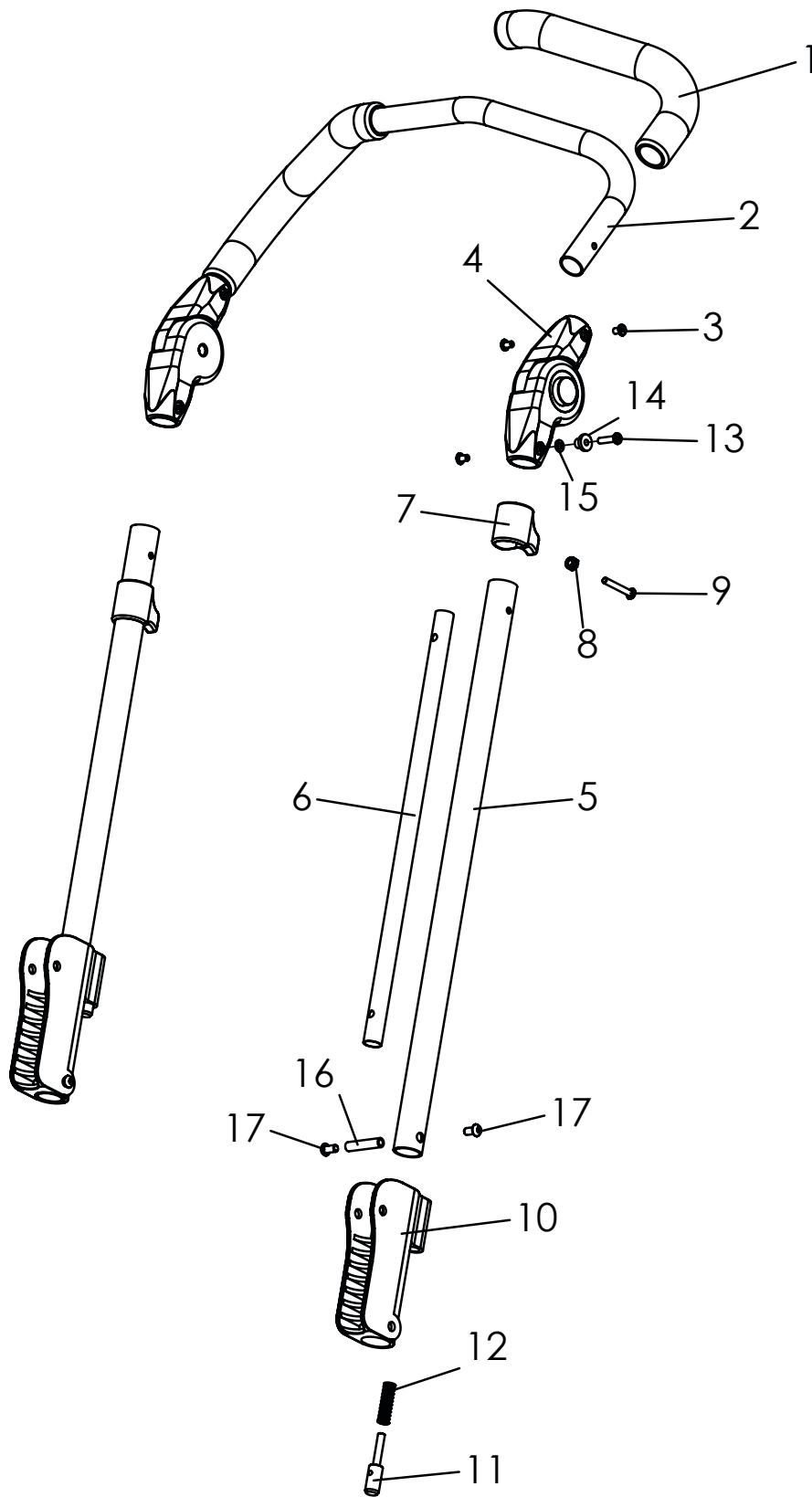
Pos	Article number	Articel description	Quantity	Unit
1-13	3231-1200E-xxx	Rear frame, Gr. 1, komplett	1	Pc.
	3233-1200E-xxx	Rear frame, Gr. 2, komplett	1	Pc.
1-4	3231-1211E-xxx	Side bar rear, incl. joint bandage	2	Pc.
1	3231-1211-xxx	Side bar rear, incl. joint bandage	2	Pc.
2	3231-1212-xxx	Joint bandage	2	Pc.
3	3231-1213	Rear frame hinge	2	Pc.
4	1069-0004	Blind rivet F4,8x10 black	12	Pc.
5	3201-1240	Axle stump	2	Pc.
6	3201-1220E-xxx	Axle tube size 1	1	Pc.
	3203-1220E-xxx	Axle tube size 2	1	Pc.
7	1029-0845	Button head socket screw M8x45	2	Pc.
8	1051-0008	Washer A8,4	2	Pc.
9	1052-0008	Spring washer B8	2	Pc.
10-12	3201-1280E	Connector with fasteners	2	Pc.
10	3201-1281	Stabilizer	2	Pc.
11	3201-1280	Connector	2	Pc.
12	1039-0001	Screw for plastic, cross rcessed pan head w. flange 4x10	2	Pc.
13	1039-0006	Tapping screw with countersunk head	1	Pc.
14	3201-1301-xxx	Break, see next page!	1	Pc.

Spare parts



Pos	Article number	Articel description	Quantity	Unit
1-8	3201-1300E-xxx	Break size 1, complete	1	Pc.
	3203-1300E-xxx	Break size 2, complete	1	Pc.
1	3201-1311-xxx	Break rod DURO size 1	1	Pc.
	3203-1311-xxx	Break rod DURO size 2	1	Pc.
2	3201-1320	Wheel lock rod retainer	1	Pc.
3	1062-0408	Blind rivet F4x8	2	Pc.
4	3201-1340	Slide insert	2	Pc.
5	3201-1310	Wheel lock lever	1	Pc.
6	3201-1350	Lock pin, left	1	Pc.
7	3201-1360	Lock pin right	1	Pc.
8	1131-0034	Compression spring D-180Q	2	Pc.

Spare parts

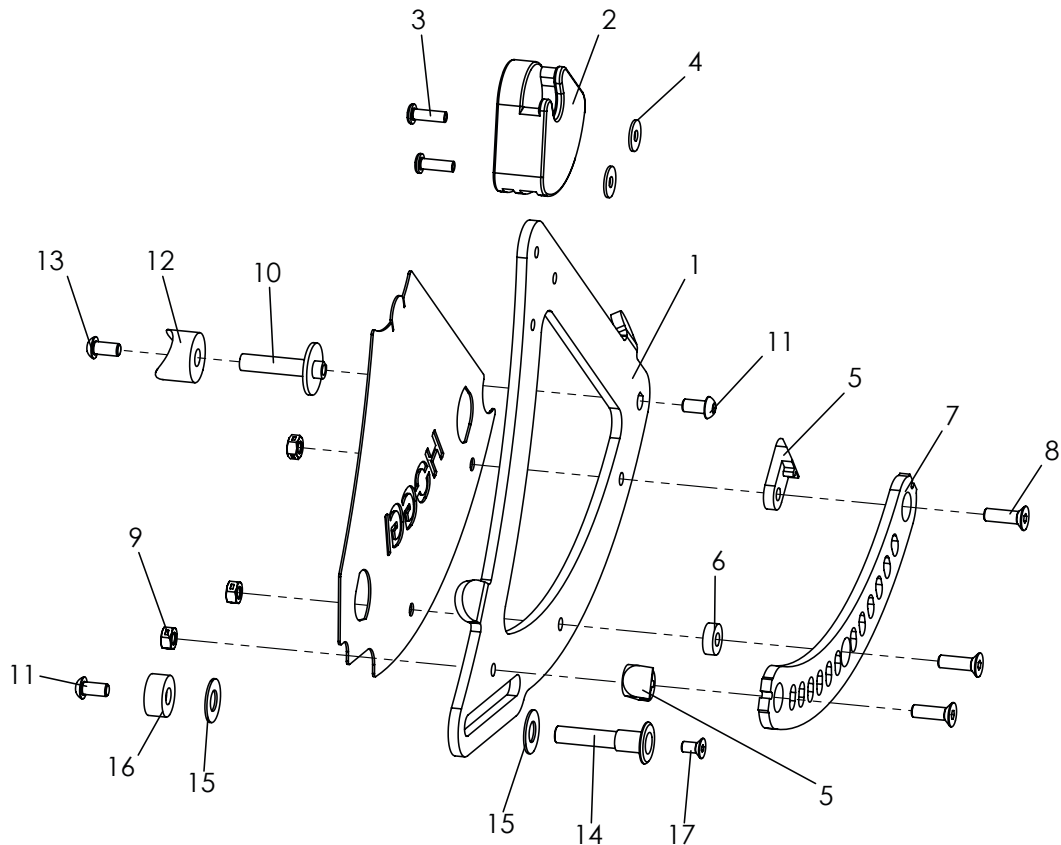


Spare parts

Pos	Article number	Articel description	Quantity	Unit
1-17	3231-1400E-xxx	Push bar size 1	1	Pc.
	3233-1400E-xxx	Push bar size 2	1	Pc.
	3235-1400E-xxx	Push bar size 2XL	1	Pc.
1	1143-0001	Handle grip, black	2	Pc.
2-3	3201-1420E-xxx	Upper part push handle size 1, with fastemers	1	Pc.
	3203-1420E-xxx	Upper part push handle size 2, with fastemers	1	Pc.
	3233-1420Exxx	Upper part push handle size 2XL, with fastemers	1	Pc.
2	3201-1420-xxx	Push bar size 1	1	Pc.
	3203-1420-xxx	Push bar size 2	1	Pc.
	3233-1421-xxx	Push bar size 2 XL	1	Pc.
3*	1069-0003	Blind rivet F5x8 black, <i>with frame colour 032</i>	7	Pc.
	1062-0508	Blind rivet F5x8 silver, <i>with frame colour 024</i>	7	Pc.
4	1129-0009	Ratchet joint 25x22	1	Pair
5	3231-1412-xxx	Push bar bottom part size 1 and 2	2	Pc.
	3235-1414-xxx	Push bar bottom part size 2 XL	2	Pc.
6	3231-1415	Guide rail size 1 and 2	2	Pc.
	3235-1415	Guide rail size 3	2	Pc.
7	3231-1414	Activator	2	Pc.
8	1042-0005	Hexagon nut self-locking zp DIN/ISO 985 M5	2	Pc.
9	1034-0535	Torxscrew M5x35	4	Pc.
10	3231-1411	Push handle joint	2	Pc.
11	3231-1413	Folding-security bolt	2	Pc.
12	1131-0043	Compression spring D-143F	2	Pc.
13	1062-0520	Blind rivet F5x20	1	Pc.
14	3231-1432	Shoulder bushing black	1	Pc.
15	1051-0005	Washer A5,3	1	Pc.
16	1114-0028	Threaded bushing 8xM6x38	2	Pc.
17*	1029-0612	Button head socket screw, Tufflock M6x12, <i>with frame colour, 024</i>	4	Pc.
	1029-0612-033	Buttonheadsocketscrew black, Tufflock M6x12, <i>with frame colour, 032</i>	4	Pc.

* Screw`s and rivet`s change with frame colour!

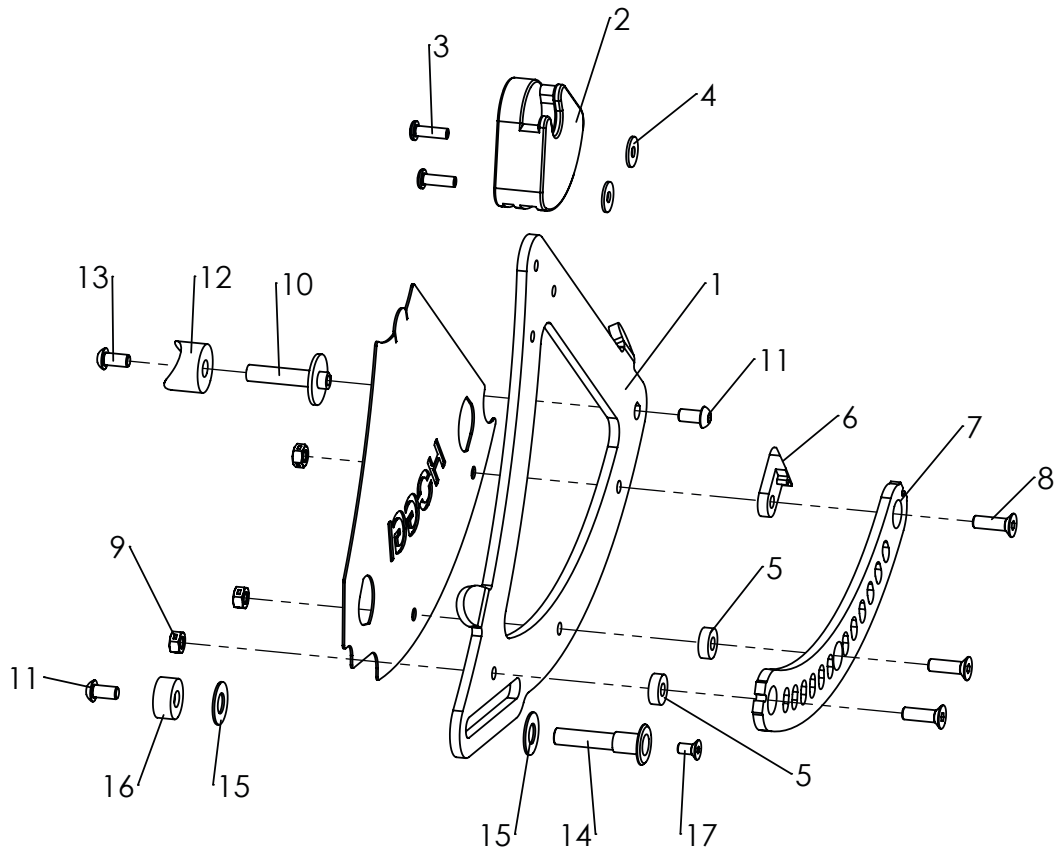
Spare parts



Pos	Article number	Articel description	Quantity	Unit
1-17	3231-1510E-xxx	Seat Bearing left size 1 and 2, complete, displayed	1	Pc.
	3231-1520E-xxx	Seat Bearing right size 1 and 2, complete	1	Pc.
1-4	3231-1511E-xxx	Seat Bearing left, with fasteners	1	Pc.
	3231-1512E-xxx	Seat Bearing right, with fasteners	1	Pc.
2	3231-1516	Scantlings bearing	1	Pc.
3	1062-0516	Blind rivet F5x16	2	Pc.
4	1055-0005	Washer A5,3	2	Pc.
5	3231-1514	Latch ramp	2	Pc.
6	1113-0051	Washer PA 6,4x15x5	1	Pc.
7	3231-1513-006	Scantlings rail	1	Pc.
8*	1024-0620	Hexagon socket countersunk head screw silver M6x20, with frame colour 024	3	Pc.
	1024-0620-033	Hexagon socket countersunk head screw black M6x20, with frame colour 032	3	Pc.
9*	1049-0068	BILOC-nut M6 silver, with frame colour 024	3	Pc.
	1049-0070-033	BILOC-nut M6 black, with frame colour 032	3	Pc.
10	3231-1515	Bearing shaft	1	Pc.
11	1029-0612	Button head socket screw M6x12	2	Pc.
12	1111-0013	Saddle washer PA black 24x8.4x10	1	Pc.
13	1029-6001	Button head socket screw Tufflock M6x12	1	Pc.
14	3231-1517	Gudie shaft seat bearing	1	Pc.
15	1113-0056	Washer PA natural 10,5x21,0x0,8 mm	2	Pc.
16	3231-1518	Distance bearing	1	Pc.
17	1024-0510	Hexagon socket countersunk head screw M5x10	1	Pc.

* Screw's change with frame colour!

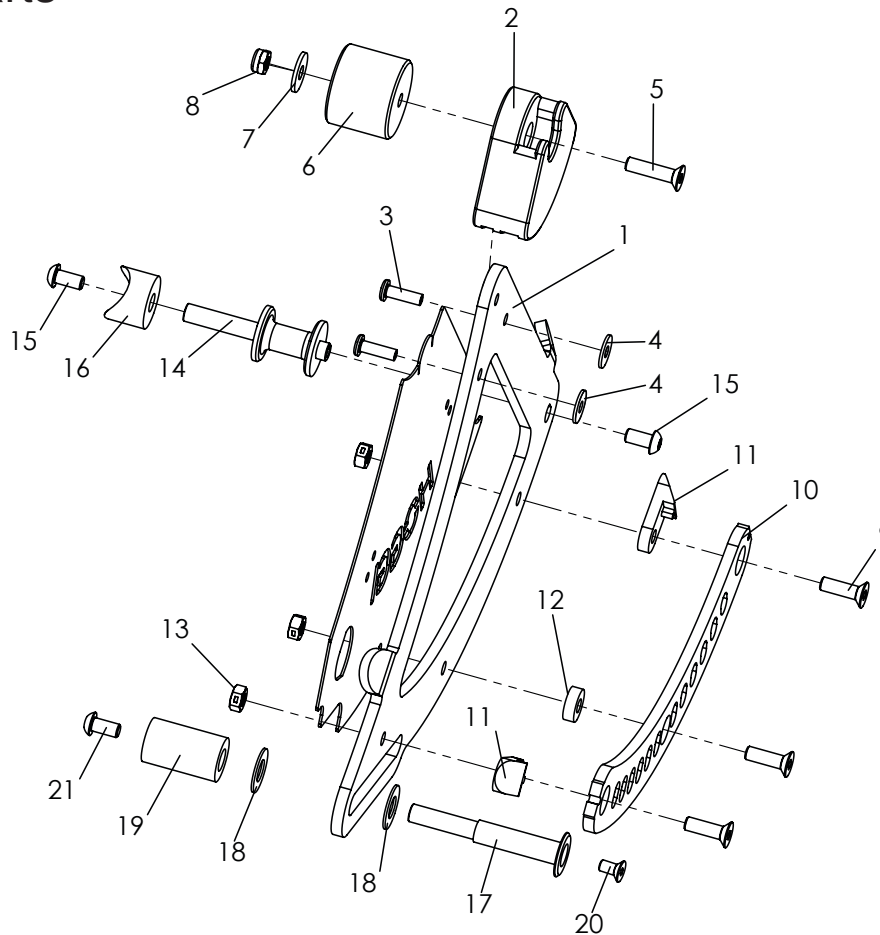
Spare parts



Pos	Article number	Articel description	Quantity	Unit
1-17	3231-1510E-xxx	Seat Bearing left, complete, displayed only for size 2XL	1	Pc.
	3231-1520E-xxx	Seat Bearing right, complete, only for size 2XL	1	Pc.
1-4	3231-1511E-xxx	Seat Bearing left, with fasteners	1	Pc.
	3231-1512E-xxx	Seat Bearing right, with fasteners	1	Pc.
2	3231-1516	Scantlings bearing	1	Pc.
3	1062-0516	Blind rivet F5x16	2	Pc.
4	1055-0005	Washer A5,3	2	Pc.
5	1113-0051	Washer PA 6,4x15x5	2	Pc.
6	3231-1514	Latch ramp	1	Pc.
7	3231-1513-006	Scantlings rail	1	Pc.
8*	1024-0620	Hexagon socket countersunk head screw silver M6x20, with frame colour 024	3	Pc.
	1024-0620-033	Hexagon socket countersunk head screw black M6x20, with frame colour 032	3	Pc.
9*	1049-0068	BILOC-nut silver M6 with frame colour 024	3	Pc.
	1049-0070-033	BILOC-nut black M6 with frame colour 024	3	Pc.
10	3231-1515	Bearing shaft	1	Pc.
11	1029-0612	Button head socket screw M6x12	2	Pc.
12	1111-0013	Saddle washer PA black 24x8.4x10	1	Pc.
13	1029-6001	Button head socket screw, Tufflock M6x12	1	Pc.
14	3231-1517	Guided shaft seat bearing	1	Pc.
15	1113-0056	Washer PA natural 10,5x21,0x0,8 mm	2	Pc.
16	3231-1518	Distance bearing	1	Pc.
17	1024-0510	Hexagon socket countersunk head screw M5x10	1	Pc.

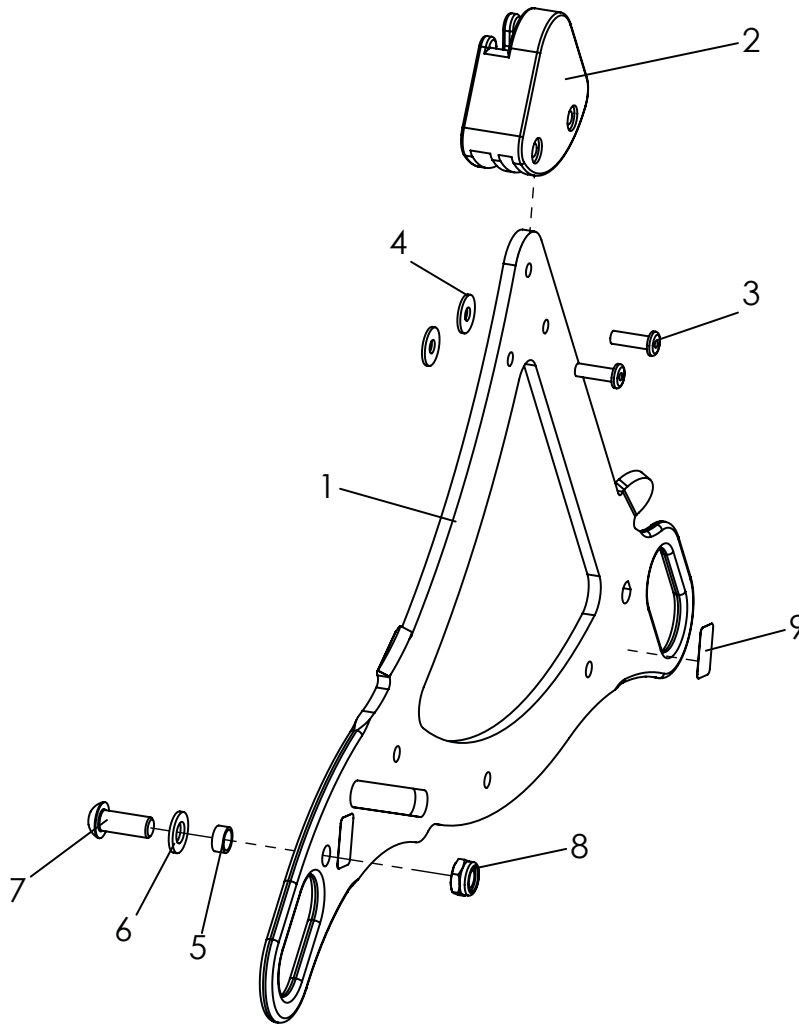
* Screw`s change with frame colour!

Spare parts



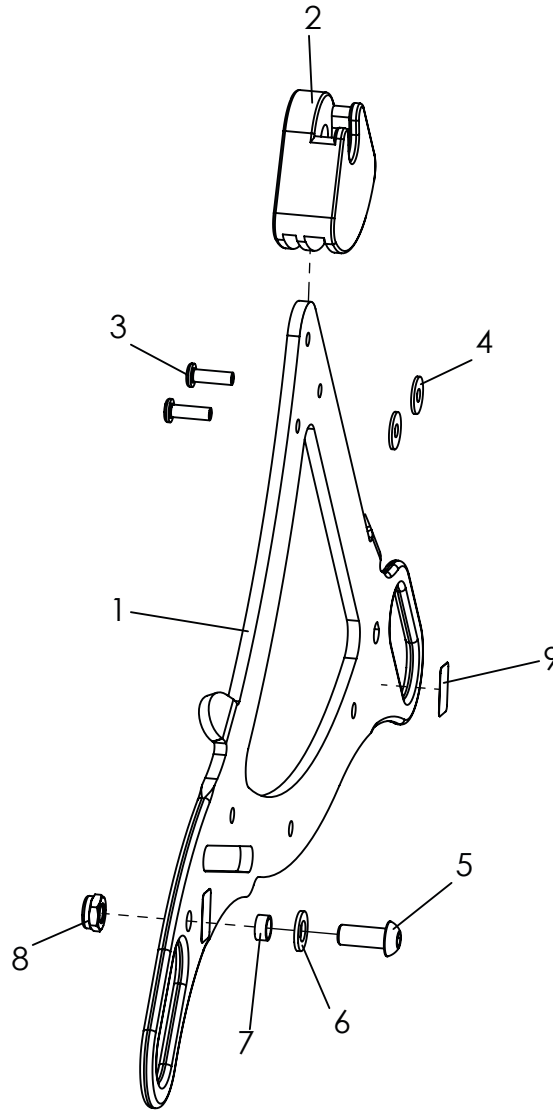
Pos	Article number	Articel description	Quantity	Unit
1-21	3230-1510E-xxx	Seat Bearing left, complete, displayed only for Mini	1	Pc.
	3230-1520E-xxx	Seat Bearing right, complete, only for Mini	2	Pc.
1-4	3230-1511E-xxx	Seat Bearing Mini left, with fasteners	1	Pc.
	3230-1512E-xxx	Seat Bearing Mini right, with fasteners	1	Pc.
1	3230-1511-xxx	Sitzlagerplatte, links	1	Pc.
	3230-1512-xxx	Sitzlagerplatte, rechts	1	Pc.
2	3230-1516	Scantlings bearing Mini	1	Pc.
3	1062-0516	Blind rivet F5x16	2	Pc.
4	1055-0005	Washer A5,3	2	Pc.
5	1024-0625	Hexagon socket countersunk head screw M6x25	1	Pc.
6	3230-1519	Distance piece for Mini	1	Pc.
7	1055-0006	Washer A6,4	1	Pc.
8	1042-0006	Hexagon nut self-locking M6	1	Pc.
9	1024-0620-033	Hexagon socket countersunk head screw black M6x20	3	Pc.
10	3231-1513-006	Scantlings rail	1	Pc.
11	3231-1514	Latch ramp	2	Pc.
12	1113-0051	Washer PA 6,4x15x5	1	Pc.
13	1049-0070-033	BILOC-nut black M6	3	Pc.
14	3230-1515-033	Bearing shaft mini black	1	Pc.
15	1029-6001	button head socket screw, Tufflock M6x12	2	Pc.
16	1111-0013	Saddle washer PA black 24x8.4x10	1	Pc.
17	3230-1517-008	Guided shaft seat bearing for Mini	1	Pc.
18	1113-0056	Washer PA natural 10,5x21,0x0,8 mm	2	Pc.
19	3230-1518-007	Distance piece, Guided shaft for Mini	1	Pc.
20	1024-0510	Hexagon socket countersunk head screw M5x10	1	Pc.
21	1029-0612	Button head socket screw M6x12	1	Pc.

Spare parts



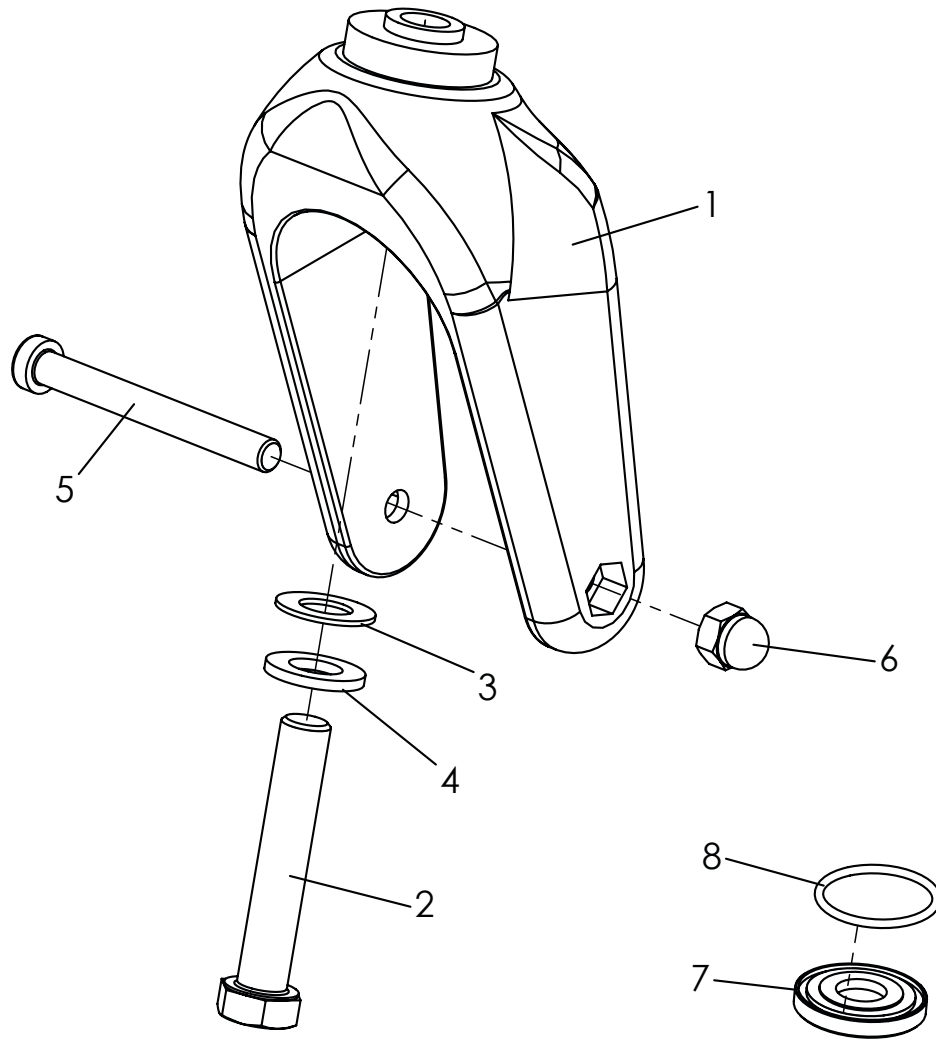
Pos	Article number	Articel description	Quantity	Unit
1-9	3231-7300E-xxx	Tie down kit	1	Set
1-4	3231-7311E-xxx	Seat bearing plate with lashing eyes, right	1	Pc.
	3231-7312E-xxx	Seat bearing plate with lashing eyes, left	1	Pc.
2	3231-1516	Scantlings bearing Mini	2	Pc.
3	1062-0516	Blind rivet F5x16	4	Pc.
4	1055-0005	Washer A5,3	4	Pc.
5	3201-7350	Slide bushing	2	Pc.
6	1051-0008	Washer A8,4	2	Pc.
7	1029-0820	Button head socket screw M8x20	2	Pc.
8	1042-0008	Hexagon nut self-locking M8	2	Pc.
9	1914-0007	Adhesive lable with hook symbol (4 pcs.)	1	Pc.

Spare parts



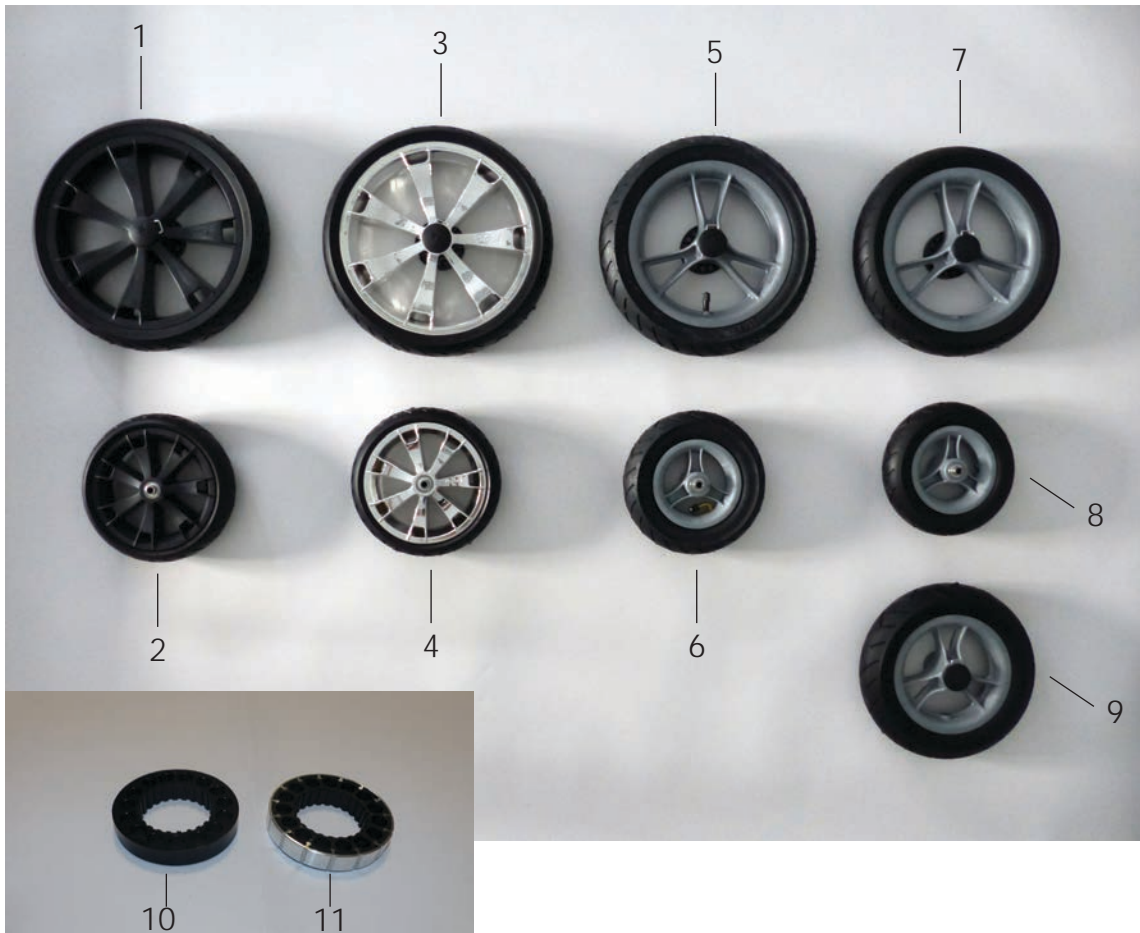
Pos	Article number	Articel description	Quantity	Unit
1-13	3230-7300E	Tie down kit Mini	1	Pc.
1	3231-7311E-xxx	Seat bearing plate with lashing eyes, left	1	Pc.
	3231-7312E-xxx	Seat bearing plate with lashing eyes, right	1	Pc.
2	3230-1516	Scantlings bearing Mini	2	Pc.
3	1062-0516	Blind rivet F5x16	4	Pc.
4	1055-0005	Washer A5,3	4	Pc.
5	1029-0820	Slide bushing	2	Pc.
6	1051-0008	Washer A8,4	2	Pc.
7	3201-7350	Button head socket screw M8x20	2	Pc.
8	1042-0008	Hexagon nut self-locking M8	2	Pc.
9	1914-0007	Adhesive lable with hook symbol (4 pcs.)	1	Pc.

Spare parts



Pos	Article number	Articel description	Quantity	Unit
1-6	1281-0007E	Castor fork with fasteners	1	Pc.
1	1281-0007	Castor fork LG-K-200-12 schw 200x60	1	Pc.
2	1012-1265	Hexagon head screw M12x65	1	Pc.
3	1051-0012	Washer 125 A	1	Pc.
4	1052-0012	Spring washer B12	1	Pc.
5	1022-0875	Hexagon socket head cap screw M8x75	1	Pc.
6	1044-0008	Hexagonal domed cap nut self-locking M8	1	Pc.
7-8	3202-7120E	Sealing for steering fork bearing for two forks	1	Set
7	3224-1174	Sealing disc caster fork	2	Pc.
8	1150-0018	O-ring 26x2	2	Pc.

Spare parts



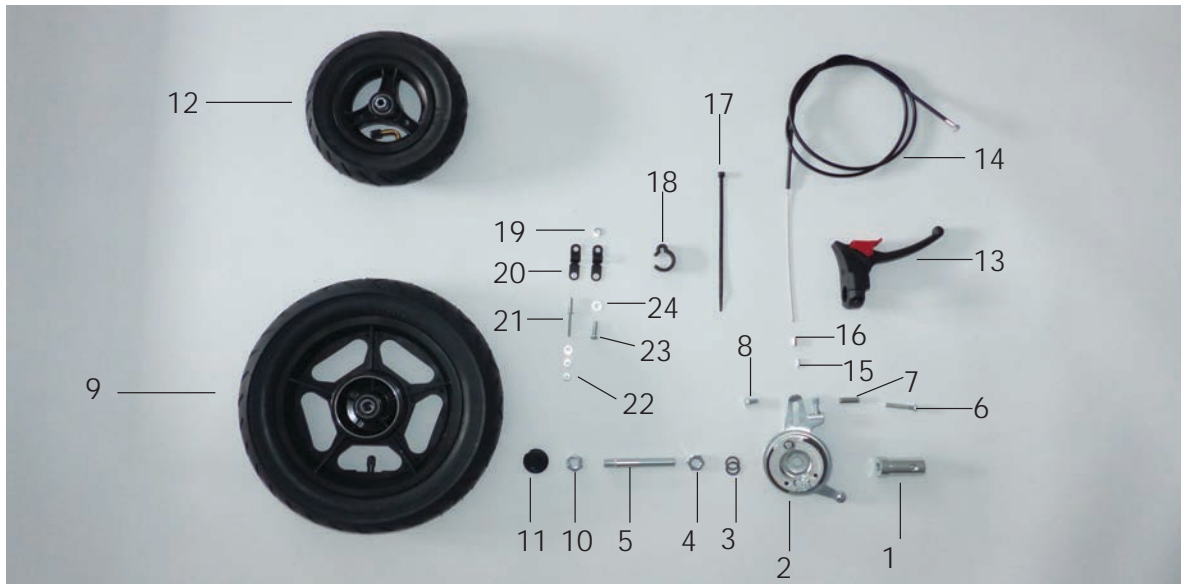
Pos	Article number	Articel description	Quantity	Unit
1	1221-3063E	PU-Wheel R300/60 black rim, with break disc, plastic	2	Pc.
	1221-3064	PU-Rad R300/60 black rim, break disk with alloy ring	2	Pc.
2	1221-2049	PU-Rad 200x48, black rim	2	Pc.
3	1221-3061E	PU-Rad 300x60, chromed rim with break disk, plastic	2	Pc.
	1221-3062	PU-Rad 300x60, chromed rim and break disk with alloy ring	2	Pc.
4	1221-2048	PU-Rad 200x48, rim chromed	2	Pc.
5	1211-2961E	Luftrad 290x60, rim grey, with break disk plastic	2	Pc.
	1211-2962	Luftrad 290x60, rim grey and break disc with alloy ring	2	Pc.
6	1211-1950	Luftrad 190x50, rim grey	2	Pc.
7	1221-2961	PU-Rad 290x60, rim grey with break disc, plastic	2	Pc.
	1221-2962	PU-Rad 290x60, rim grey and break disk with alloy ring	2	Pc.
8	1221-1950	PU-Rad 190x50, rim grey	2	Pc.
9	1211-0019	Pneumatic 250x250, rim grey (rigid frame, front wheels)	2	Pc.
	1221-0019	PU-Rad 250x250, rim grey (rigid frame, front wheels)	2	Pc.
10	1204-0002	Brake disc, plastic	2	Pc.
11	1204-0005	Brake disc with alloy-ring	2	Pc.
	1200-0001	Tire for wheel 290x60	1	Pc.
	1200-0002	Tire for wheel 190x50	1	Pc.
	1201-0001	Tube for wheel 290 x 60	1	Pc.
	1201-0002	Tube for wheel 190x50	1	Pc.

Spare parts



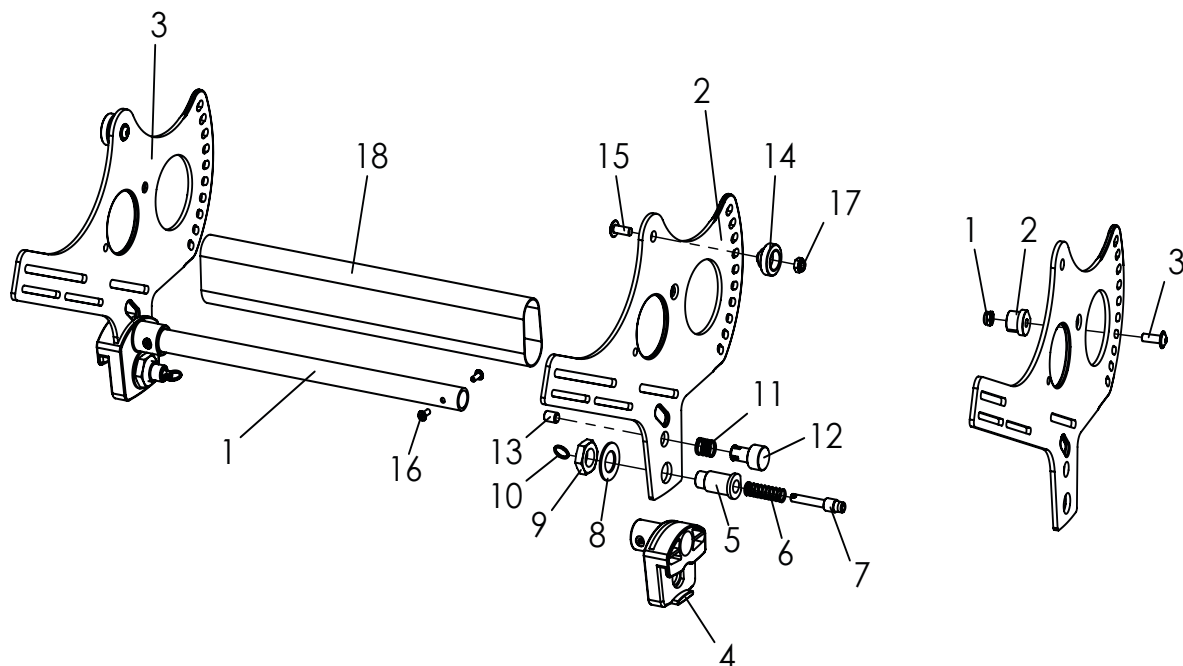
Pos	Article number	Articel description	Quantity	Unit
1-3	1211-2961	Pneumatic wheel 290x60, quick release	1	Pc.
	1221-2961	PU-Wheel 290x60, quick release	1	Pc.
2-4	1209-0011	Distance ring, plastic	1	Pc.
3	1090-0002	Grooved ball bearing 6201	1	Pc.
4	1211-0024	Pneumatic 290x60, 5 spoke wheel black, quick release	1	Pc.
	1221-0035	PU-Wheel 290x60, 5 Spoke wheel black, quick release	1	Pc.
5	1205-0004	Quick release 128mm for hollow axle	1	Pc.
6	3206-1160	Pressure bushing L 23	1	Pc.
7	3206-1150	Pressure bushing L 19	1	Pc.
8	3026-1140	Axel	1	Pc.

Spare parts



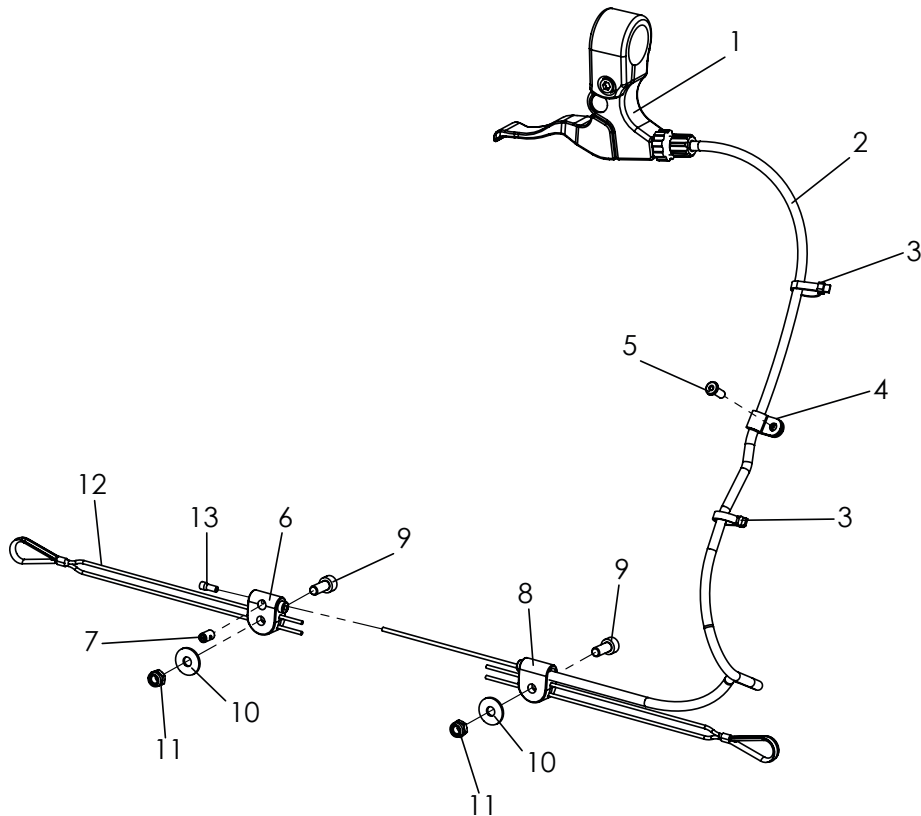
Pos	Article number	Articel description	Quantity	Unit
1-24	1219-0029E	Drum brake wheels, pneumatic tyres,black 5-spoke rim, rigid front wheels	1	Set
	1229-0029E	Drum brake wheels, PU tyres,black 5-spoke rim, rigid front wheels	1	Set
	1219-0030E	Drum brake wheels, pneumatic tyres,black 5-spoke rim, swivelling front wheels	1	Set
	1229-0030E	Drum brake wheels, PU tyres,black 5-spoke rim, swivelling front wheels	1	Set
	1219-0031E	Drum brake wheels, pneumatic tyres, black 5-spoke rims, TRIKE	1	Set
	1229-0031E	drum brake wheels, PU tyres,black 5-spoke rim, TRIKE	1	Set
1	3201-1271	Bracket	2	Pc.
2	1205-0041	Brake plate steel left with 12 mm hole	1	Pc.
	1205-0042	Brake plate steel right with 12 mm hole	1	Pc.
3	1051-0012	Washer A 13	2	Pc.
4	1043-0012	Hexagon nut M12	2	Pc.
5	3201-1242	Axle bolt	2	Pc.
6	1029-0635	Button head socket screw M6x35	2	Pc.
7	1114-0052	Threaded bushing 8xM6x23	2	Pc.
8	1030-0614	Button head socket screw with flange M6x14	2	Pc.
9	1219-0032	Pneumatic wheel 310x55, black 5 spoke plastic rim, drum brake left side	1	Set
	1219-0033	Pneumatic wheel 310x55, 5 spoke plastic rim, drum brake right side	1	Set
	1229-0025	PU-wheel 290x60, 5 spoke plastic rim, drum brake left side	1	Set
	1229-0026	PU-wheel 290x60, 5 spoke plastic rim, drum brake right side	1	Set
10	1049-0065	BILOC-nut M12	2	Pc.
11	1209-0004	Hub cap KN-S-32/12	2	Pc.
12	1211-0017	Pneumatic wheel 190x50 with black 3 spoke plastic rim	2	Pc.
	1221-0017	PU-wheel 190x50 with black 3 spoke plastic rim	2	Pc.
	1211-0025	Pneumatic wheel 250x50, black 5 spoke plastic rim with quick release	2	Pc.
	1221-0036	PU-wheel 250x50, black 5 spoke plastic rim with quick release	2	Pc.
	1211-0024	Pneumatic 5 spoke wheel black, 290x60, quick release	1	Pc.
13	1209-0030	Brake lever 36 ° manually detent 22 mm	2	Pc.
14-16	1209-0001	Bowden wire set 1,5m cable	2	Set
17	1089-0004	Cable tie, black, 5x180	2	Pc.
18	1149-0001	Cable clip D 25	2	Pc.
19	1050-0006	Washer A6,4	2	Pc.
20	1149-0003	Cable clip d 6,4 / 8 mm, black	4	Pc.
21	1062-0516	Blind rivet F5x16	2	Pc.
22	1051-0005	Washer A5,3	6	Pc.
23	1029-0616	Button head socket screw M6x16	2	Pc.
24	1051-0006	Washer A6,4	2	Pc.

Spare parts



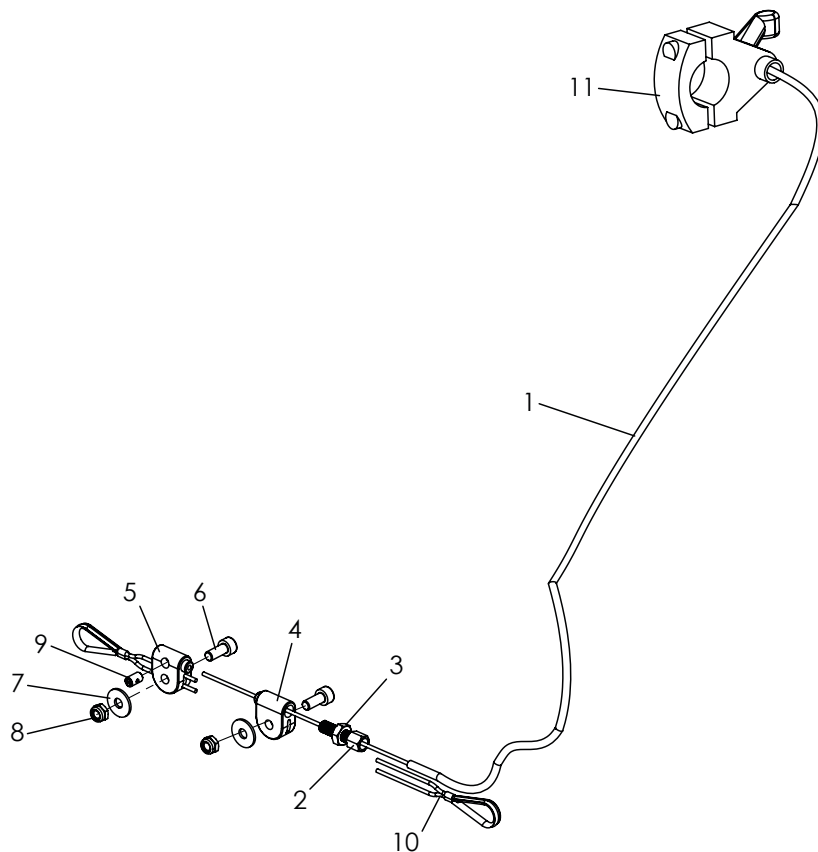
Pos	Article number	Articel description	Quantity	Unit
	3230-2100E-xxx	Seat base Mini, complete	1	Pc.
1-18	3232-2100E-xxx	Seat base size 1, complete	1	Pc.
	3234-2100E-xxx	Seat base size 2, complete	1	Pc.
	3235-2100E-xxx	Seat base size 2XL, complete	1	Pc.
	3230-2119-xxx	Cross strut, seat Mini	1	Pc.
1	3231-2119-xxx	Cross strut, seat size 1	1	Pc.
	3233-2119-xxx	Cross strut, seat size 2	1	Pc.
2	3230-2121-007	Side plate seat base Mini, left	1	Pc.
3	3230-2122-007	Side plate seat base Mini, right	1	Pc.
	3231-2121-007	Side plate, seat base size 1 and 2, left	1	Pc.
	3231-2122-007	Side plate, seat base size 1 and 2, right	1	Pc.
	3235-2121-007	Side plate, seat base size 2XL, left	1	Pc.
	3235-2122-007	Side plate, seat base size 2XL, right	1	Pc.
4	3231-2114	Scantlings guide	2	Pc.
5	3231-2115	Locking bolt housing	2	Pc.
6	1131-0070	Compression D-162	2	Pc.
7	3240-2422	Locking bolt	2	Pc.
8	1052-0016	Spring washer B16	2	Pc.
9	1040-0016	Hexagon nut 16x1,5	2	Pc.
10	1129-0036	Key ring 16x1,6	2	Pc.
11	1131-0065	Compression spring D-117J	1	Pc.
12	3231-2124	Lock button	1	Pc.
13	1031-0812	Hexagon socket set screw M8x12	1	Pc.
14	3231-2113	Scantlings shaft	2	Pc.
15	1030-0616	Button head socket screw with flange M6x16	2	Pc.
16	1062-0410	Blind rivet F4x10	4	Pc.
17	1042-0006	Hexagon nut self-locking M6	2	Pc.
18	3231-2140	cover for tilt mechanism size 1	1	Pc.
18.1	3233-2140	cover for tilt mechanism size 2	1	Pc.
1-3	<i>Limitation of back tilt</i>	<i>Size 2XL, to be mounted fourth hole from the bottom!</i>	<i>1</i>	<i>Set</i>
1	1042-0006	Hexagon nut self-locking M6	1	Pc.
2	3240-1180	Bearing plug	1	Pc.
3	1030-0618	Button head socket screw with flange M6x18	1	Pc.

Spare parts



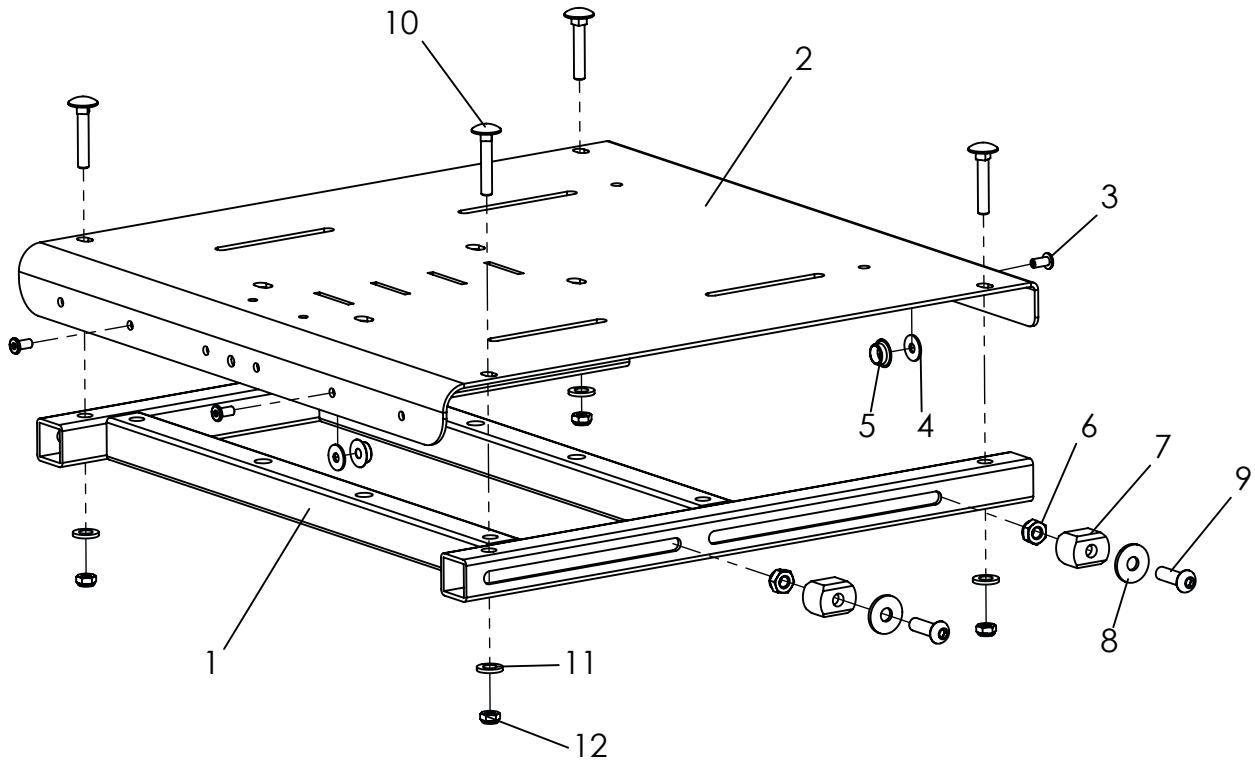
Pos	Article number	Articel description	Quantity	Unit
2-13	3231-1900E	Releaser, tiltingmechanism	1	Pc.
1	1209-0017	Brake lever with splittet bracket, d 22 mm black	1	Pc.
2	1209-0029	Cable BZ-670x780	1	Pc.
3	1089-0007	Cable tie 3,3 x 145	2	Pc.
4	1119-0003	Wire clamp	1	Pc.
5	1062-0410	Blind rivit F4x10	1	Pc.
6	3243-1932	Nipple bearing	1	Pc.
7	1099-0004	Screw nipple 1100, D5x8	1	Pc.
8	3243-1931	Bowden bearing	1	Pc.
9	1021-0512	Cylinder head screw, M5x12	2	Pc.
10	1055-0005	Washer A5,3	2	Pc.
11	1042-0005	Hexagon nut self-locking M5	2	Pc.
12	1129-1001	Universal wire-rope with rope thimble for seat angle adjustment	2	Pc.
13	1209-0007	End cap aluminium U-BA-S for Bowden cable wire	1	Pc.

Spare parts



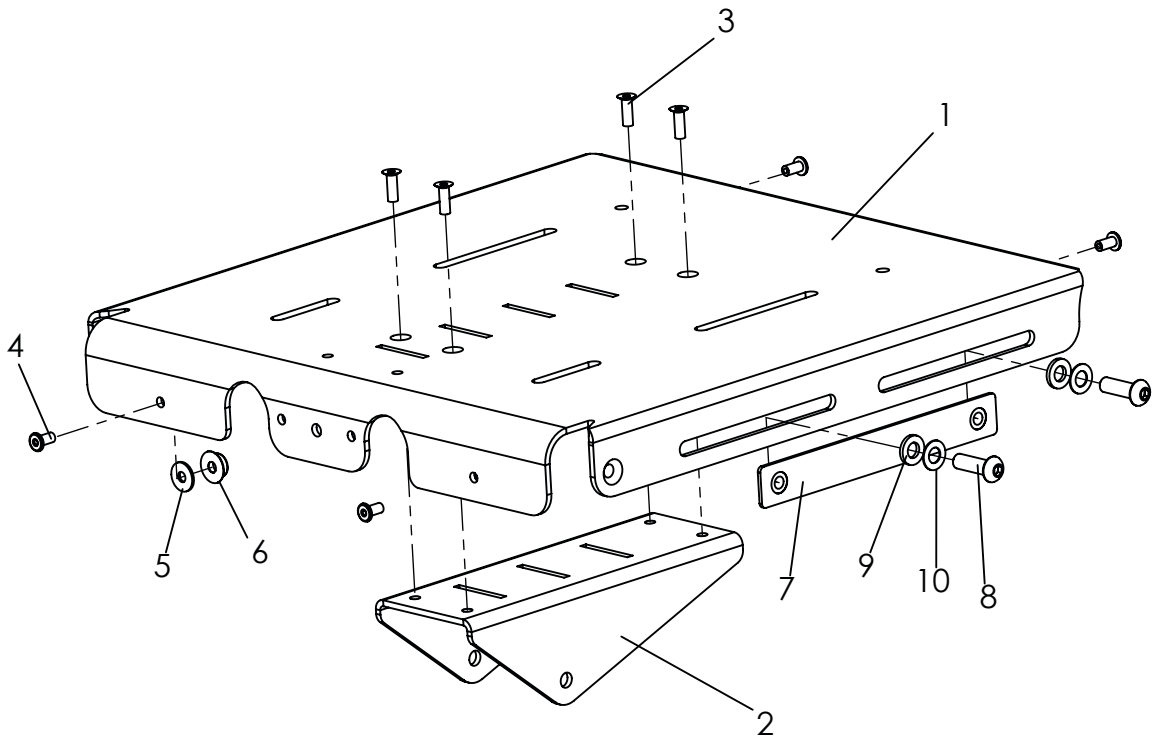
Pos	Article number	Articel description	Quantity	Unit
1-10	3230-1900E	Releaser, tiltingmechanism, Mini	1	Pc.
1	1209-0029	Cable BZ-670x780	1	Pc.
2	1099-0003	Adjusting screw	1	Pc.
3	1042-0006	Hexagon nut self-locking M6	1	Pc.
4	3007-19037	Wire clamp	1	Pc.
5	3243-1932	Nipple bearing	1	Pc.
6	1021-0512	Cylinder head screw M5x12	2	Pc.
7	1055-0005	Washer A5,3	2	Pc.
8	1042-0005	Hexagon nut self-locking M5	2	Pc.
9	1099-0004	Screw nipple 1100, D5x8	1	Pc.
10	3230-1129	Universal wire-rope with rope thimble, for seat angle adjustment, Mini	2	Pc.
11	1209-0036	Release lever D22	1	Pc.

Spare parts



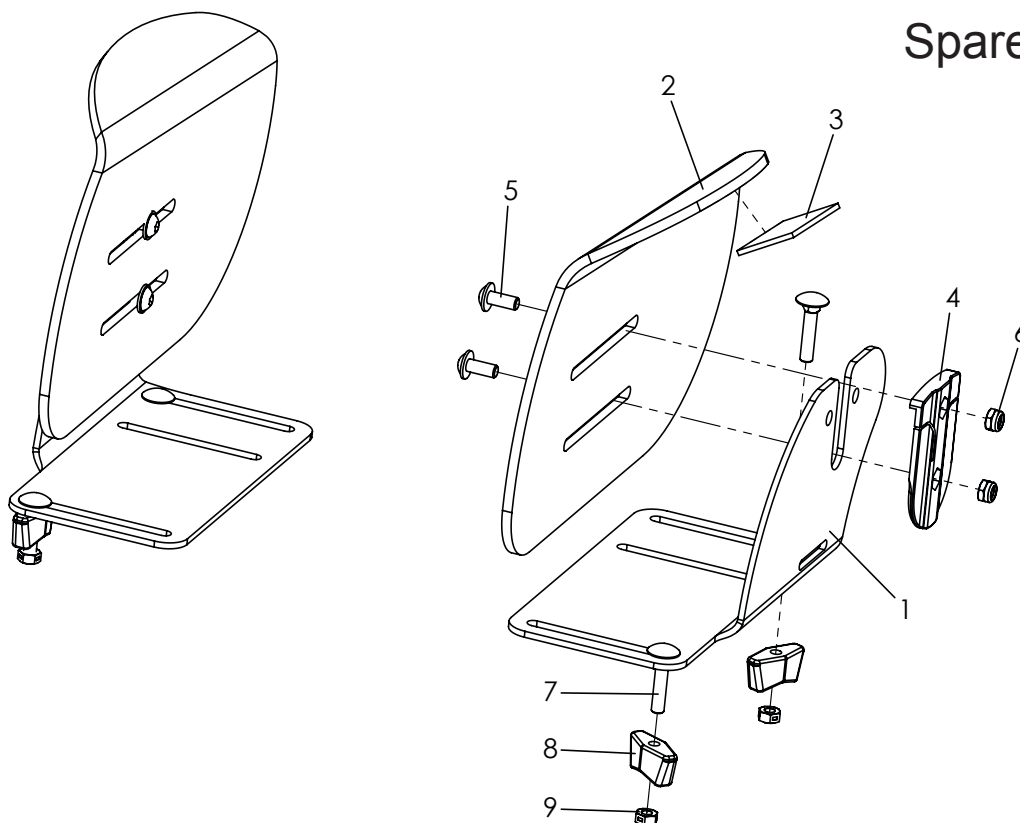
Pos	Article number	Articel description	Quantity	Unit
1-12	3232-2200E-xxx	Seat surface size 1, with conectors	1	Pc.
	3234-2200E-xxx	Seat surface size 2, with conectors	1	Pc.
	3235-2200E-xxx	Seat surface size 2XL, with conectors	1	Pc.
1	3231-2250-xxx	Seat frame size 1	1	Pc.
	3233-2250-xxx	Seat frame size 2	1	Pc.
	3235-2250-xxx	Seat frame size 2XL	1	Pc.
2	3231-2221-xxx	Seat surface size 1	1	Pc.
	3233-2221-xxx	Seat surface size 2	1	Pc.
	3235-2221-xxx	Seat surface size 2XL	1	Pc.
3	1062-0408	Blind rivet F4x8	4	Pc.
4	1055-0004	Washer A4,3	2	Pc.
5	1533-0005	Ring-ball part DRK 95B	4	Pc.
6	1042-0006	Hexagon nut self-locking M6	4	Pc.
7	3231-2262	Clamping block	4	Pc.
8	1055-0006	Washer A6,4	4	Pc.
	1055-0006-033	Washer A6,4 black	4	Pc.
9	1029-0620	button head socket screw M6x20	4	Pc.
	1029-0620-033	button head socket screw black M6x20	4	Pc.
10	1026-0530	Mushroom head square neck bolt M5x30	4	Pc.
11	1051-0006	Washer A6,4	4	Pc.
12	1042-0005	Hexagon nut self-locking M5	4	Pc.

Spare parts



Pos	Article number	Articel description	Quantity	Unit
1-10	3230-2200-032	Seat surface Mini, complete	1	Pc.
1-3	3230-2211-032	Seat surface Mini	1	Pc.
2	3230-2212-032	Retainer for Footrest hanger	1	Pc.
3	1063-0412	Blind rivet S4x12	4	Pc.
4	1062-0408	Blind rivet F4x8	4	Pc.
5	1055-0004	Washer A4,3	4	Pc.
6	1533-0005	Ring-ball part	4	Pc.
7	3230-2231	Threadplate M6x110	2	Pc.
8	1029-0620-033	Button head socket screw black M6x20	4	Pc.
9	1051-0006-033	Washer A6,4	4	Pc.
10	1052-0006-033	Spring washer B6	4	Pc.

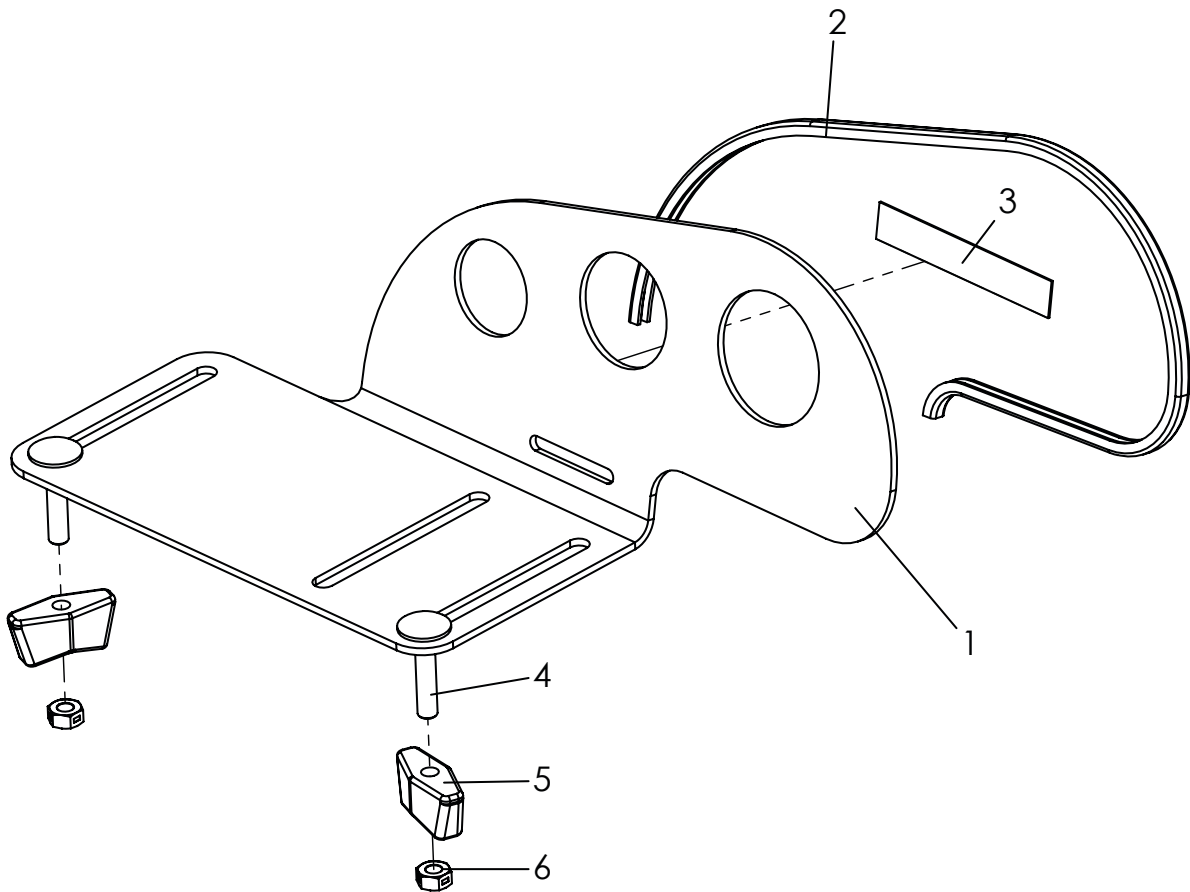
Spare parts



Pos	Article number	Articel description	Quantit	Unit
1-9	3230-2602E	Hip support right Mini	1	Pc.
	3230-2601E	Hip support left Mini	1	Pc.
	3231-2602E	Hip support right size 1	1	Pc.
	3231-2601E	Hip support left size 1	1	Pc.
	3233-2602E	Hip support right size 2	1	Pc.
	3233-2601E	Hip support left size 2	1	Pc.
	3235-2602E	Hüftpelotte links Gr. 2XL	1	Pc.
	3235-2601E	Hüftpelotte right Gr. 2XL	1	Pc.
1	3230-2612-032	Bracket for hip supports, right, Mini, black dull matt	1	Pc.
	3230-2611-032	Bracket for hip supports, right, Mini, black dull matt	1	Pc.
	3231-2612-032	Bracket for hip supports, right, size 1, black dull matt	1	Pc.
	3231-2611-032	Bracket for hip supports, right, size 1, black dull matt	1	Pc.
	3233-2612-032	Bracket for hip supports, right, size 2, black dull matt	1	Pc.
	3233-2611-032	Bracket for hip supports, right, size 2, black dull matt	1	Pc.
2-3	3230-2623E	Hip support formed part, right, Mini with velcro	1	Pc.
	3230-2621E	Hip support formed part, left, Mini with velcro	1	Pc.
	3231-2623E	Hip support formed part, right, size 1 with velcro	1	Pc.
	3231-2621E	Hip support formed part, left, size 1 with velcro	1	Pc.
	3233-2623E	Hip support formed part, right, size 2 with velcro	1	Pc.
	3233-2621E	Hip support formed part, left, size 2 with velcro	1	Pc.
	3235-2625-032	Hip support formed part, right, size 2XL with velcro	1	Pc.
	3235-2624-032	Hip support formed part, left, size 2XL with velcro	1	Pc.
3	1501-0003	Hook strap black 25mm	0,2	m
4	3231-2622	Locking hinge	2	Pc.
5	1030-0512	Button head socket screw with flange M5x12	4	Pc.
6	1042-0005	Hexagon nut self-locking M5	4	Pc.
7	1026-0525	Mushroom head square neck bolt M5x25	4	Pc.
8	1123-0500	Wing nut PA black M5	4	Pc.
9	1049-0066	BILOC-nut M5	4	Pc.

For hip upholstery see page 52.

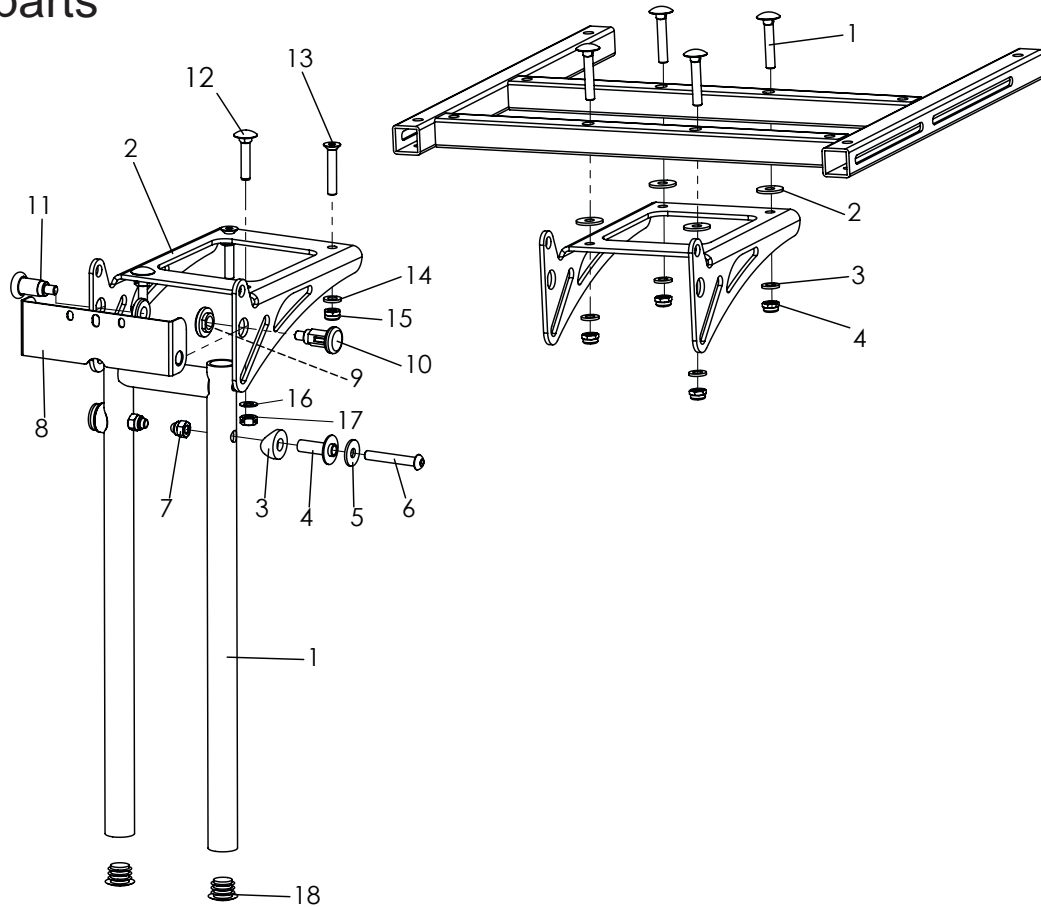
Spare parts



Pos	Article number	Articel description	Quantity	Unit
1-6	3230-2901	Pelotte thigh support Mini, left, picture	1	St
	3230-2902	Pelotte thigh support Mini, right	1	St
	3231-2901E	Pelotte thigh support size 1, left	1	St
	3231-2902E	Pelotte thigh support size 1, right	1	St
	3233-2901E	Pelotte thigh support size 2, left, picture	1	St
	3233-2902E	Pelotte thigh support size 2, right	1	St
	3235-2901E	Pelotte thigh support size 2XL, left	1	St
	3235-2902E	Pelotte thigh support size 2XL, right	1	St
1-3	3230-2911E	Pelotte thigh support Mini, left, picture	1	St
	3230-2912E	Pelotte thigh support Mini, right	1	St
	3231-2911E	Pelotte thigh support size 1, left	1	St
	3231-2912E	Pelotte thigh support size 1, right	1	St
	3233-2911E	Pelotte thigh support size 2, left, picture	1	St
	3233-2912E	Pelotte thigh support size 2, right	1	St
	3235-2911-XXX	Pelotte thigh support size 2XL, left	1	St
	3235-2912-XXX	Pelotte thigh support size 2XL, right	1	St
2	1144-0001	KS-Profil PVC	1	St
3	1501-0003	Hook strap black 25mm	0,4	m
4	1026-0525	Mushroom head square neck bolt M5x25	2	St
5	1123-0500	Wing nut PA black M5	2	St
6	1049-0066	BILOC-nut M5	2	St

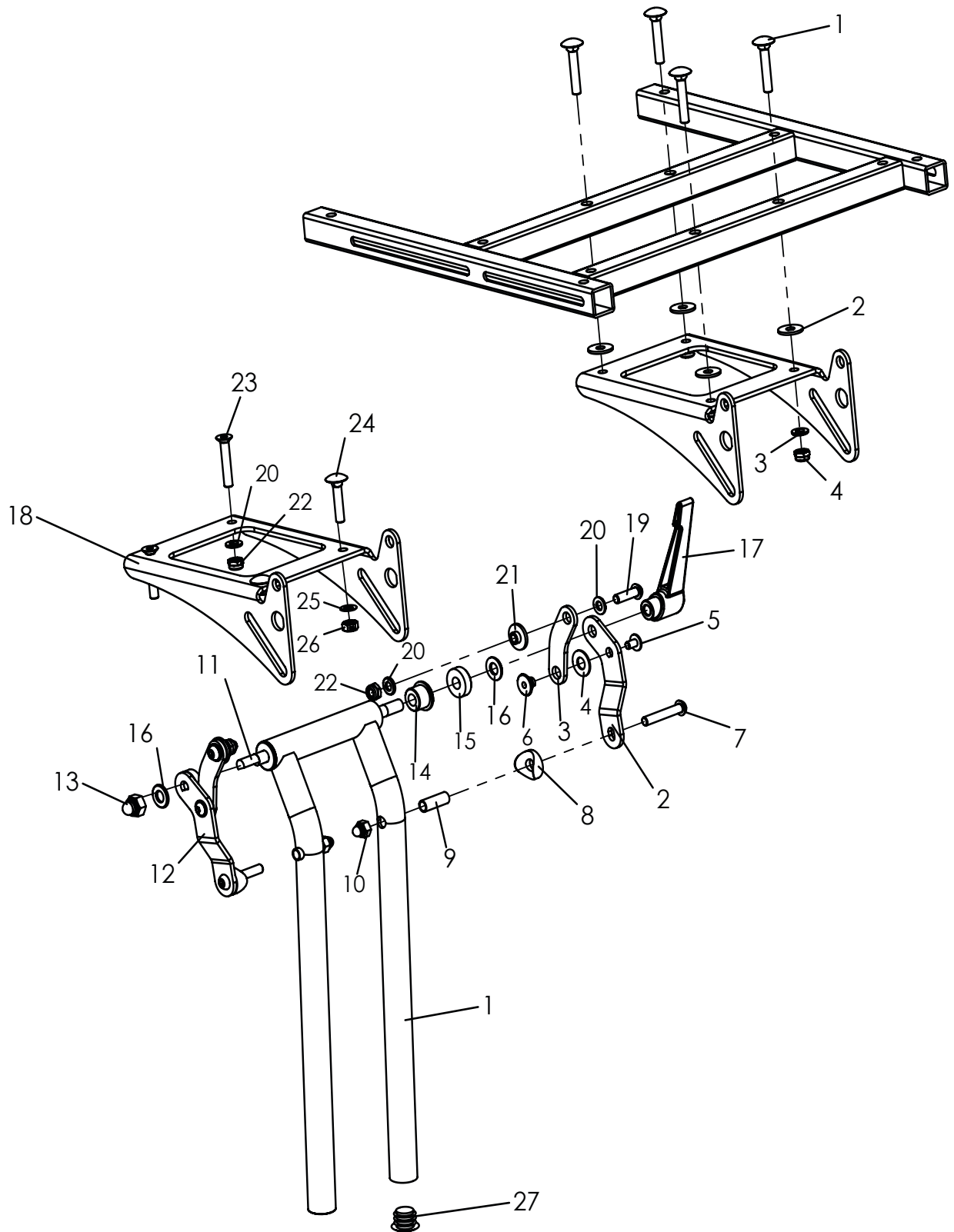
For pelotte thigh Upholstery see page 52.

Spare parts



Pos	Article number	Articel description	Quantity	Unit
1-18	3231-2501E-xxx	Footresthanger 90° fix size 1	1	Pc.
	3233-2501E-xxx	Footresthanger 90° fix size 2	1	Pc.
1	3231-2520-xxx	Bracket for footrest hanger size 1	1	Pc.
	3233-2520-xxx	Bracket for footrest hanger size 2	1	Pc.
2	3231-2411-007	Console for footrest black anodized	2	Pc.
3	1111-0016	Saddle washer PA black 20x8.4x3	2	Pc.
4	3231-2532	Pivot bearing	2	Pc.
5	1055-0006	Washer A6,4	2	Pc.
6	1029-0640	button head socket screw M6x40	2	Pc.
7	1044-0006	Hexagonal domed cap nut self-locking 986 M6	2	Pc.
8	3231-2545	Fold stop	1	Pc.
9	3231-2544	Nut for lock pin	2	Pc.
10	1127-0009	Lock pin with lock funktion	1	Pc.
11	1127-0010	Lock pin	1	Pc.
12	1026-0630	Mushroom head square neck bolt M6x30	2	Pc.
13	1024-0635	Hexagon socket countersunk head screw M6x35	2	Pc.
14	1051-0006	Washer A6,4	2	Pc.
15	1042-0006	Hexagon nut self-locking M6	2	Pc.
16	1052-0006	Spring washer B6	2	Pc.
17	1049-0068	BILOC-nut M6	2	Pc.
18	1141-0006	Ribbed insert SFL 20x0,8-2,5	2	Pc.
	For size 2 and 2XL	<i>Pos. 12-13-14-15-16-17 must be replaced with 1-2-3-4 See extra explosion for assembly!</i>		
1	1026-0635	Mushroom head square neck bolt M6x35	4	Pc.
2	1055-0006	Washer zp A6,4	4	Pc.
3	1051-0006	Washer A6,4	4	Pc.
4	1042-0006	Hexagon nut self-locking M6	4	Pc.

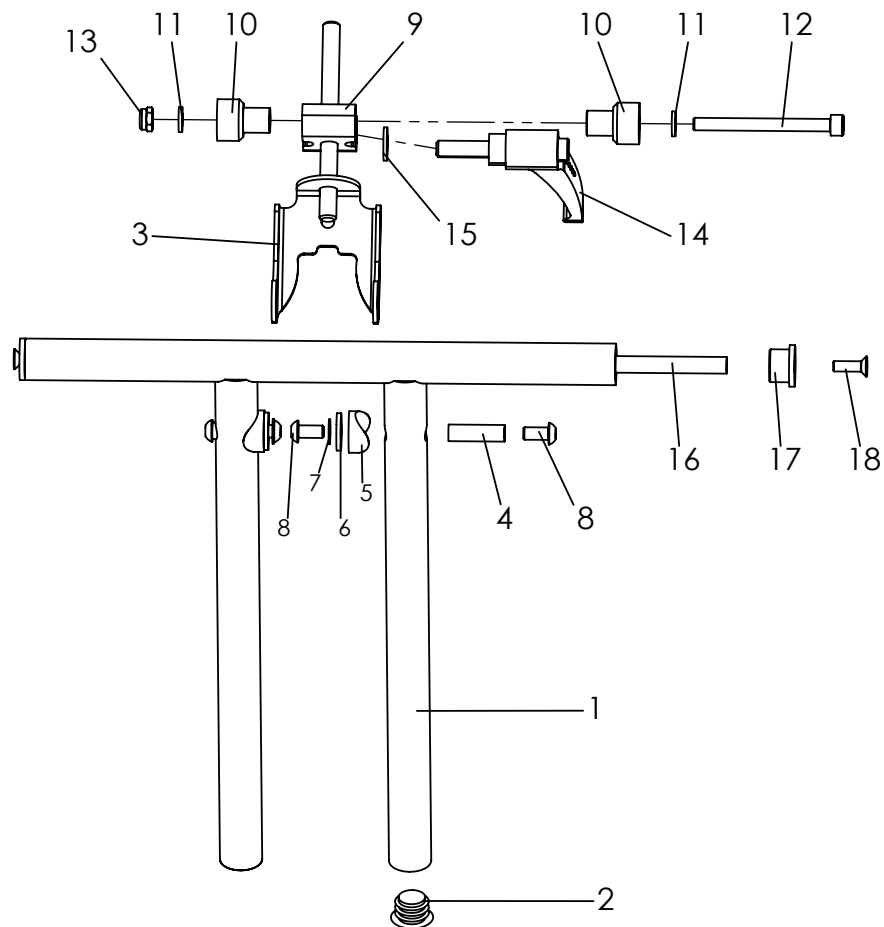
Spare parts



Spare parts

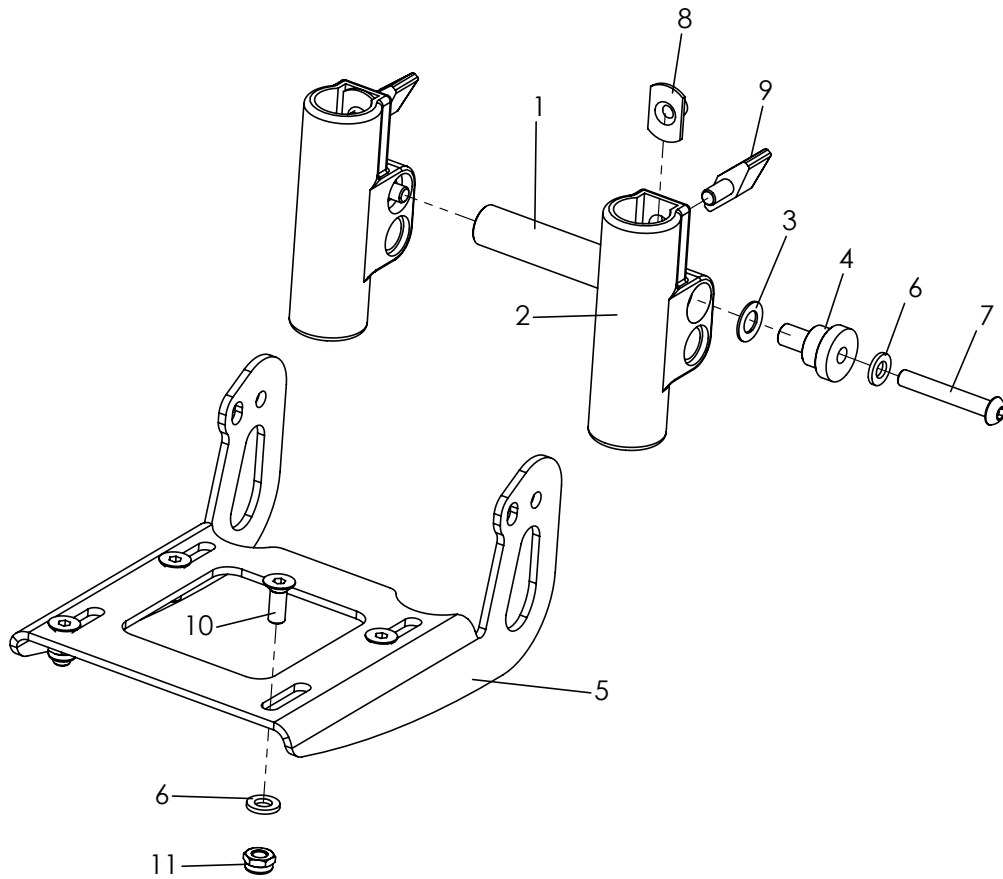
Pos	Article number	Articel description	Quantity	Unit
1-27	3231-2401E-xxx	Foot rest hanger size 1 angle adjustable 90-160°	1	Pc.
	3233-2401E-xxx	Foot rest hanger size 2 angle adjustable 90-160°	1	Pc.
1	3240-2870-xxx	Brackets for footrest hanger, angle adjustable size 1	1	Pc.
	3233-2410-xxx	Brackets for footrest hanger, angle adjustable size 2	1	Pc.
2	3231-2434-032	Swing lever, left	1	Pc.
3	3231-2433-032	Fold lever short	2	Pc.
4	1113-0003	Washer PA 18x8,4x1 black	2	Pc.
5	1030-0508	Button head socket screw with flange M5x8	2	Pc.
6	3231-2437	Swing lever axel	2	Pc.
7	1029-0635	Button head socket screw M6x35	2	Pc.
8	1111-0016	Saddle washer PA black 20x8.4x3	2	Pc.
9	1114-0012	Bushing 8x0,8x22,5	2	Pc.
10	1044-0006	Hexagonal domed cap nut self-locking M6	2	Pc.
11	3231-2438	Thread rod	1	Pc.
12	3231-2435-032	Swing lever, right	1	Pc.
13	1044-0008	Hexagonal domed cap nut self-locking M8	1	Pc.
14	3240-2864	Clamp bushing	2	Pc.
15	3231-2436	Trust piece	2	Pc.
16	1051-0008	Washer A8,4	2	Pc.
17	1121-0800	Locking lever PA black M8	1	Pc.
18	3231-2411-007	Console for footrest black anodized	1	Pc.
19	1029-0620	Button head socket screw M6x20	2	Pc.
20	1051-0006	Washer A6,4	6	Pc.
21	3210-1238	Shoulder bushing	2	Pc.
22	1042-0006	Hexagon nut self-locking M6	4	Pc.
23	1024-0635	Hexagon socket countersunk head screw M6x35	2	Pc.
24	1026-0630	Mushroom head square neck bolt M6x30	2	Pc.
25	1052-0006	Spring washer B6	2	Pc.
26	1049-0068	BILOC-nut M6	2	Pc.
27	1141-0006	Ribbed insert SFL 20x0,8-2,5	2	Pc.
	For size 2 and 2XL	Pos. 20-22-23-24-25-26 must be replaced with 1-2-3-4		
		See extra explosion for assembly!		
1	1026-0635	Mushroom head square neck bolt M6x35	4	St
2	1055-0006	Washer zp A6,4	4	St
3	1051-0006	Washer A6,4	4	St
4	1042-0006	Hexagon nut self-locking M6	4	St

Spare parts



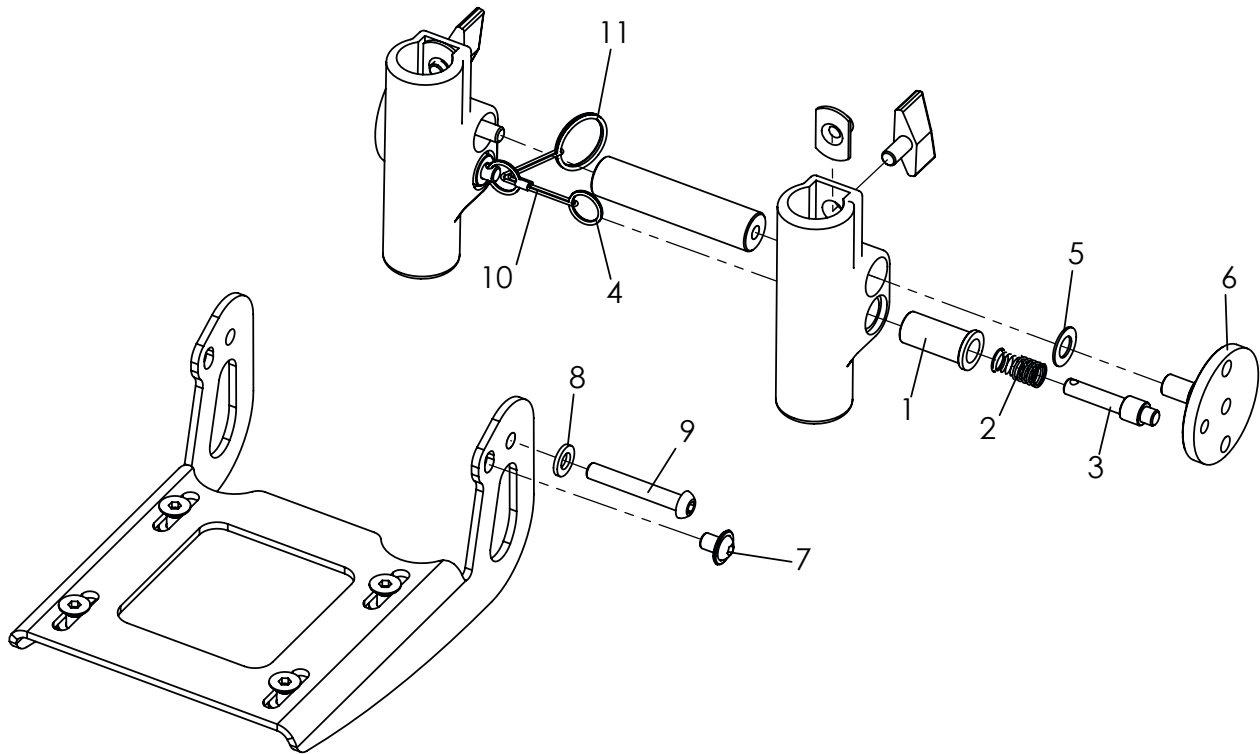
Pos	Article number	Articel description	Quantity	Unit
1-18	3230-2400E-032	Foot rest hanger Mini angle adjustable	1	Pc.
1	3230-2420-032	Brackets for footrest hanger, angle adjustable Mini	1	Pc.
2	1141-0006	Ribbed insert SFL 20x0,8-2,5	2	Pc.
3	3230-2430-033	Suporte retainer for footrest hanger	1	Pc.
4	1114-0062	Threaded bushing 8xM6x26,5	2	Pc.
5	1111-0016	Saddle washer PA black 20x8.4x3	2	Pc.
6	1113-0035	Washer PA 18x8,4x2 black	2	Pc.
7	1052-0006-033	Spring washer B6 black B6	2	Pc.
8	1029-0612-033	Button head socket screw M6x12	4	Pc.
9	3230-2411-007	Clamping block	1	Pc.
10	3230-2413	Axel bushing	2	Pc.
11	1051-0006	Washer A6,4 zp DIN/ISO 125 A6,4	2	Pc.
12	1021-0665	Hexagon socket head cap screw M6x65	1	Pc.
13	1042-0006	Hexagon nut self-locking M6	1	Pc.
14	1121-0825	Locking lever PA black M8x25	1	Pc.
15	1051-0008	Washer A8,4 zp DIN/ISO 125 A8,4	1	Pc.
16	3230-2441-008	Bushing tube with M6 thread	1	Pc.
17	3230-2442	Bushing for Bracket footrest hanger	2	Pc.
18	1024-0516	Hexagon socket countersunk head screw M5x16	2	Pc.

Spare parts



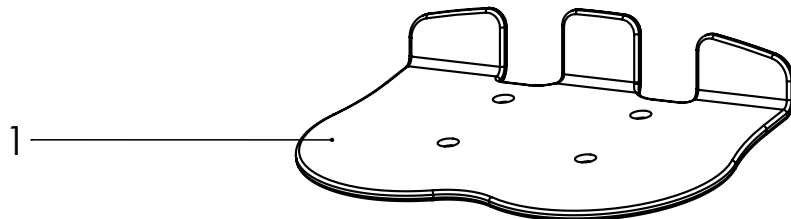
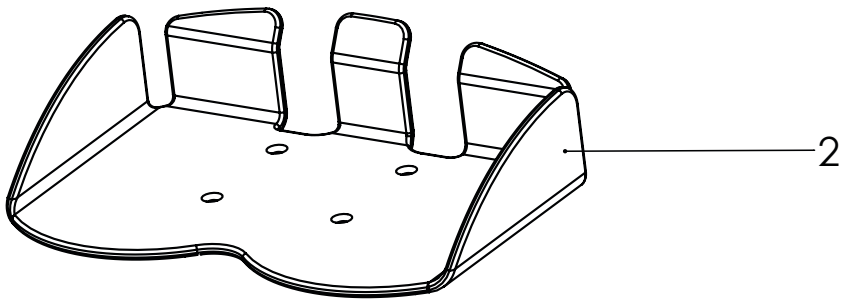
Pos	Article number	Articel description	Quantity	Unit
1-11	3240-4302E-032	Foot board assembly angle adjustable and foldable	1	Pc.
1	3240-2913	Stabilisator	1	Pc.
2	3201-2520	Footboard holder	2	Pc.
3	1052-0008	Spring washer B8	2	Pc.
4	3201-2530	Bushing	2	Pc.
5	3240-2911-032	Foot rest bracket black	1	Pc.
6	1051-0006	Washer A6,4	6	Pc.
7	1029-0640	Button head socket screw M6x40	2	Pc.
8	1049-0052	T-nut L-769 22x14xM6x8,5	2	Pc.
9	1123-0612	Wing screw Pa black M6x12 M6x BPF 20	2	Pc.
10	1024-0616-033	Hexagon socket countersunk head screw black M6x16	4	Pc.
11	1042-0006	Hexagon nut self-locking M6	4	Pc.

Spare parts



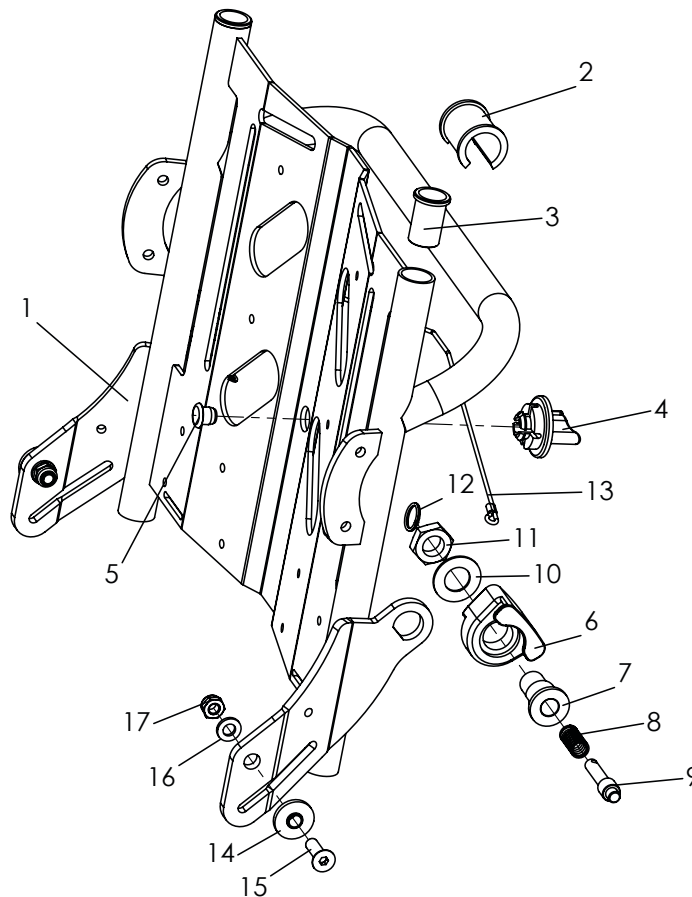
Pos	Article number	Articel description	Quantity	Unit
1-11	3240-4303E-032	Footrest flip up lock	1	Pc.
1	3201-7520	Spring housing	2	Pc.
2	1131-0036	Compression spring D-127d 0,8x8,3x29	2	Pc.
3	3201-7530	Lock pin	2	Pc.
4	1129-0036	Key ring 16x1,6	2	Pc.
5	1052-0008	Spring washer B8	2	Pc.
6	3201-7510	Lock plate	2	Pc.
7	1030-0608	button head socket screw with flang M6x8	2	Pc.
8	1051-0006	Washer A6,4	2	Pc.
9	1029-0640	button head socket screw M6x40	2	Pc.
10	3201-7560	Wire rope for foot rest lock, EVO	0,2	m
11	1129-0003	Key ring 24x1,5	1	Pc.

Spare parts



Pos	Article number	Articel description	Quantity	Unit
1	3231-2551E	Bingo-Evo foot plate in boat form size 1, width 30cm	1	Pc.
	3233-2551E	Bingo-Evo foot plate in boat form size 2, width 35cm	1	Pc.
2	3231-2491	Evo foot rest with heel stop, width 27cm	1	Pc.
	3231-2492	Evo foot rest with heel stop, width 29cm	1	Pc.
	3231-2493	Evo foot rest with heel stop, width 31cm	1	Pc.
	3231-2494	Evo foot rest with heel stop, width 33cm	1	Pc.

Spare parts

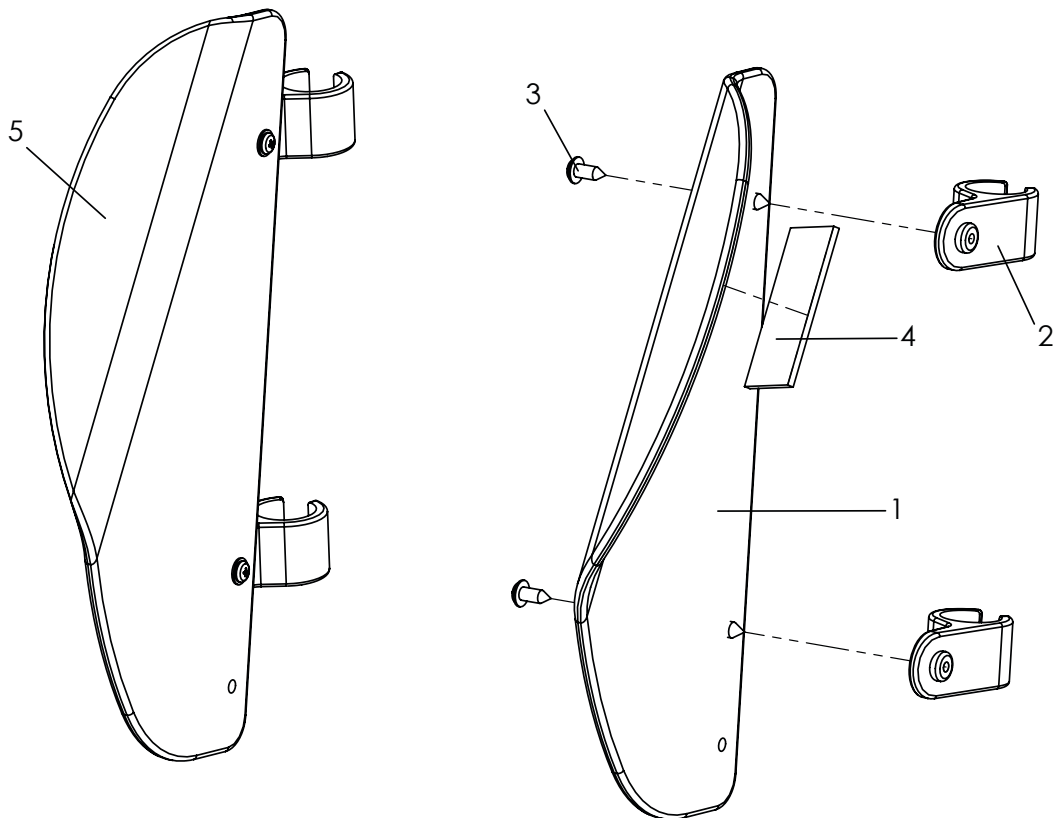


Pos	Article number	Articel description	Quantity	Unit
1-17	3231-2300E-xxx	Back base size 1 complete	1	Pc.
	3233-2300E-xxx	Back base size 2 complete	1	Pc.
	3235-2300E-xxx	Back base size 2XL complete	1	Pc.
1	3231-2310-xxx	Back base size 1	1	Pc.
	3233-2310-xxx	Back base size 2	1	Pc.
	3235-2310-xxx	Back base size 2XL	1	Pc.
2	3231-2324	Balance bushing	1	Pc.
3	3231-2323	Guiding bush	2	Pc.
4	3240-2441	Turning knob	1	Pc.
5	1141-0028	Decorative plug	1	Pc.
6	3231-2322	Back guidance	2	Pc.
7	3231-2321	Locking bolt housing	2	Pc.
8	1131-0036	Compression spring D-127d 0,8x8,3x29	2	Pc.
9	3201-7530	Lock pin	2	Pc.
10	1052-0012	Spring washer B12	2	Pc.
11	1040-0012	Hexagon nut M12(fine pitch thread)	2	Pc.
12	1129-0036	Key ring 16x1,6	2	Pc.
13	3231-2325	Release cable for backrest recline size 1	1	Pc.
	3233-2325	Release cable for back angle adjustment size 2	1	Pc.
14	3231-2131	Bushing	2	Pc.
15*	1024-0620	Hexagon socket countersunk head screw M6x20, with frame colour 024	2	Pc.
	1024-0620-033	Hexagon socket countersunk head screw black M6x20, with frame colour 032	2	Pc.
16	1051-0006	Washer A6,4	2	Pc.
17	1042-0006	Hexagon nut self-locking M6	2	Pc.
18	1089-0007	Cable tie 3,3 x 145	1	Pc.
19	1119-0003	Wire clamp	1	Pc.
20	1062-0410	Blind rivet F4x10	1	Pc.

18-20 are not displayed, will be put in loos.

* Screw`s change with frame colour!

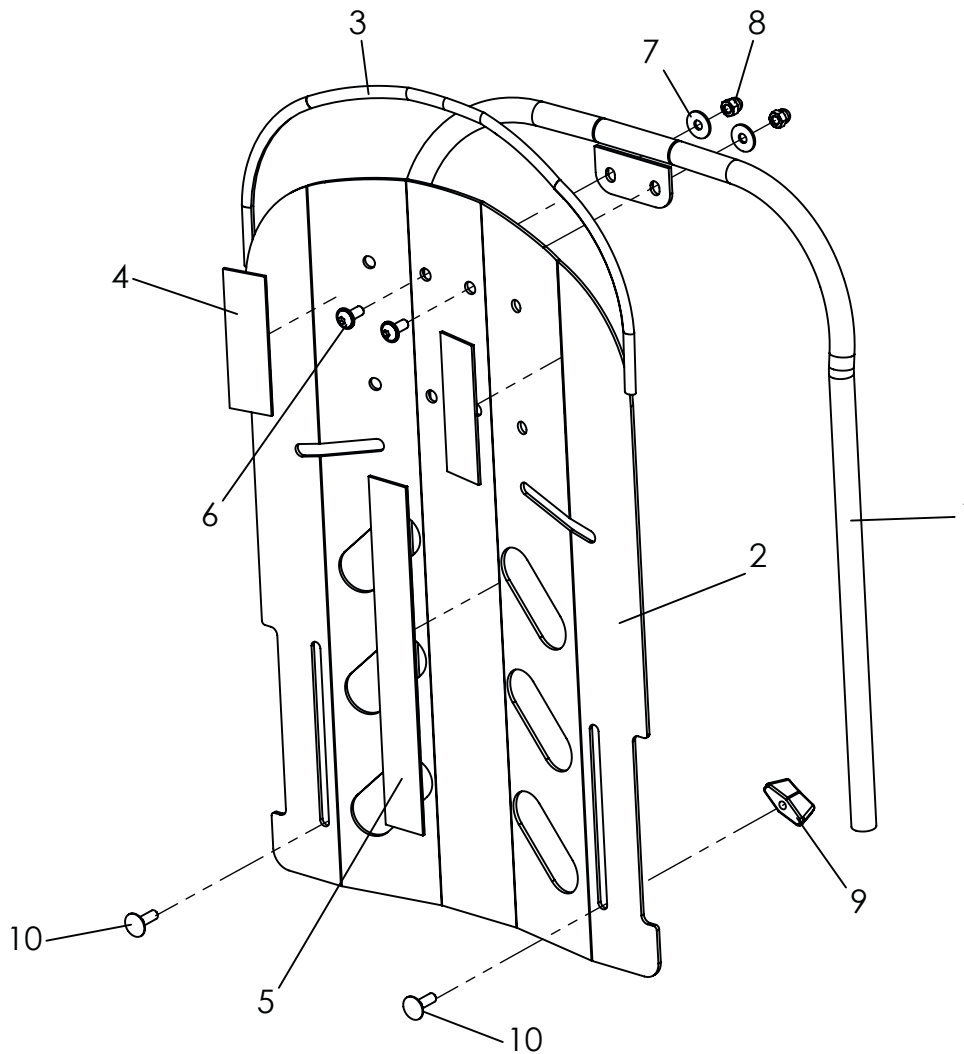
Spare parts



Pos	Article number	Articel description	Quantity	Unit
1-4	3231-2710E	Lateral support left size 1 complete	1	Pc.
	3233-2710E	Lateral support left size 2 complete	1	Pc.
	3235-2710E	Lateral support left size 2XL complete	1	Pc.
1	3231-2711	Lateral support formed part left size 1	1	Pc.
	3233-2711	Lateral support formed part left size 2	1	Pc.
	3235-2711-032*	Lateral support formed part left size 2XL, in alloy	1	Pc.
2-5	3231-2720E	Lateral support right size 1 complete	1	Pc.
	3233-2720E	Lateral support right size 2 complete	1	Pc.
	3235-2720E	Lateral support right size 2XL complete	1	Pc.
2	3231-2712	Pad hinge	2	Pc.
3	1039-0003	Screw for plastic, cross rcessed pan head w. flange 4x12	2	Pc.
4	1501-0003	Hook strap black 25mm self adhesive glue	0,1	m
5	3201-2721	Lateral support formed part right size 1	1	Pc.
	3231-2721	Lateral support formed part right size 2	1	Pc.
	3235-2721-032*	Lateral support formed part right size 2XL, in alloy	1	Pc.
	*1039-0001	when 2XL is needed, Screw for plastic, cross rcessed pan head w. flange 4x10, Pos.3	3	Pc.
	*3231-2712	when 2XL is needed ,Pad hinge, Pos. 2	3	Pc.

For Up holstery see page 52.

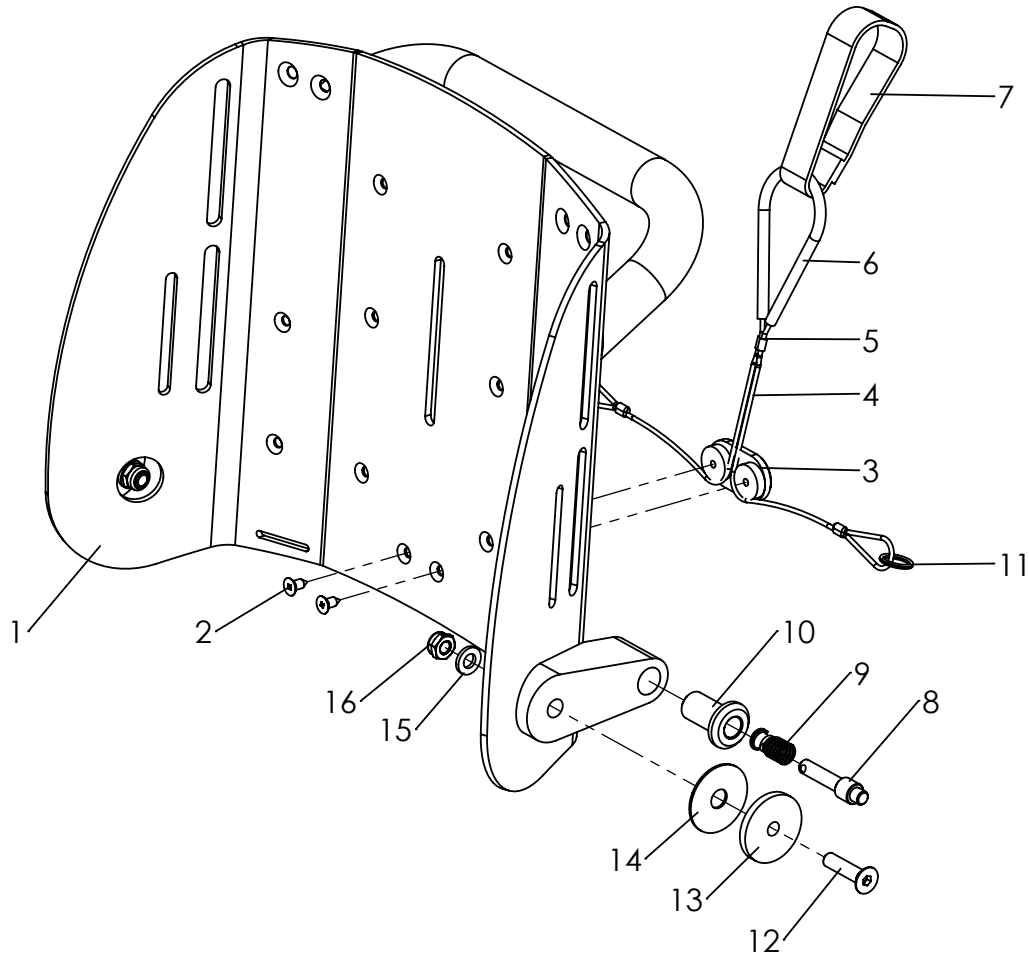
Spare parts



Pos	Article number	Articel description	Quantity	Unit
1-10	3201-2800E-xxx	Back insert size 1, complete	1	Pc.
	3203-2800E-xxx	Back insert size 2 and 2XL, complete	1	Pc.
1	3201-2810-xxx	Back insert size 1	1	Pc.
	3203-2810-xxx	Back insert size 2 and 2XL	1	Pc.
2-5	3201-2822E-xxx	Back panel size 1, with conectors	1	Pc.
	3203-2822E-xxx	Back panel size 2, with conectors	1	Pc.
2	3201-2822-xxx	Back panel size 1	1	Pc.
	3203-2822-xxx	Back panel size 2	1	Pc.
3	1144-0001	KS-Profil PVC	0,5	m
4	1502-0003	Hook strap self adhesive A clue 25x200 25x200	0,2	m
5	1502-0003	Hook strap self adhesive A clue 25x200 25x200	0,2	m
6	1030-0512	Button head socket screw with flange M5x12	2	Pc.
7	1055-0005	Washer A5,3	2	Pc.
8	1044-0005	Hexagonal domed cap nut self-locking M5	2	Pc.
9	1123-0500	Wing nut PA black M5 M5 BPF 20	2	Pc.
10*	1026-0516	Mushroom head square neck bolt M5x16, <i>with frame colour, 024</i>	2	Pc.
	1026-0516-033	Mushroom head square neck bolt black M5x16, <i>with frame colour, 032</i>	2	Pc.

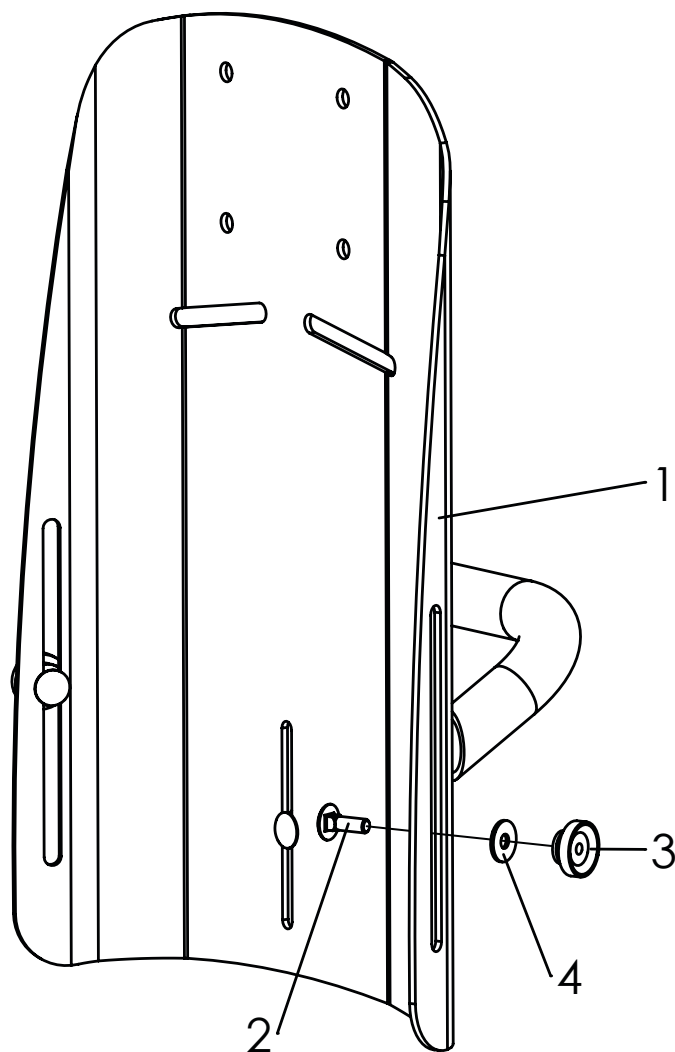
* Screw`s change with frame colour!

Spare parts



Pos	Article number	Articel description	Quantity	Unit
1-16	3230-2301E-032	Back base Mini, complete	1	Pc.
1	3230-2310-032	Back panal Mini	1	Pc.
2-7	3230-2325	Release cable for backrest recline size Mini	1	Set
2	1039-0004-033	Countersunk sheet metal screw 3.9x9.5 mm	2	Pc.
3	3230-2324	Diverter block back adjustment	1	Pc.
4	3230-1129	Feinstseil 1,2x1,8 mm PA12 natur, ca 650mm lang	0,7	Pc.
5	1089-0005	Wire-rope 1,2x1,8 mm	3	Pc.
6	1143-0010	Plastick hoseblack, 180mm long	0,2	m
7	1500-0014	Back to Back on roll black 25 mm	0,2	m
8	3201-7530	Lock pin	2	Pc.
9	1131-0036	Compression spring D-127d 0,8x8,3x29	2	Pc.
10	3230-2322	Bolt socket	2	Pc.
11	1129-0036	key ring 16x1,6	2	Pc.
12	1024-0625-033	Hexagon socket countersunk head screw M6x25	2	Pc.
13	3230-2321-033	Axel bushing	2	Pc.
14	1113-0065	Washer PA nature 8,4x30x1 mm	2	Pc.
15	1051-0006	Washer A6,4	2	Pc.
16	1042-0006	Hexagon nut self-locking M6	2	Pc.

Spare parts



Pos	Article number	Articel description	Quantity	Unit
1-3	3230-2302E-032	Back insert Mini, complete	1	Pc.
1	3230-2331-032	Back insert Mini,	1	Pc.
2	1026-0516-033	Mushroom head square neck bolt black M5x16	3	Pc.
3	1124-0500	Knurled nut PA black M5	3	Pc.
4	1055-0005-033	Washer A5,3	3	Pc.
	1502-0003	Hock strap self adhesive, 25mm, 6 cm long, 6 St.	0,4	m
	1502-0003	Hock strap self adhesive, 25mm, 10 cm long, 1 St.	0,1	m

Spare parts

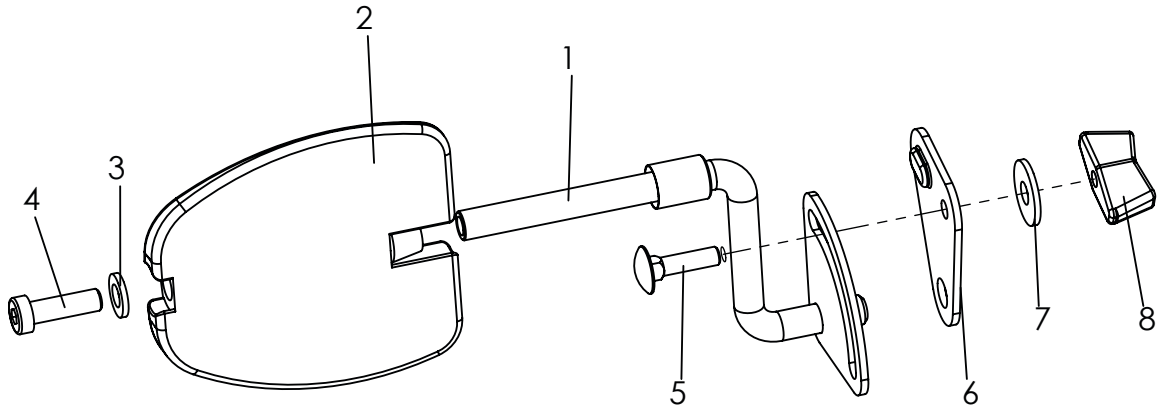


Pos	Article number	Articel description	Quantity	Unit
	3230-5100E_ xxx	Upholstery Mini	1	Pc.
1-4	3231-5100E-xxx	Upholstery size 1	1	Pc.
	3233-5100E-xxx	Upholstery size 2	1	Pc.
	3235-5100E-xxx	Upholstery size 2XL	2	Pc.
1	3230-5120E-xxx	Back upholstery, Mini	1	Pc.
	3231-5120E-xxx	Back upholstery, size 1	1	Pc.
	3233-5120E-xxx	Back upholstery, size 2	1	Pc.
	3235-5120E-xxx	Back upholstery, size 3	1	Pc.
2	3201-5160E-xxx	Lateral upholstery size 1	1	Pair
	3203-5160E-xxx	Lateral upholstery size 2	1	Pair
	3235-5160E-xxx	Lateral upholstery size 3	1	Pair
3	3230-5140E-xxx	Seat upholstery size Mini	1	Pc.
	3231-5140E-xxx	Seat upholstery size 2	1	Pc.
	3233-5140-xxx	Seat upholstery size 3	1	Pc.
	3235-5140-xxx	Seat upholstery size 2XL	1	Pc.
4	3231-9500E-xxx	Side panels matching the upholstery color	1	Pair
5	3231-2920-323	Upholstery thigh support size 1 and Mini, iron grey	1	Pair
	3233-2920-323	Upholstery thigh support size 2, iron grey	1	Pair
	3235-2920-323	Upholstery thigh support size 2XL, iron grey	1	Pair
6	3230-5150-xxx	Hip upholstery Mini	1	Pair
	3201-5150E-xxx	Hip upholstery size 1	1	Pair
	3203-5150E-xxx	Hip upholstery size 2	1	Pair
	3235-5150E-xxx	Hip upholstery size 2XL	1	Pair

With order replace, **xxx** with colour code!

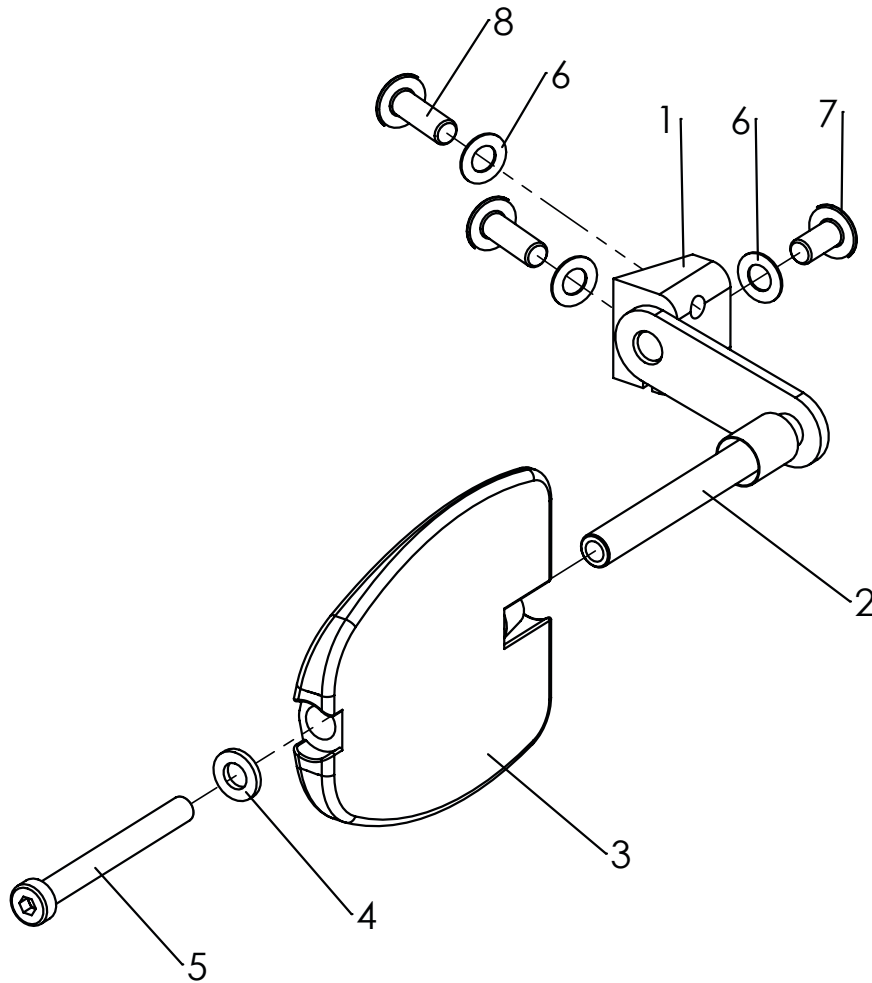
338	339	340	344	345
sand / irongrey	turquoise / irongrey	pink / irongrey	black diamond / irongrey	red / irongrey

Spare parts

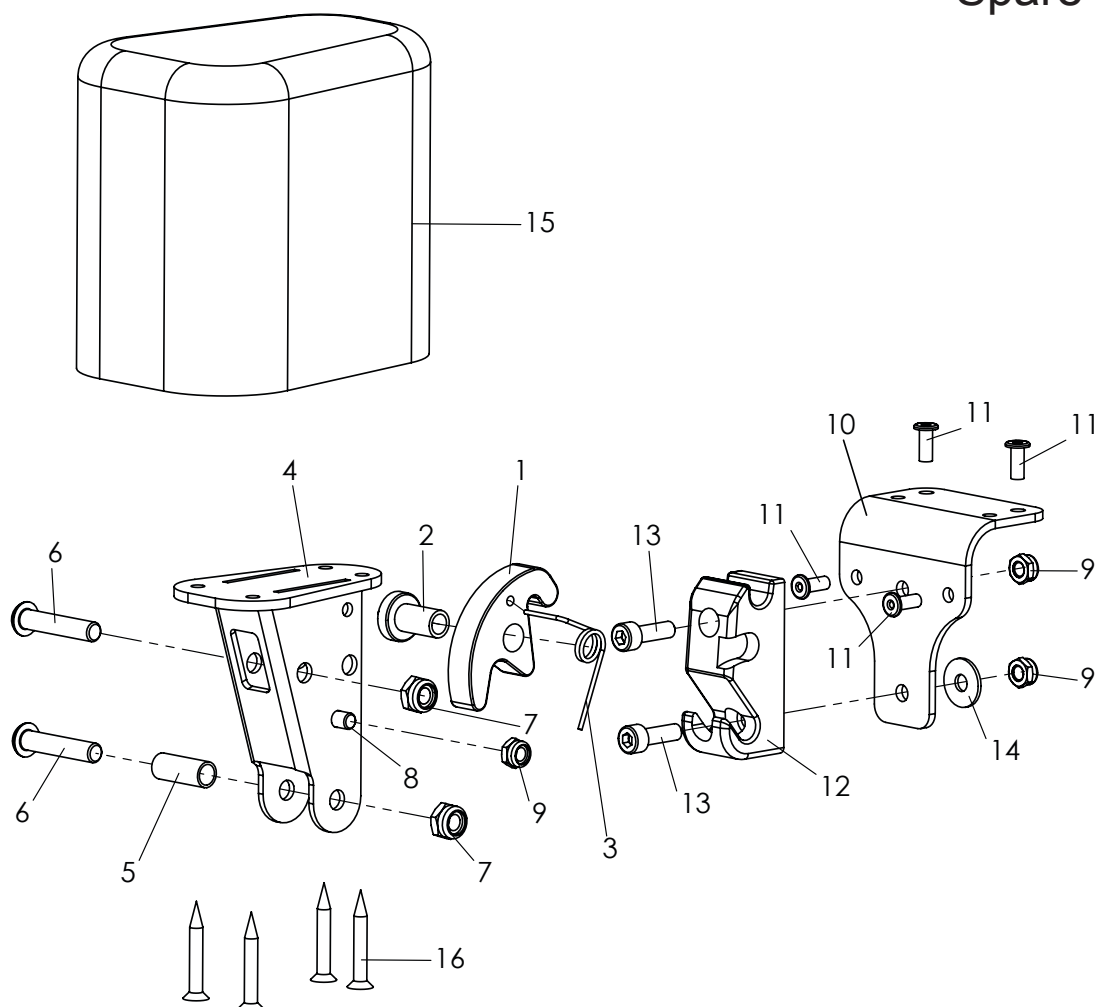


Pos	Article number	Articel description	Quantity	Unit
1-8	3231-7700	Trunk suport size 1, without upholstery	1	Pair
	3233-7700	Trunk suport size 2, without upholstery	1	Pair
	3235-7700	Trunk suport size 3, without upholstery	1	Pair
1	3201-7720-008	Pad crank right size 1	1	Pc.
	3201-7710-008	Pad crank left size 1	1	Pc.
2	3231-7730	Pad size 1	2	Pc.
	3233-7730	Pad size 2	2	Pc.
	3235-7730	Pad size 3	2	Pc.
3	1051-0006	Washer A6,4	2	Pc.
4	1022-0620	Hexagon socket head cap screw M6x20	2	Pc.
	1022-0640	Cylinder head screw M6x40	2	Pc.
	1022-0650	Hexagon socket head cap screw M6x50	2	Pc.
5	1026-0520	Mushroom head square neck bolt M5x20	2	Pc.
6	3201-7717-008	Bracket of trunk support right	1	Pc.
	3201-7716-008	Bracket of trunk support left	1	Pc.
7	1055-0006	Washer A6,4	2	Pc.
8	1123-0500	Wing nut PA black M5	2	Pc.
	3231-7760-323	Upholstery Gr. 1, iron grey	2	Pc.
	3233-7760-323	Upholstery Gr. 2 iron grey	2	Pc.
	3203-7760-323	Upholstery Gr. 3 iron grey	2	Pc.

Spare parts

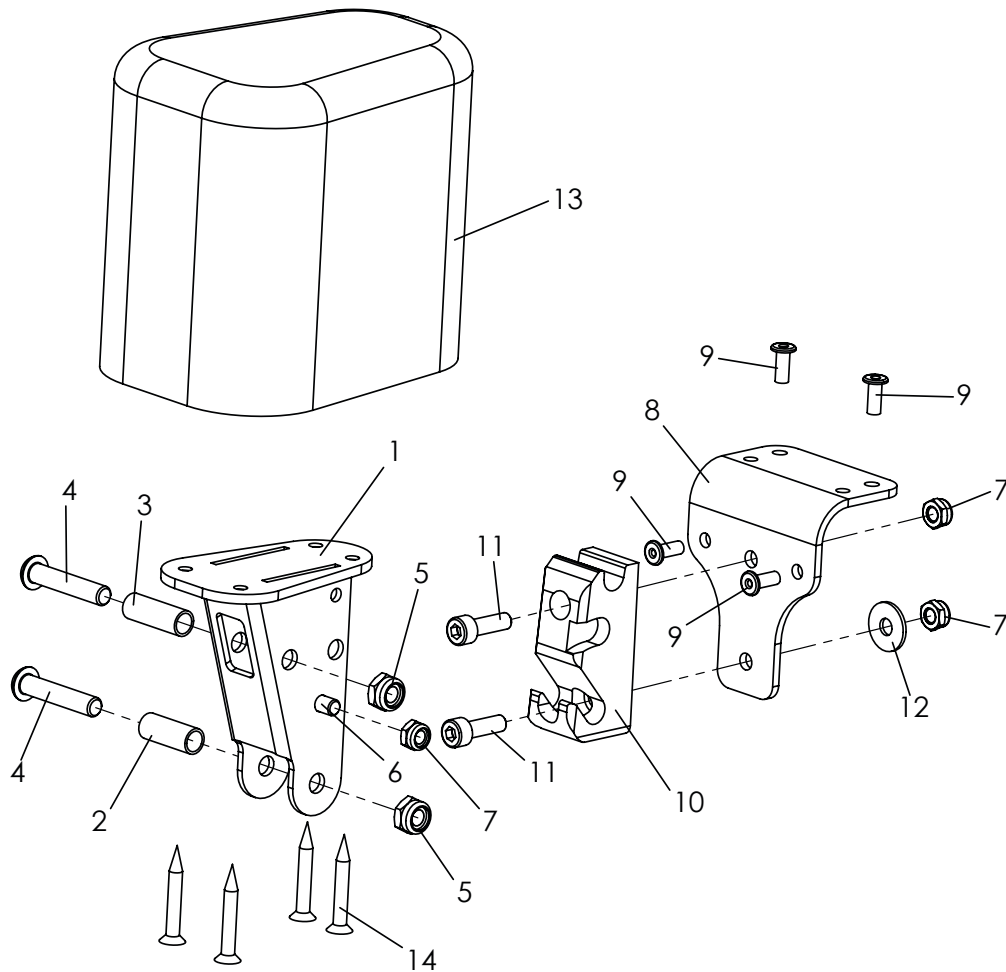


Pos	Article number	Articel description	Quantity	Unit
1-7	3230-7700	Trunk support, size Mini with out upholstery	1	Pair
1	3230-7721-007	Clamp base Mini	2	Pc.
2	3230-7710	Swivel lever Thoraxpelotte Mini	2	Pc.
3	3231-7730	Pad size 1	2	Pc.
4	1051-0006	Washer A6,4	2	Pc.
5	1022-0620	Hexagon socket head cap screw M6x20	2	Pc.
6	1052-0006	Spring washer B6	6	Pc.
7	1030-0616	button head socket screw with flange M6x16	2	Pc.
8	1030-0620	button head socket screw with flange M6x20	4	Pc.
	3231-7760-323	Upholstery size 1, iron grey	2	Pc.
	3233-7760-323	Upholstery size 2, iron grey	2	Pc.
	3203-7760-323	Upholstery size 3, iron grey	2	Pc.



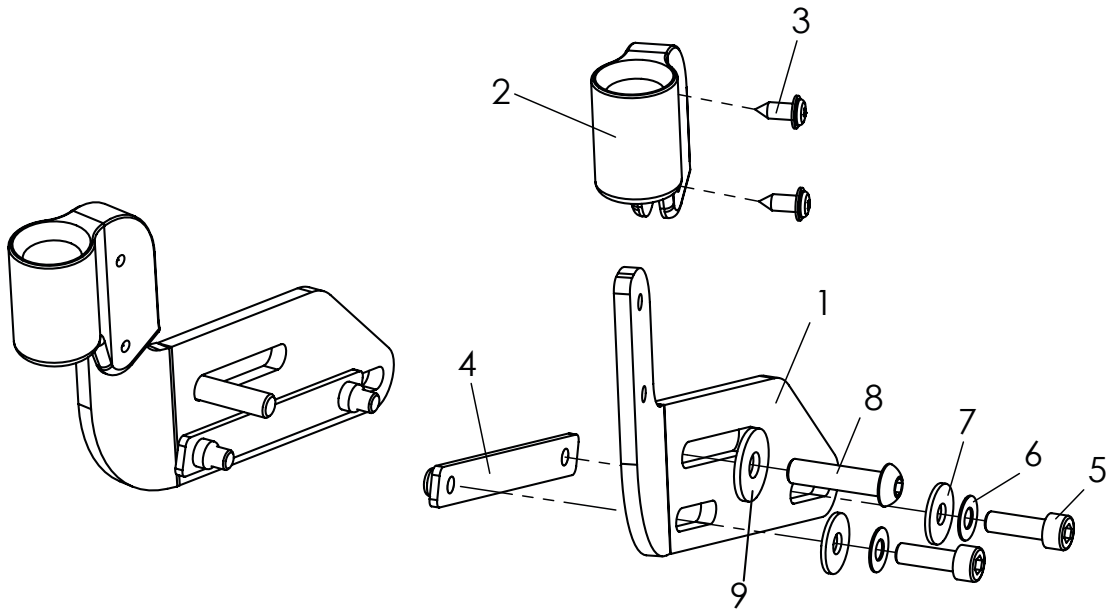
Pos	Article number	Articel description	Quantity	Unit
1-16	3231-7800	Bingo-Evo abduction block size 1 swing&detachable, without cover	1	Pc.
	3231-7900	Bingo-Evo abduction block size 2 swing&detachable, without cover	1	Pc.
	3233-7800	Bingo-Evo abduction block size 3 swing&detachable, without cover	1	Pc.
1	3231-7841	Arresting clamp	1	Pc.
2	3231-7842	Bearing arresting clamp	1	Pc.
3	1133-0020	Leg spring 1,25 x 9,25 x 2,25	1	Pc.
4	3231-7820-032	A-wedge support	1	Pc.
5	1114-0013	Bushing zp 8x0,8x20	1	Pc.
6	1029-0630	Bbutton head socket screw M6x30	2	Pc.
7	1042-0006	Hexagon nut self-locking 985 M6	2	Pc.
8	1021-0508	Cylinder head screw M5x8	1	Pc.
9	1042-0005	Hexagon nut self-locking M5	3	Pc.
10	3231-7831-032	Base plate abduction block receiver	1	Pc.
11	1062-0410	Blind rivet F4x10	4	Pc.
12	3231-7832	Arresting part for A-wedge	1	Pc.
13	1021-0516	Hexagon socket head cap screw M5x16	2	Pc.
14	1055-0005	Washer A5,3	1	Pc.
15	3201-7810E	Wood wedge size 1 with PU-foam	1	Pc.
	3201-7910E	Wood wedge size 1 with PU-foam	1	Pc.
	3203-7810E	Wood wedge size 1 with PU-foam	1	Pc.
16	1028-0430	Pressboard screw countersunk head 4x30	4	Pc.
	3201-7840-323	Cover for abduction block size 1 iron grey	1	Pc.
	3201-7940-323	Cover abduction block size 2 iron grey	1	Pc.
	3203-7840-323	Cover for abduction block size 3 iron grey	1	Pc.

Spare parts



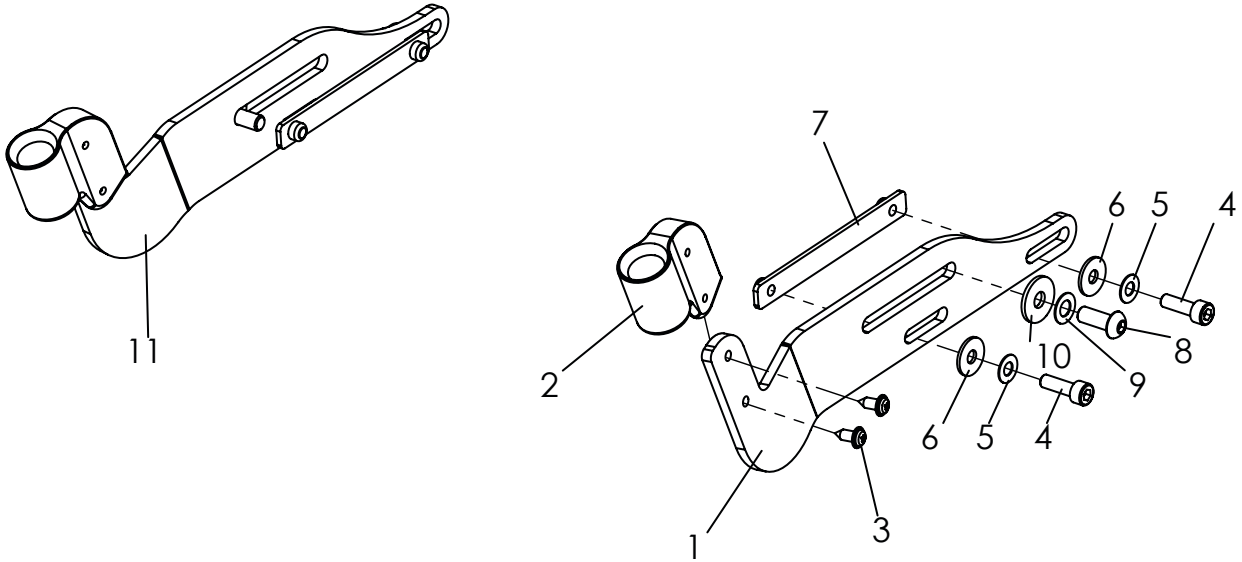
Pos	Article number	Articel description	Quantity	Unit
1-14	3231-7801	Bingo-Evo abduction block size 1 fixed, with out cover	1	Pc
	3231-7901	Bingo-Evo abduction block size 2 fixed, with out cover	1	Pc
	3233-7801	Bingo-Evo abduction block size 3 fixed, with out cover	1	Pc
1	3231-7820-032	A-wedge support	1	Pc
2	1114-0013	Bushing zp 8x0,8x20	1	Pc
3	1114-0012	Bushing zp 8x0,8x22,5	1	Pc
4	1029-0630	Button head socket screw M6x30	2	Pc
5	1042-0006	Hexagon nut self-locking M6	2	Pc
6	1021-0508	Cylinder head screw M5x8	1	Pc
7	1042-0005	Hexagon nut self-locking M5	3	Pc
8	3231-7831-032	Base plate abduction block receiver	1	Pc
9	1062-0410	Blind rivet F4x10	4	Pc
10	3231-7832	Arresting part for A-wedge	1	Pc
11	1021-0516	Hexagon socket head cap screw M5x16	2	Pc
12	1055-0005	Washer A5,3	1	Pc
13	3201-7810E	Wood wedge size 1 with PU-foam	1	Pc
	3201-7910E	Wood wedge size 2 with PU-foam	1	Pc
	3203-7810E	Wood wedge size 3 with PU-foam	1	Pc
14	1028-0430	Pressboard screw countersunk head 4x30	4	Pc
	3201-7840-323	Cover for abduction block size 1 iron grey	1	Pc
	3201-7940-323	Cover abduction block size 2 iron grey	1	Pc
	3203-7840-323	Cover for abduction block size 3 iron grey	1	Pc

Spare parts



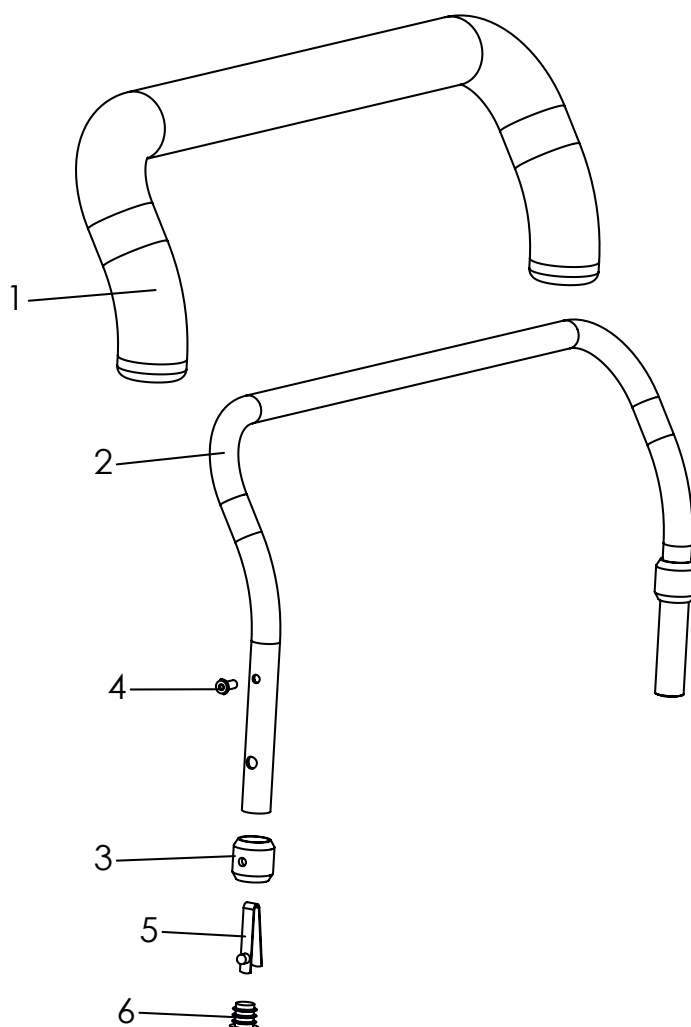
Pos	Article number	Articel description	Quantity	Unit
1-10	3232-2203-032	Retainer for accessories grab rail or therapy tray	1	Pair
1	3232-2232-032	Holder for accessories retainer left side	1	PC.
	3232-2242-032	Holder for accessories retainer right side	1	PC.
2	3231-2232	Retainer for accessories mould part	2	PC.
3	1039-0001	Screw for plastic, cross rcessed pan head w. flange 4x10	2	PC.
4	3232-2235	Threaded plate black galvanized	2	PC.
5	1021-0516-033	Hexagon socket head cap screw black M5x16	4	PC.
6	1052-0005-033	Spring washer B5 black	4	PC.
7	1055-0005-033	Washer A5,3 black	4	PC.
8	1029-0625-033	Button head socket screw black M6x25	2	PC.
9	1055-0006-033	Washer A6,4	2	PC.

Spare parts



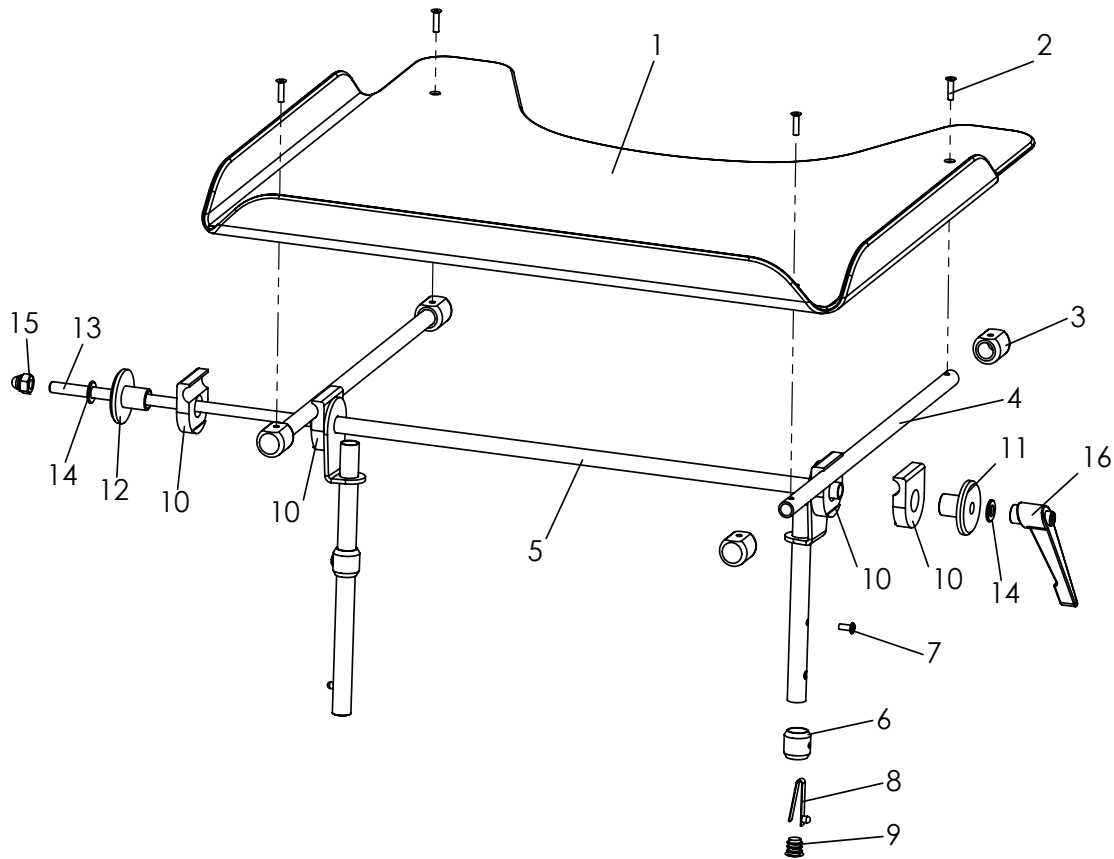
Pos	Article number	Articel description	Quantity	Unit
1-7	3230-2201	Retainer Mini, for accessories grab rail or therapy tray	1	Set
1	3230-2232	Holder for accessories retainer Mini, left side	1	Pc.
	3230-2242	Holder for accessories retainer Mini, right side	1	Pc.
2	3231-2232	Retainer for accessories mould part	2	Pc.
3	1039-0001	screw for plastic, cross rcessed pan head w. flange 4x10	4	Pc.
4	1021-0516-033	Hexagon socket head cap screw black M5x16	4	Pc.
5	1052-0005-033	Spring washer B5	4	Pc.
6	1055-0005-033	Washer A5,3	4	Pc.
7	3232-2235	Threaded plate black galvanized	2	Pc.

Spare parts



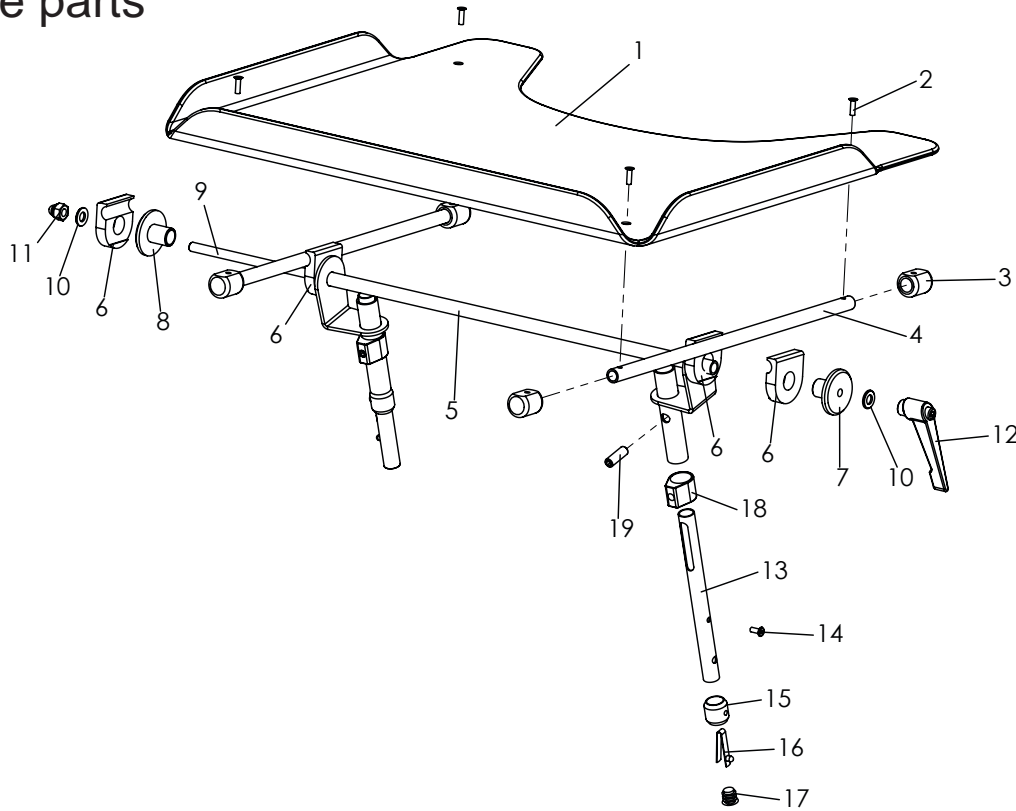
Pos	Article number	Articel description	Quantity	Unit
1-6	3230-8100	Grab rail with upholstery Mini	1	Pc.
	3231-8100	Grab rail with upholstery size 1	1	Pc.
	3233-8100	Grab rail with upholstery size 2	1	Pc.
1	3231-8110	Bend Tube for grab rail size 1	1	Pc.
	3233-8110	Bend Tube for grab rail size 2	1	Pc.
2	3231-8130	Upholstery foam material size 1, (60 cm)	1	Pc.
	3203-8130	Upholstery foam material size 2 (70 cm)	1	Pc.
3	3201-8120	Bushing	2	Pc.
4	1062-0408	Blind rivet St/St DIN/ISO 7337 F4x8	2	Pc.
5	1134-0005	Snap button A 102	2	Pc.
6	1141-0001	Ribbed insert SFL 14x0,8-2	2	Pc.
	3230-8140-323	Cover of grab rail Mini, iron grey	1	Pc.
	3231-8140-323	Cover of grab rail size 1, iron grey	1	Pc.
	3233-8140-323	Cover of grab rail size 2, iron grey	1	Pc.

Spare parts



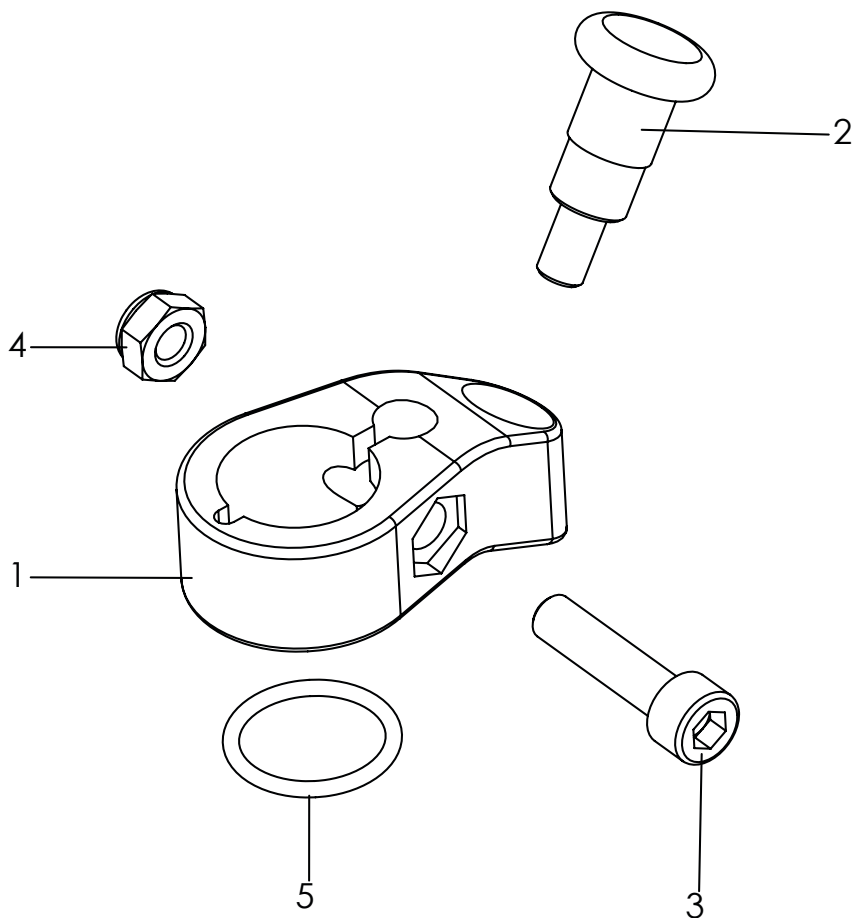
Pos	Article number	Articel description	Quantity	Unit
1-16	3231-8200	Therapy tray size 1, clear	1	Pc.
1-16	3233-8200	Therapy tray size 2, clear	1	Pc.
1-16	3230-8200	Therapy tray Mini, clear	1	Pc.
1	3231-8290	Tray plate only, clear	1	Pc.
	3231-8280	Tray plate clear, with rails	1	Pc.
	3231-8201	Therapy tray size 1, gray	1	Pc.
	3233-8201	Therapy tray size 2, gray	1	Pc.
	3230-8201	Therapy tray Mini, gray	1	Pc.
	3231-8291	Tray plate only, grey	1	Pc.
	3231-8281	Tray plate gray, with rails	1	Pc.
2	1063-0410	Blind rivet S4x10	4	Pc.
3	3201-8280	Bearing block	4	Pc.
4	3201-8270	Rail	2	Pc.
5-9	3231-8210E-032	Table base frame, size 1	1	Pc.
	3233-8210E-032	Table base frame, size 2	1	Pc.
	3230-8210E-032	Table base frame, size 3	1	Pc.
6	3201-8120	Bushing	2	Pc.
7	1062-0410	Blind rivet F4x10	2	Pc.
8	1134-0005	Snap button A 102	2	Pc.
9	1141-0001	Ribbed insert SFL 14x0,8-2	2	Pc.
10	3201-8230	Clamp half	4	Pc.
11	3201-8240	Clamp disk D 8,5	1	Pc.
12	3201-8250	Clamp disk M8	1	Pc.
13	1039-0002	Thread M8x47,2mm	0,47	m
14	1051-0008	Washer A8,4	2	Pc.
15	1044-0008	Hexagonal domed cap nut self-locking M8	1	Pc.
16	1121-0800	Locking lever PA black M8	1	Pc.

Spare parts



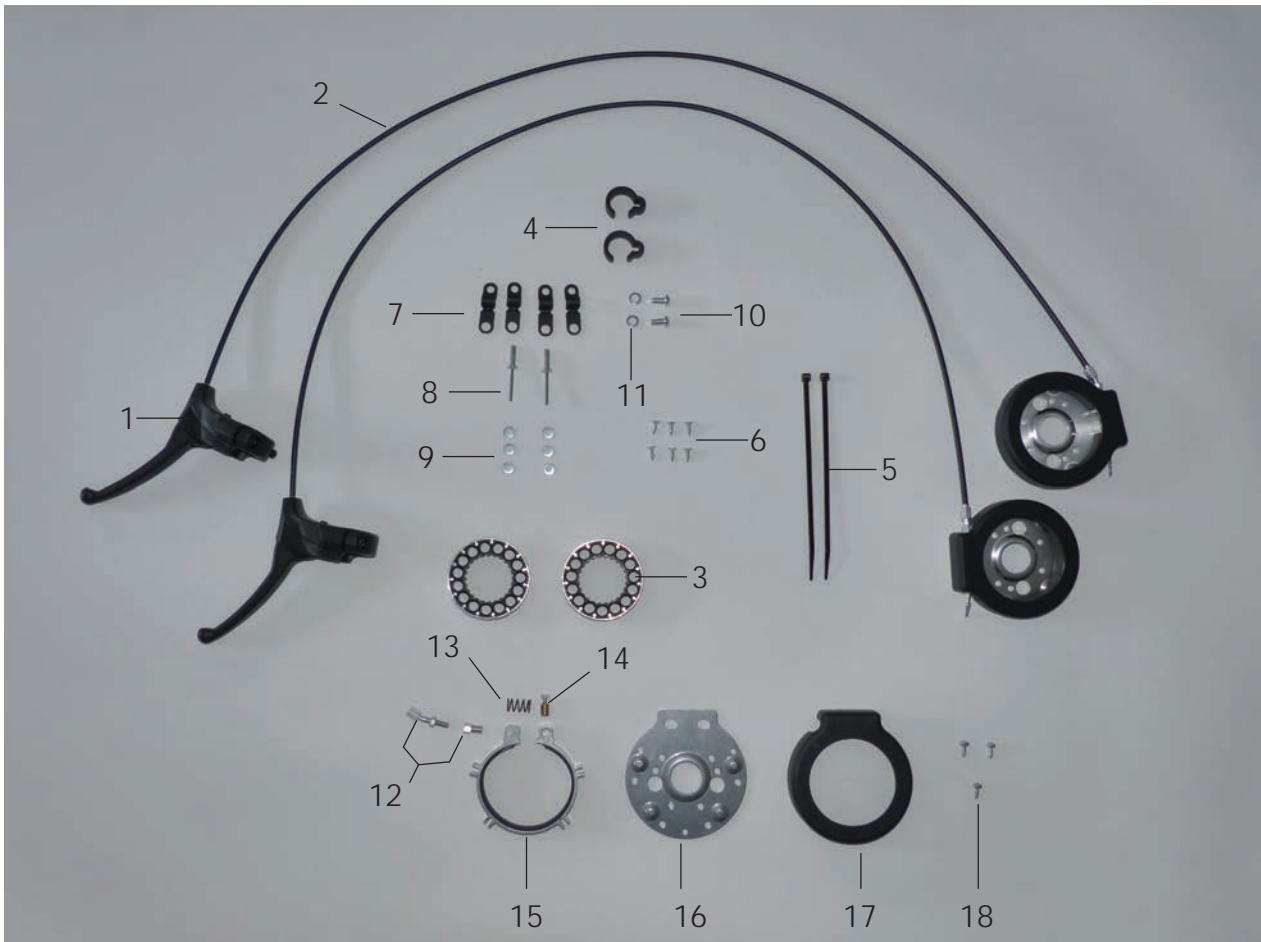
Pos	Article number	Articel description	Quantity	Unit
1-16	3230-8202	Therapy tray Mini, clear, height adjustable	1	Pc.
	3231-8202	Therapy tray size 1, clear, height adjustable	1	Pc.
	3233-8202	Therapy tray size 2, clear, height adjustable	1	Pc.
1	3231-8290	Tray plate only, clear	1	Pc.
1-4	3231-8280	Tray plate clear, with rails	1	Pc.
	3230-8203	Therapy tray Mini, gray, height adjustable	1	Pc.
	3231-8203	Therapy tray size 1, gray, height adjustable	1	Pc.
	3233-8203	Therapy tray size 2, gray, height adjustable	1	Pc.
	3231-8291	Tray plate only, grey	1	Pc.
1-4	3231-8281	Tray plate gray, with rails	1	Pc.
2	1063-0416	Blind rivet S4x10	4	Pc.
3	3201-8280	Bearing block	4	Pc.
4	3201-8270-016	Rail	2	Pc.
5	3230-8220-032	Table base frame, Mini, height adjustable	1	Pc.
	3231-8220-032	Table base frame, size 1, height adjustable	1	Pc.
	3233-8220-032	Table base frame, size 2, height adjustable	1	Pc.
6	3201-8230	Clamp half	4	Pc.
7	3201-8250	Clamp disk M8	1	Pc.
8	3201-8240	Clamp disk D 8,5	1	Pc.
9	1039-0002	Thread rod M8x1000	0,47	m
10	1051-0008	Washer A8,4	2	Pc.
11	1044-0008	Hexagonal domed cap nut self-locking M8	1	Pc.
12	1121-0800	Locking lever PA black M8	1	Pc.
13-17	3231-8215E	Support tube, adjustable left	1	Pc.
	3231-8216E	Support tube, adjustable right	1	Pc.
14	1062-0408	Blind rivet F4x8	2	Pc.
15	3201-8120	Bushing	2	Pc.
16	1134-0005	Snap button A 102	2	Pc.
17	1141-0001	Ribbed insert SFL 14x0,8-2	2	Pc.
18	3201-8221	Clamp ring for height adjustable tray	2	Pc.
19	1031-0825	Hexagon socket set screw M8x25	2	Pc.

Spare parts



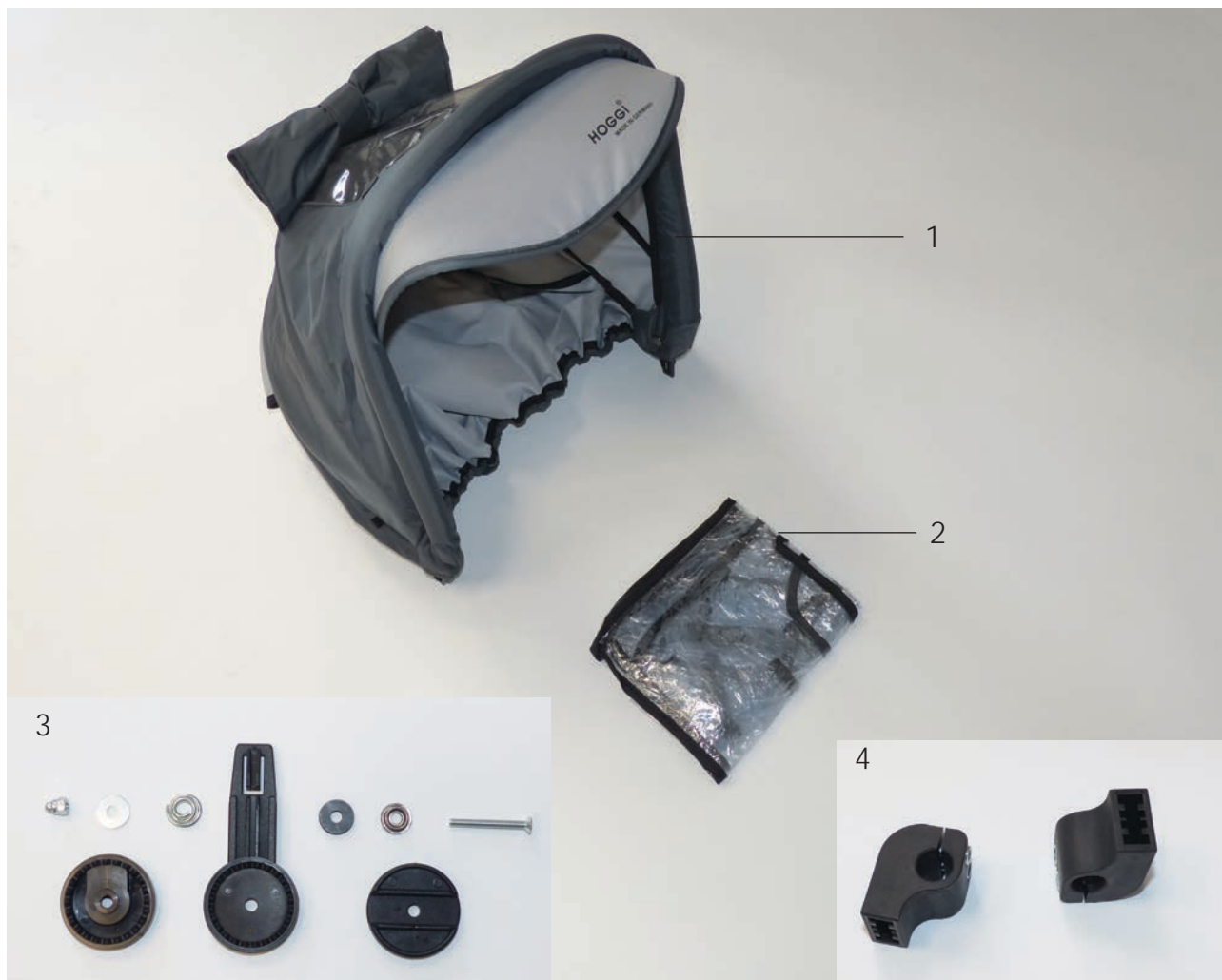
Pos	Article number	Articel description	Quantity	Unit
1-5	3202-7100	Swivel lock, for two castor fork`s	1	Set
1	3202-7110	Swivel lock housing	2	Pc.
2	1127-0009	Lock pin, with interlocksystem	2	Pc.
3	1021-0625	Hexagon socket head cap screw M6x25	2	Pc.
4	1042-0006	Hexagon nut self-locking M6	2	Pc.
5	1150-0001	O-ring NBR 18x2	2	Pc.

Spare parts



Pos	Article number	Articel description	Quantity	Unit
1-11	3231-7201	Attendant brake, two hand use,mounted at the Push bar	1	Set
	3231-7202	Attendant brake, two hand use, mounted at the ratchet joints	1	Set
	3235-7201	Attendant brake, two hand use,mounted at the Push bar	1	Set
	3235-7202	Attendant brake, two hand use, mounted at the ratchet joints	1	Set
1	1209-0021	Hand brake 80° no lock 22 mm	2	Pc.
	1209-0022	Hand brake 36° no lock 22 mm	2	Pc.
2	1209-0001	Break wire set 1,5m cable	2	Pc.
3	1204-0005	Brake disc with aluminium-ring	2	Pc.
4	1149-0001	Cable clip D 25	2	Pc.
5	1089-0004	Cable tie, black, 5x180	2	Pc.
6	1039-0006	Tapping screw with countersunk head	6	Pc.
7	1149-0003	Cable clip d 6,4 / 8 mm, black	4	Pc.
8	1062-0516	Blind rivet F5x16	2	Pc.
9	1051-0005	Washer A5,3 zp DIN/ISO 125 A5,3	6	Pc.
10	1029-0616	button head socket screw M6x16	2	Pc.
11	1050-0006	Washer A6,4	2	Pc.
12-18		Spare parts, Attendant brake		
12	3231-7217	Setscrew for cable, 160° angle	1	Pc.
13	1131-0073	Compression spring for hub brake	1	Pc.
14	1099-0015	Screw nipple	1	Pc.
15	3231-7213	Alu-profile bracket with brake pad	1	Pc.
16	3231-7214	Base plate for hub brake	1	Pc.
17	3231-7212	Cover for hub brake	1	Pc.
18	1039-0001	Screw for plastic, cross rcessed pan head w. flange zp 4x10	3	Pc.

Spare parts



Pos	Article number	Articel description	Quantity	Unit
1-4	3201-9300-323	Canopy size 1, incl. adapter and rain protection, iron gray	1	Set
	3235-9300-323	Canopy size 2, incl. adapter and rain protection, iron gray	1	Set
1	7000-0007-323	Canopy with rain cover, gray	1	Pc.
2	7000-0008	Rain cover for canopy, BINGO	1	Pc.
	7000-0037	Rain cover for canopy Zip size 2	1	Pc.
3	7000-0004	Ratchet joint for canopy with fasteners	2	Pc.
4	3201-9310E	Canopy adapter with fastener complete	1	Set

HOGGI GmbH
Eulerstraße 27 • 56235 Ransbach-Baumbach • Deutschland
Telefon: (+49) 2623 / 92 499-0 • Telefax: (+49) 2623 / 92 499-99
E-mail: info@hoggi.de • www.hoggi.de
