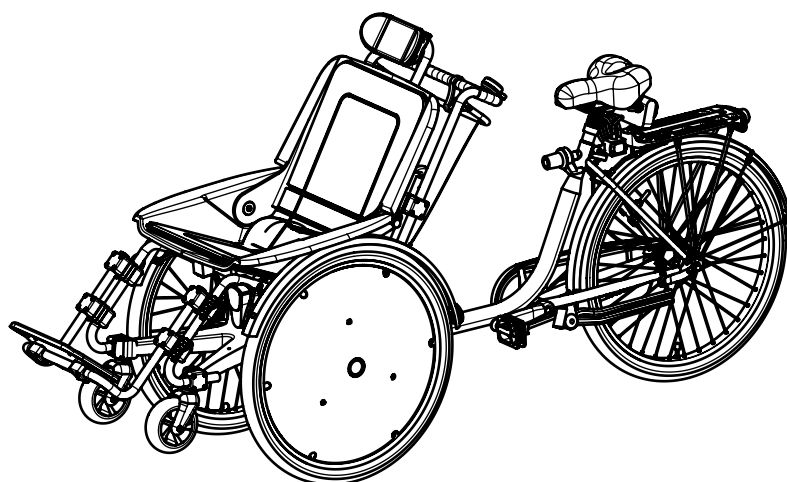
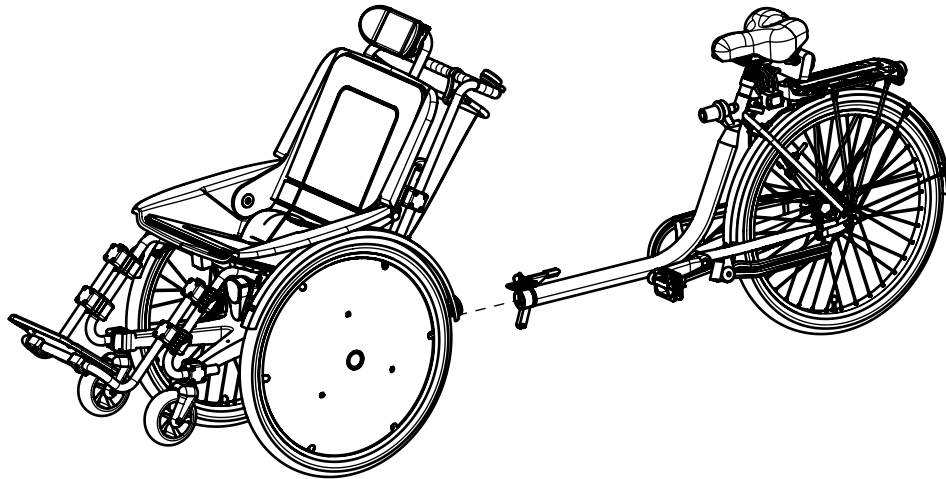


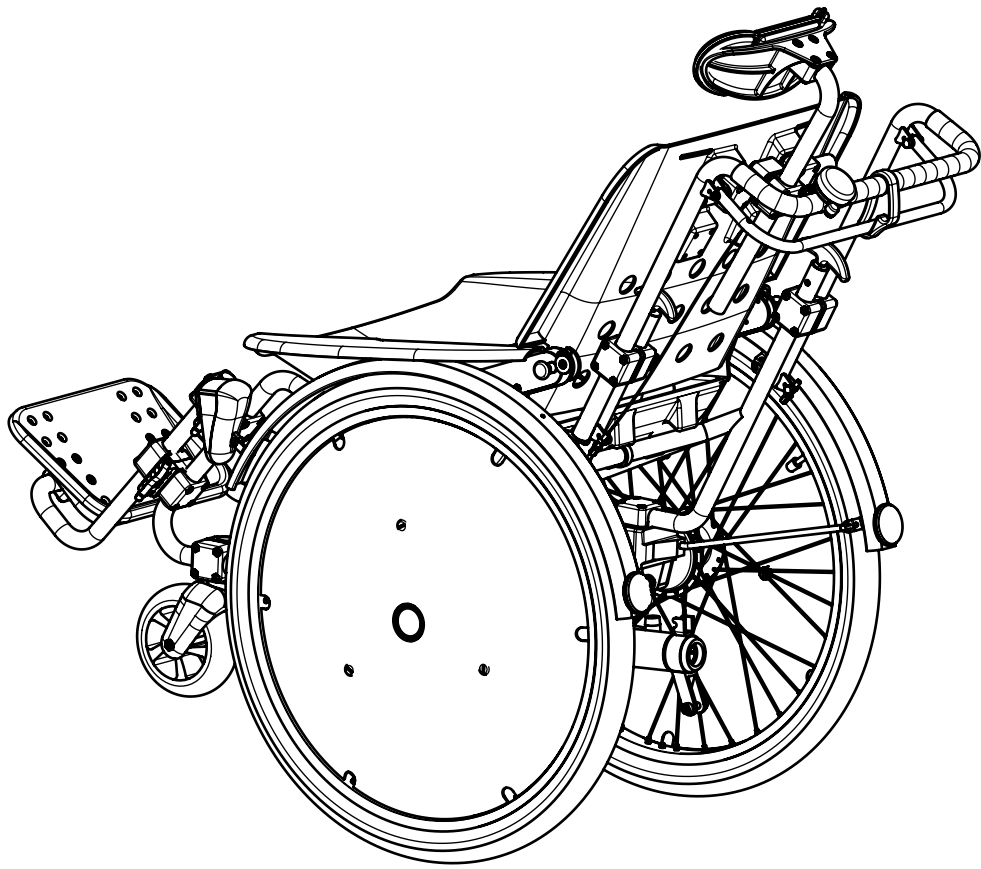
Exploded view

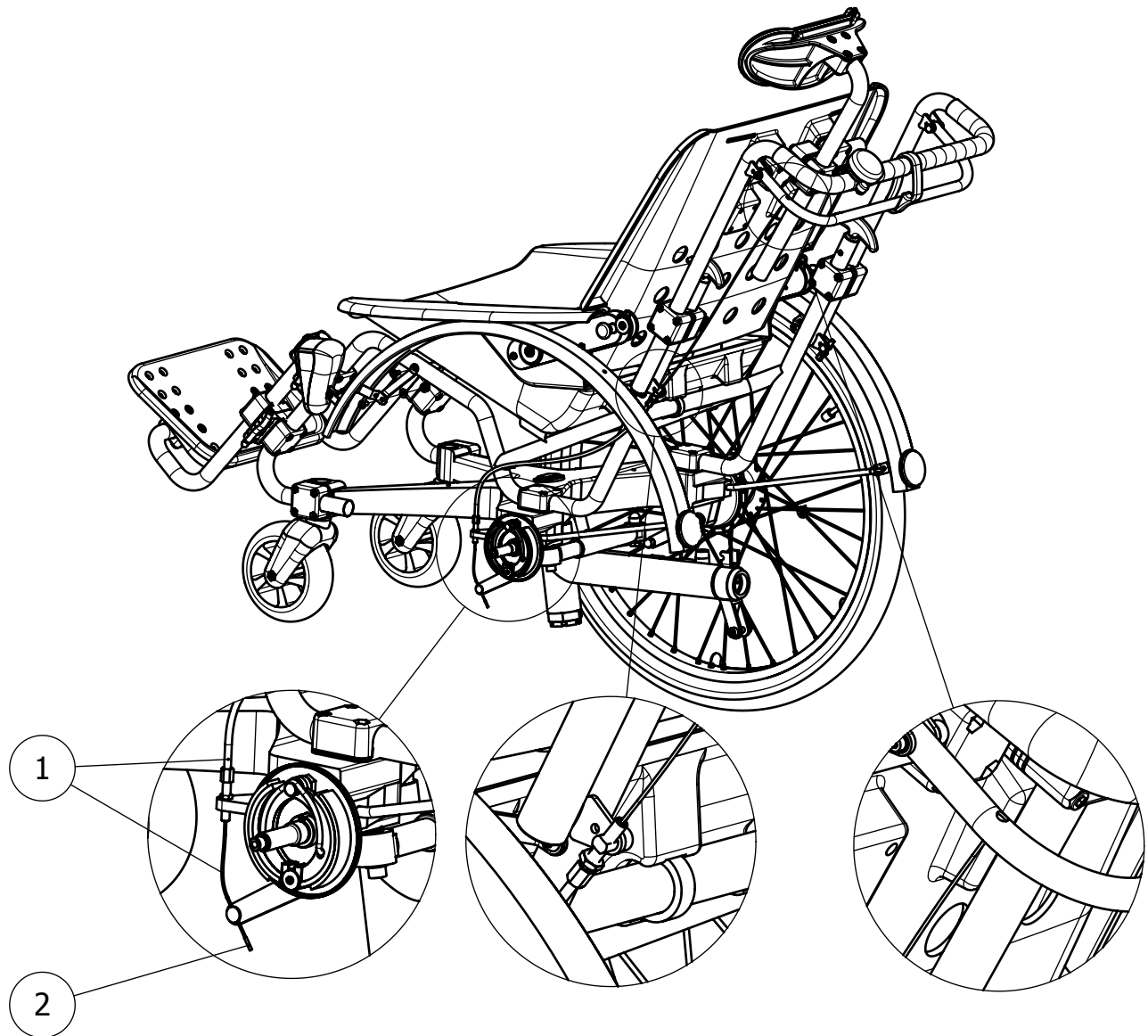
DUET



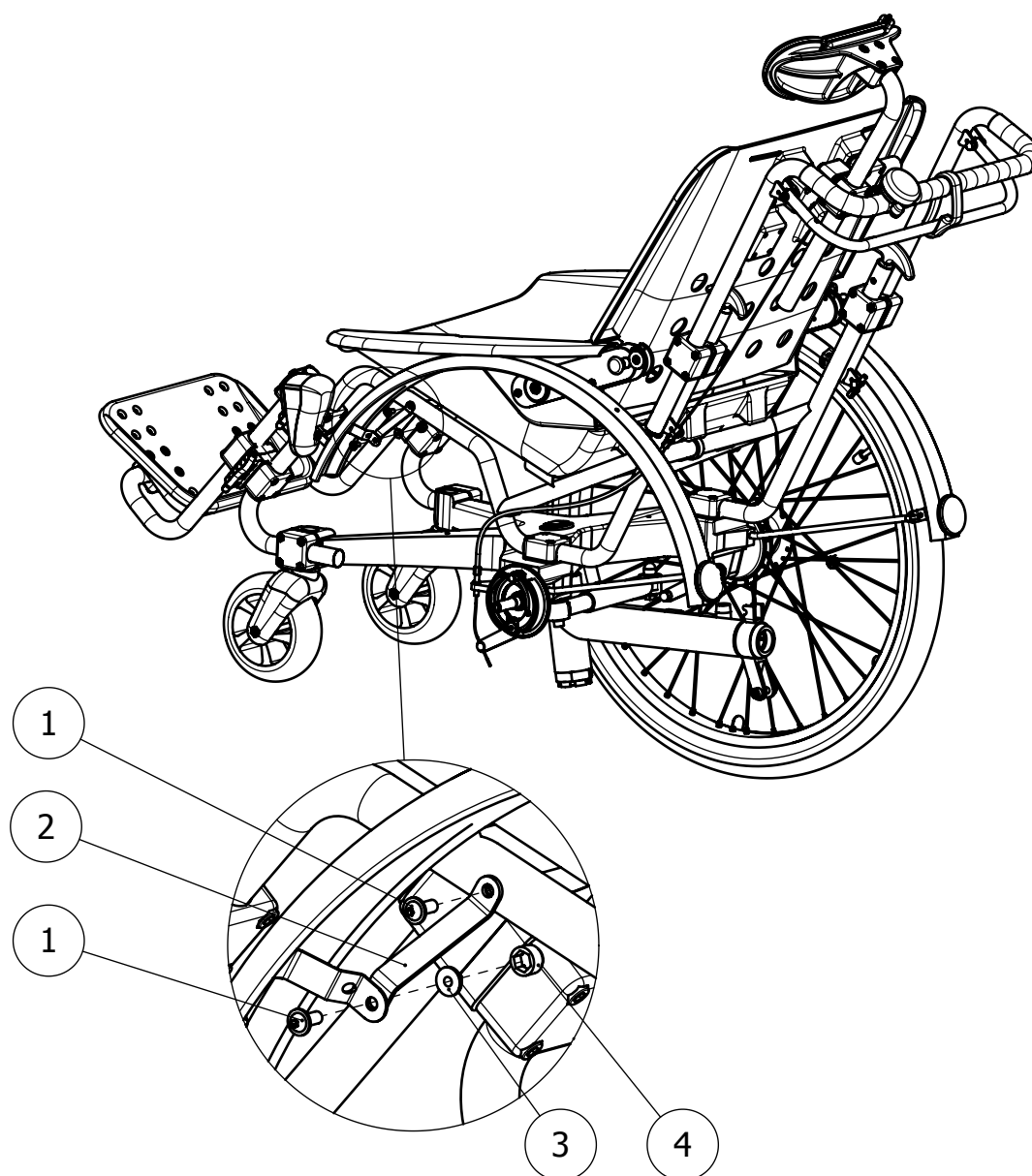




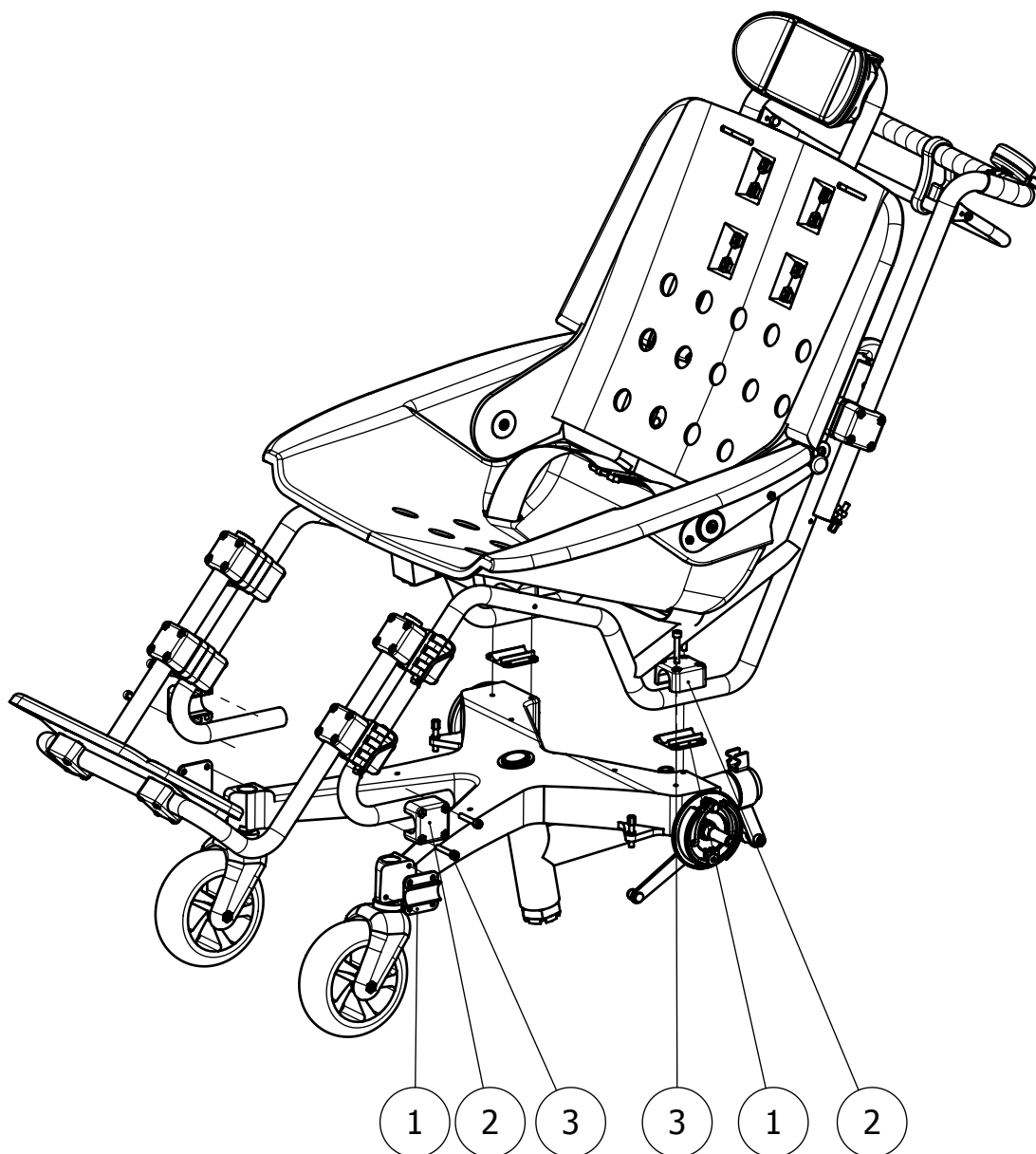




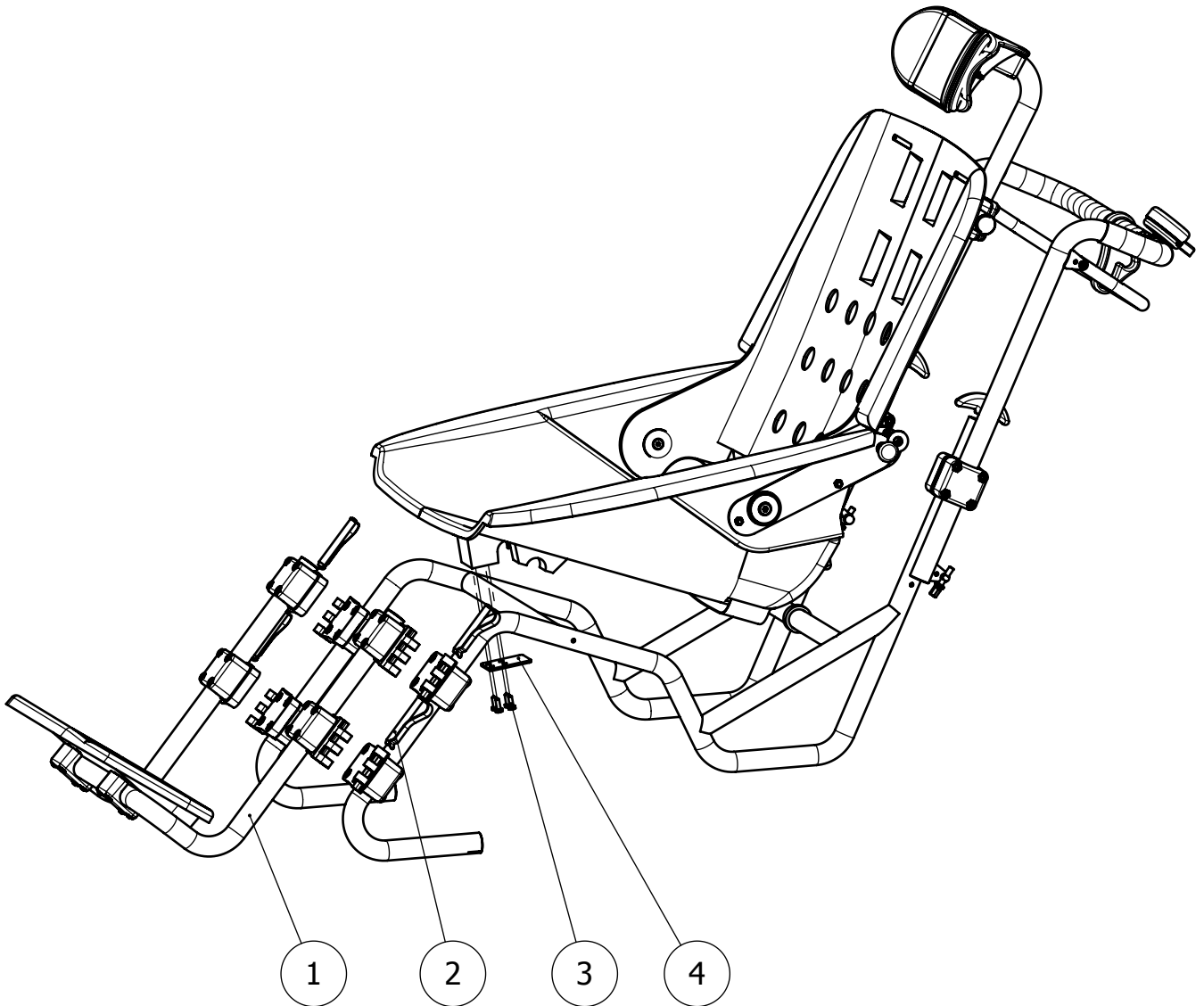
No.	code	description
1	27134	Brake cable set
2	24649	Nipple



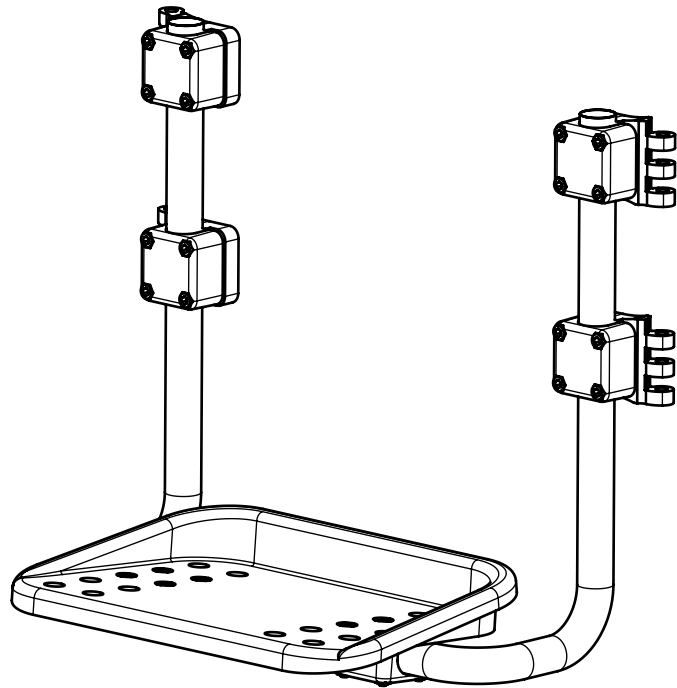
No.	code	description
1	38268	Bolt M5 x 12 mm
2	1-008046	Mounting bracket mudguard
3	10212	Nut M5
4	75221	Plastic Nut cover M5

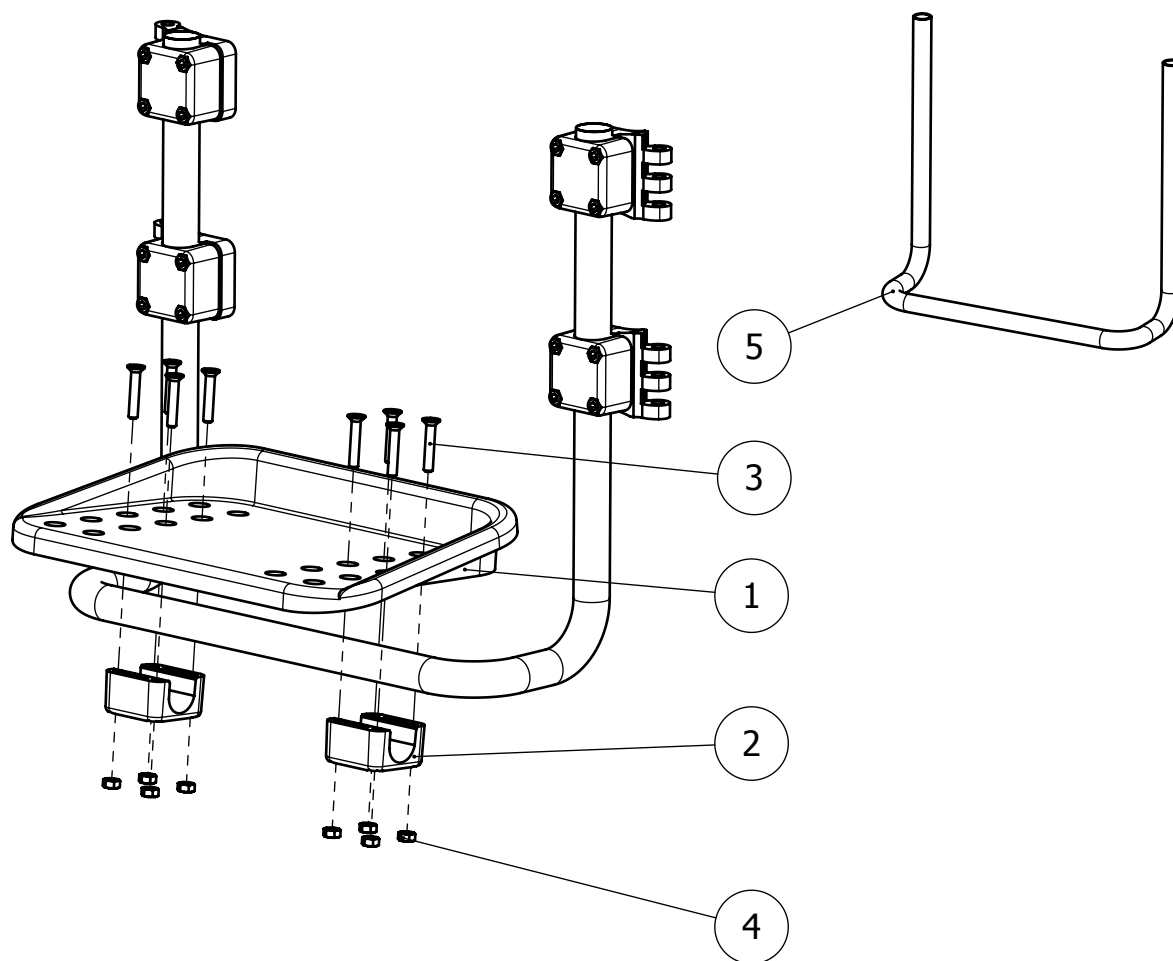


No.	code	description
1	1-590071	Mounting block intermediate plate
2	1-590070	Mounting block 24mm
3	12936	Bolt M6 x 35 mm

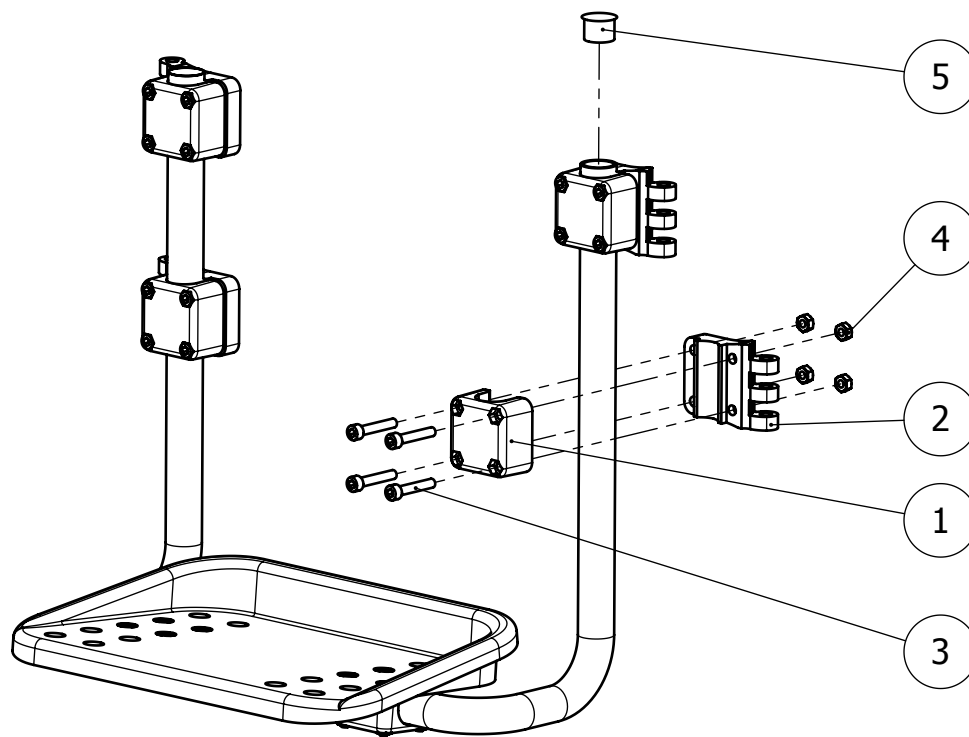


No.	code	description
1	1-590028	Leg rest Duet
2	1-590052	Shaft for hinge footrest
3	1-997492	Mounting screw for seat shell
4	1-008120	Mounting plate for seat shell

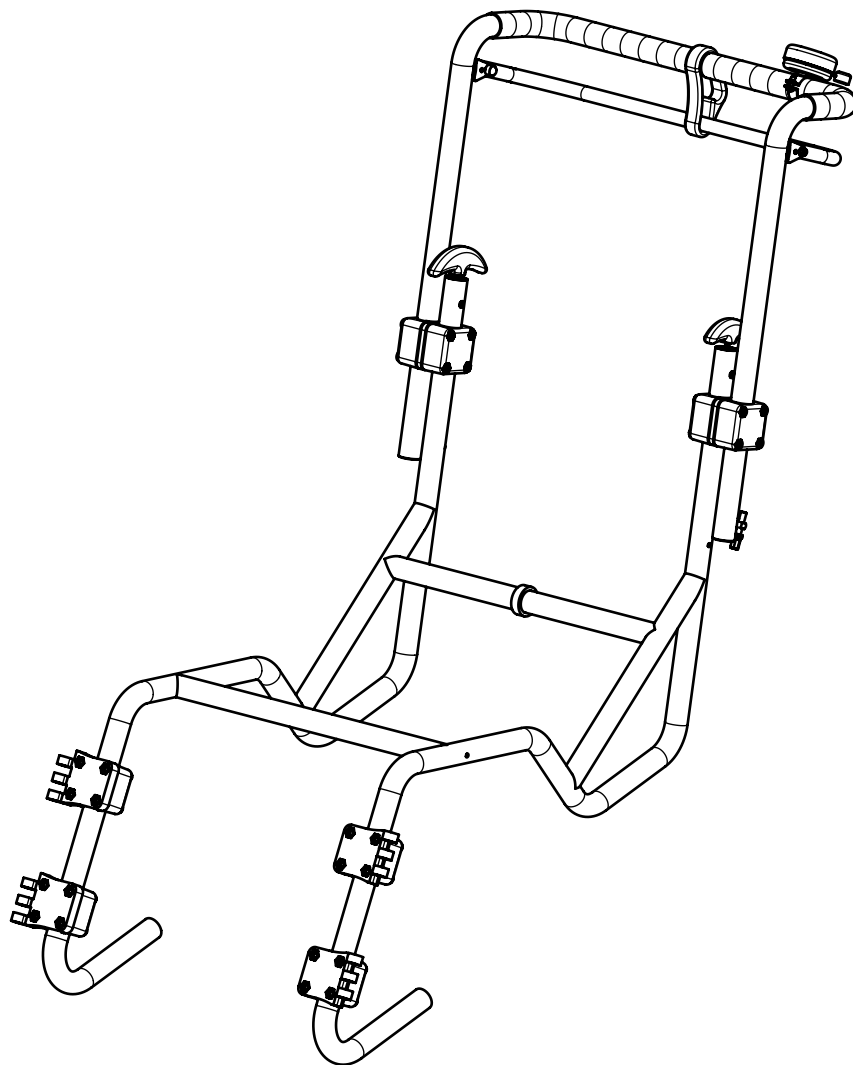


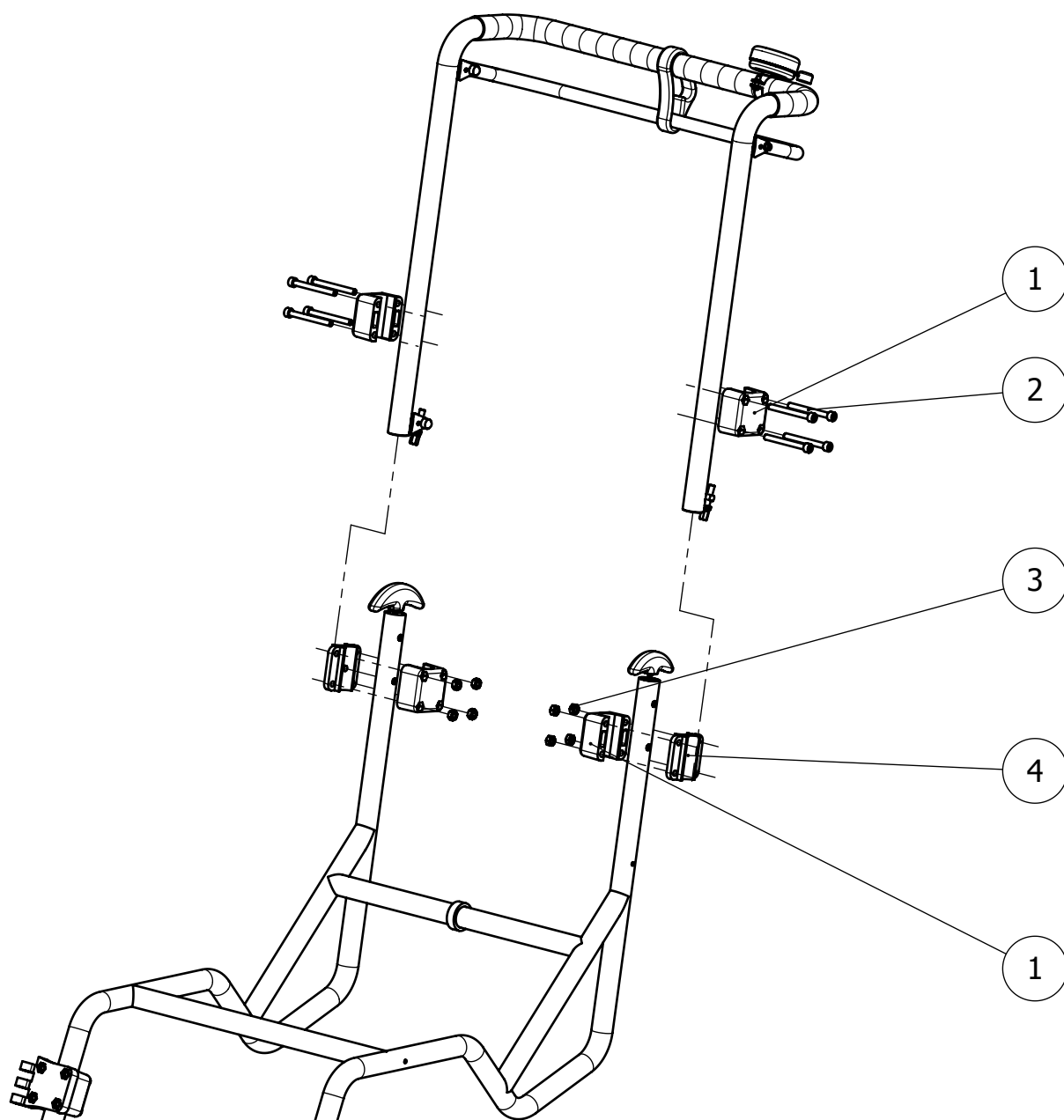


No.	code	description
1	1-590026	Foot plate
2	1-590070	Mounting block 24mm
3	51260	Bolt M6 x 40mm
4	10140	Nut M6
5	1-008005	Frame for foot plate

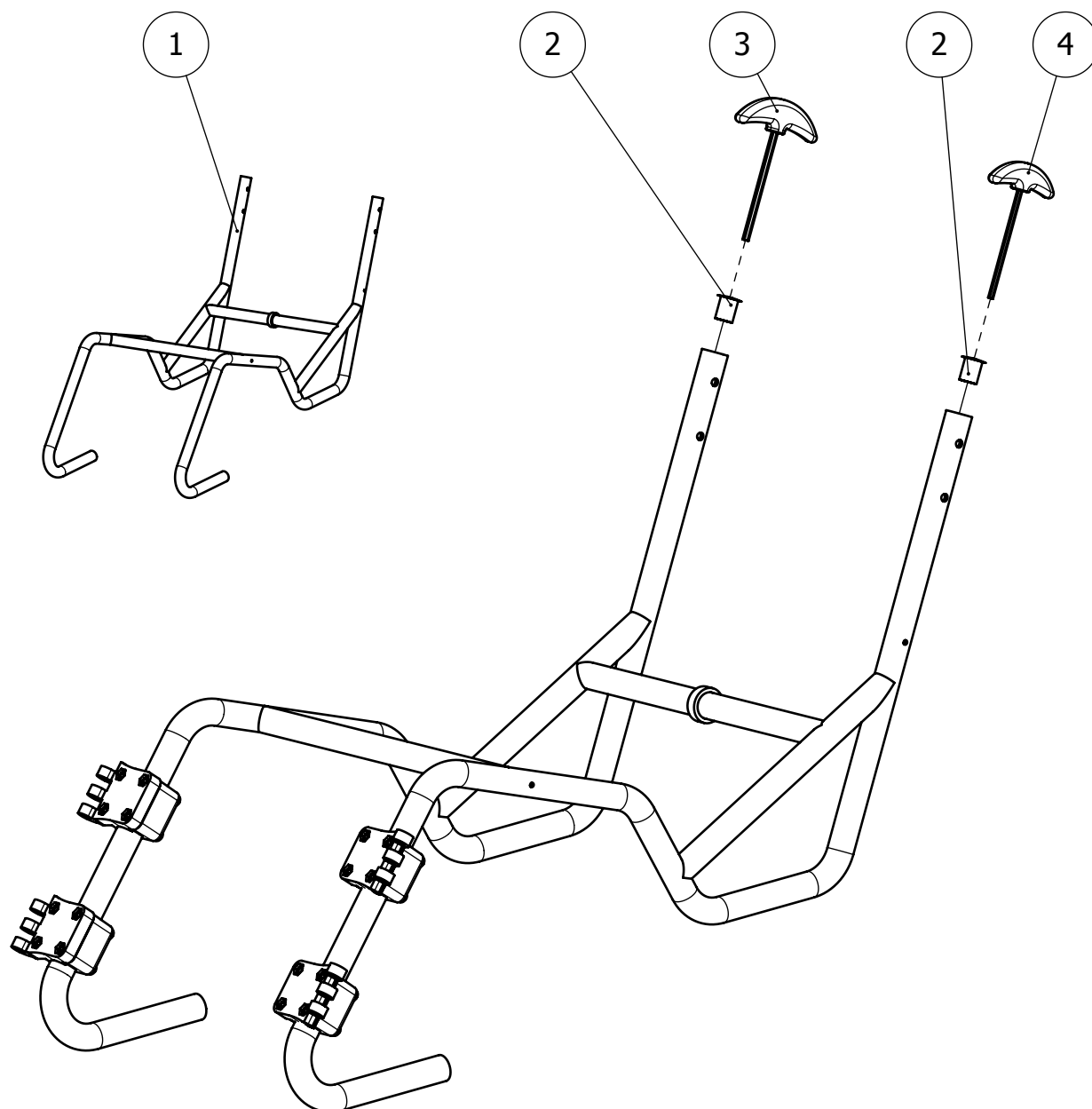


No.	code	description
1	1-590070	Mounting block 24mm
2	1-590076	Mounting block intermediate plate with hinge
3	12936	Bolt M6 x 35mm
4	10140	Nut M6
5	10073	Plugg-in cover 22mm

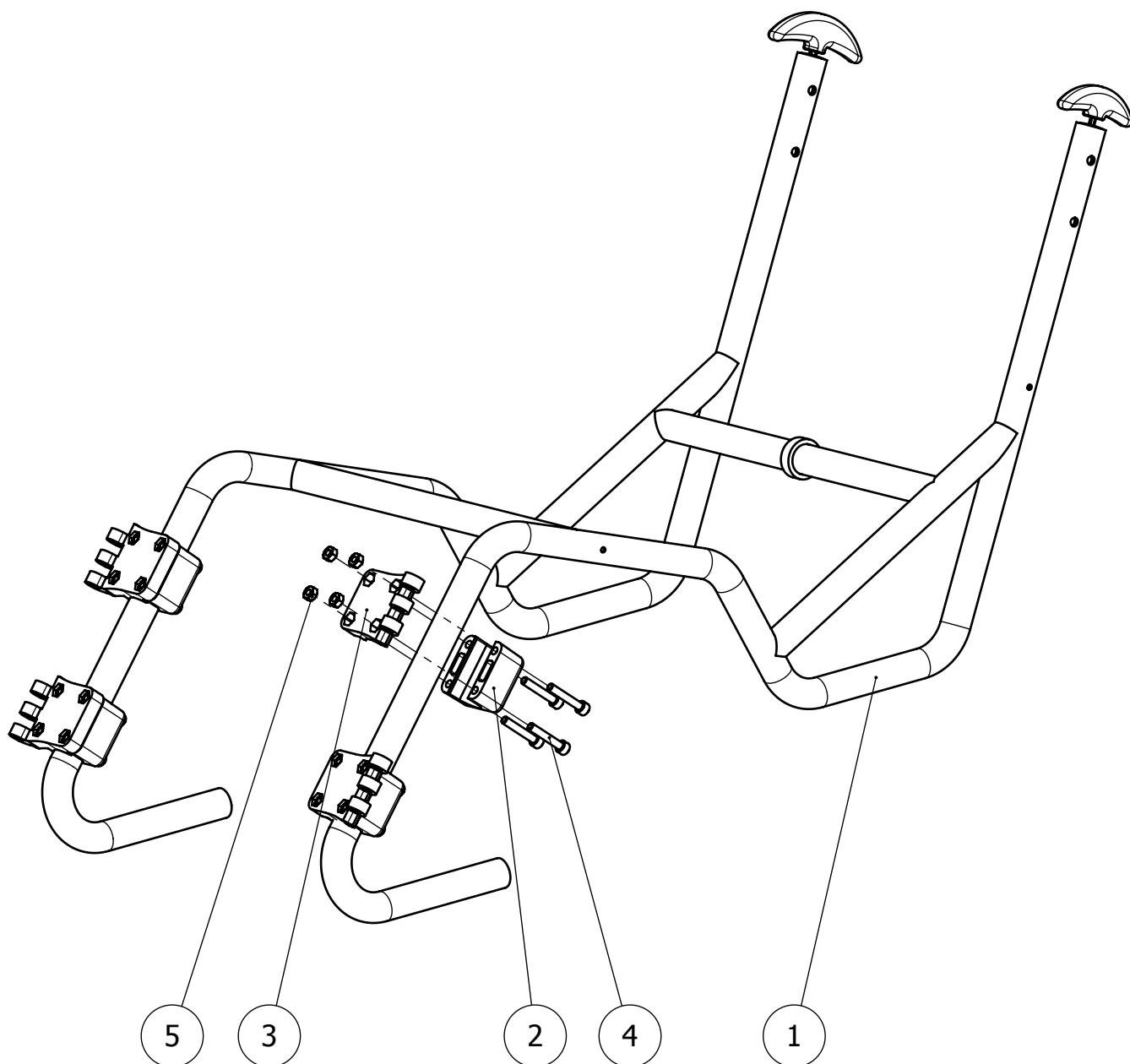




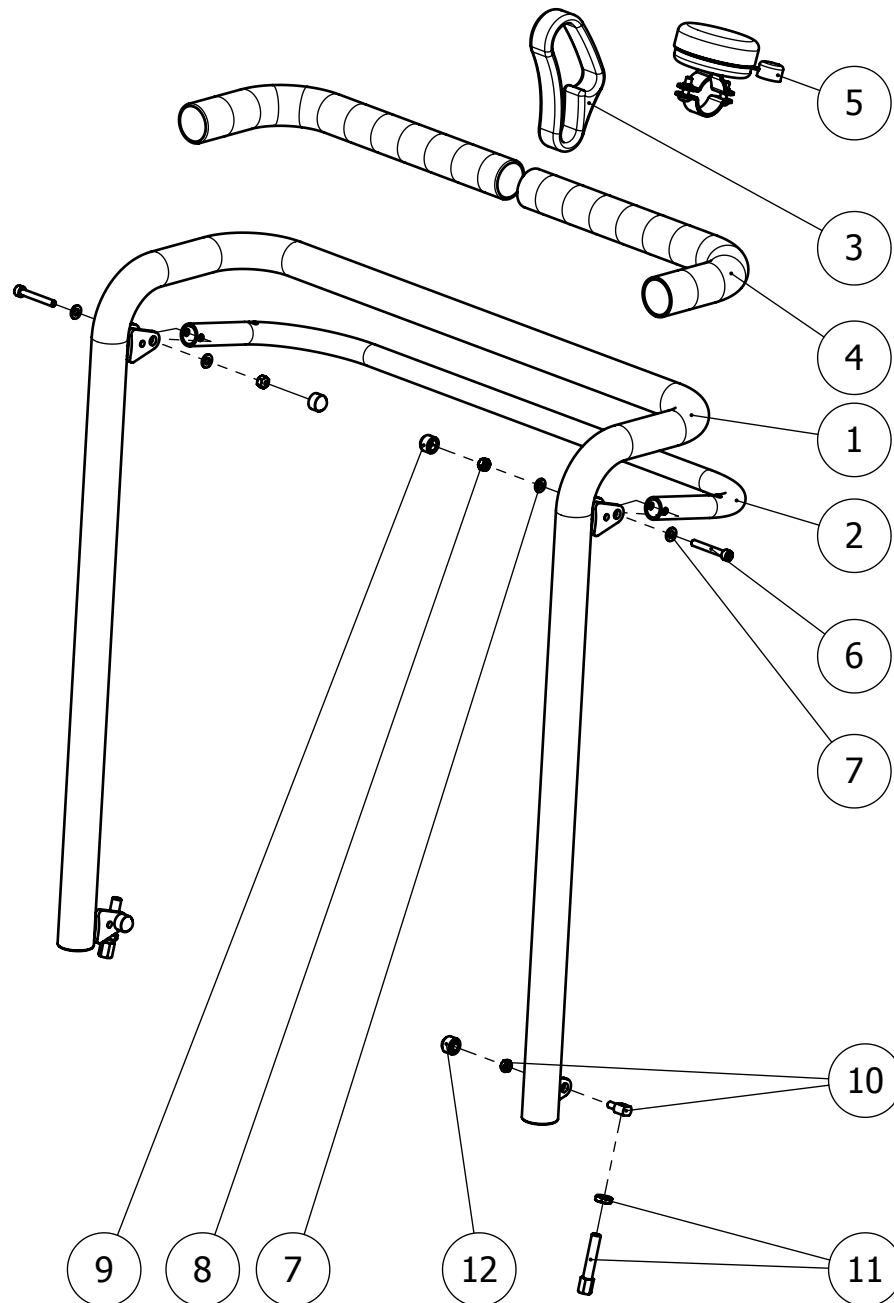
No.	code	description
1	1-590070	Mounting block 24mm
2	51357	Bolt M6 x 60mm
3	10140	Nut M6
4	1-590074	Mounting block intermediate plate double



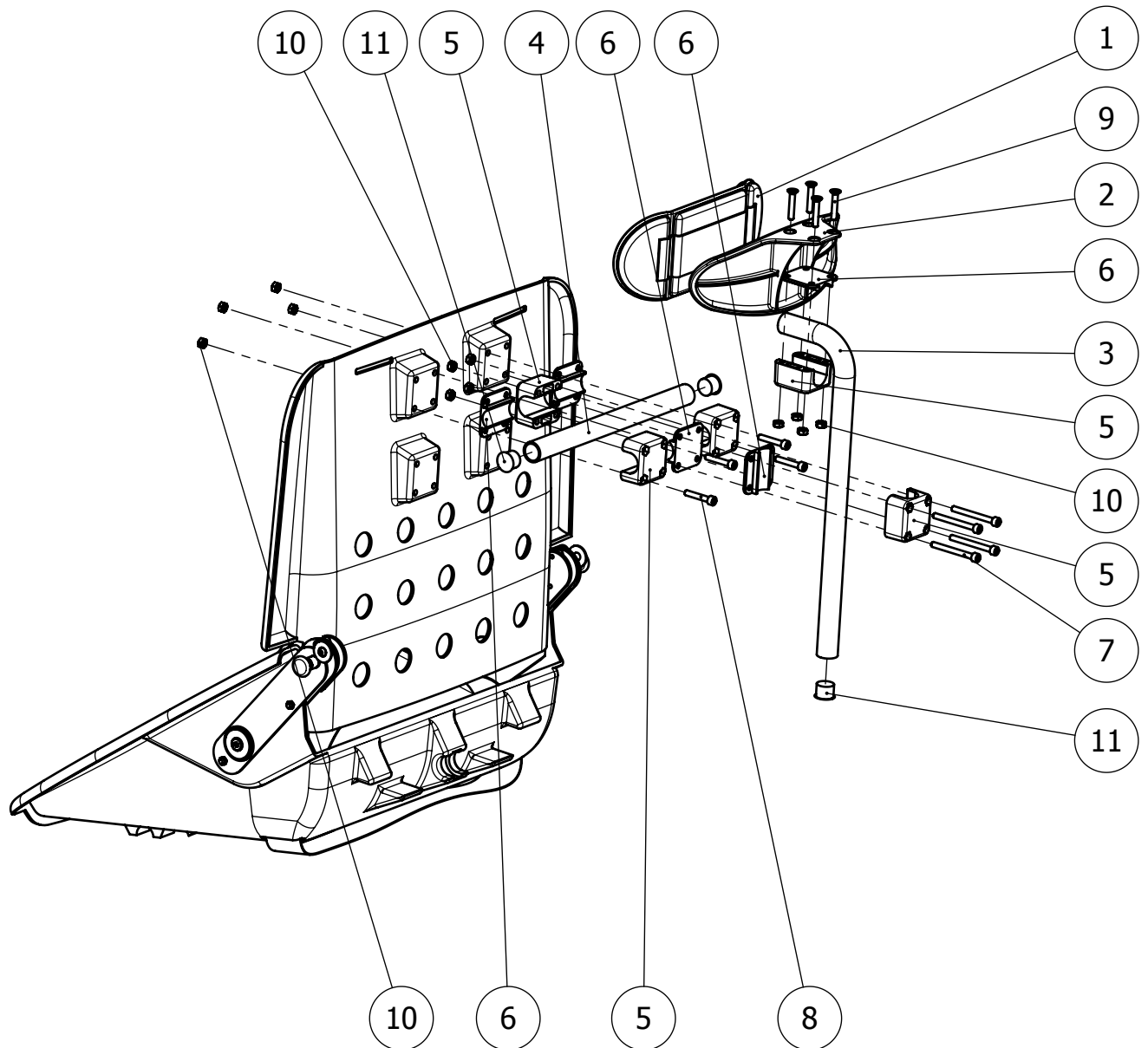
No.	code	description
1	1-008000	Mounting frame for seat shell
2	26780	Plugg-in cover 27mm
3	1-008105	Socket-head screw wrench 5mm
4	1-008104	Socket-head screw wrench 4mm



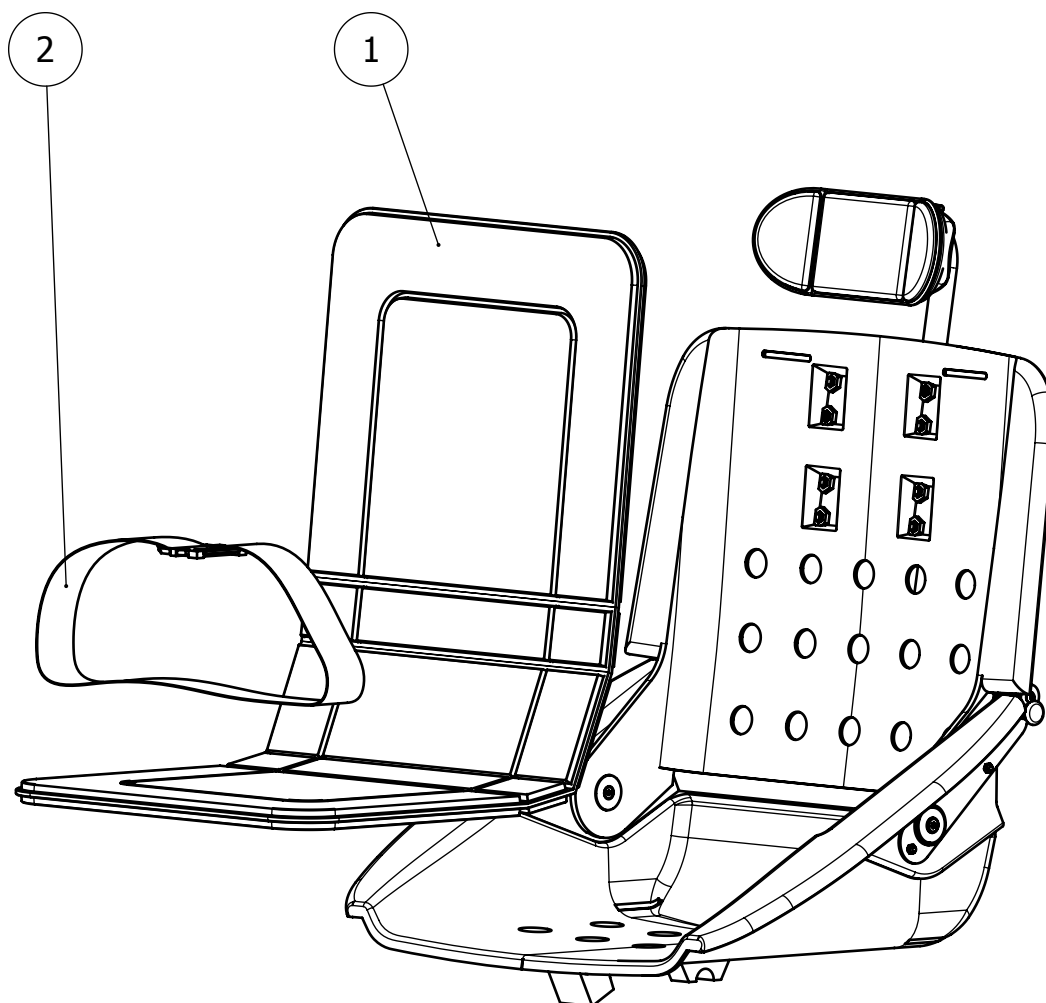
No.	code	description
1	1-008000	Mounting frame for seat shell
2	1-590070	Mounting block 24mm
3	1-590076	Mounting block intermediate plate with hing
4	12936	Bolt M6 x 35mm
5	10140	Nut M6



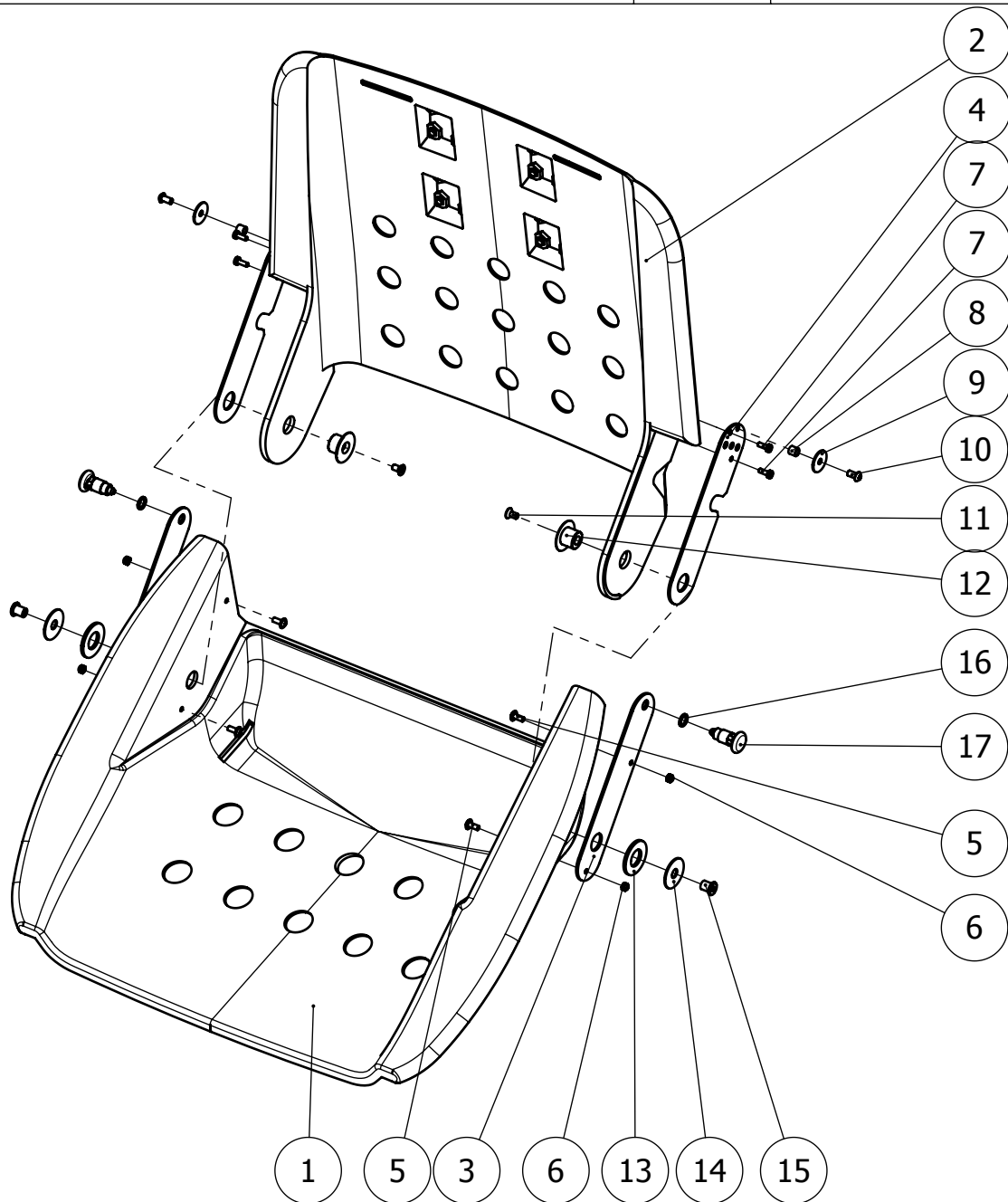
No.	code	description
1	1-008006	Handlebar
2	1-008007	Brake handle
3	1-008027	Parking brake
4	1-008108	Handlebar tape
5	1-008029	Bike bell
6	51157	Bolt M4 x 30mm
7	51149	Nut M4
8	35020	Washer M4
9	75214	Plastic nut cover M4
10	1-008093	Brake cable holder
11	1-008127	Adjusting screw for brake cable
12	75221	Plastic nut cover M5



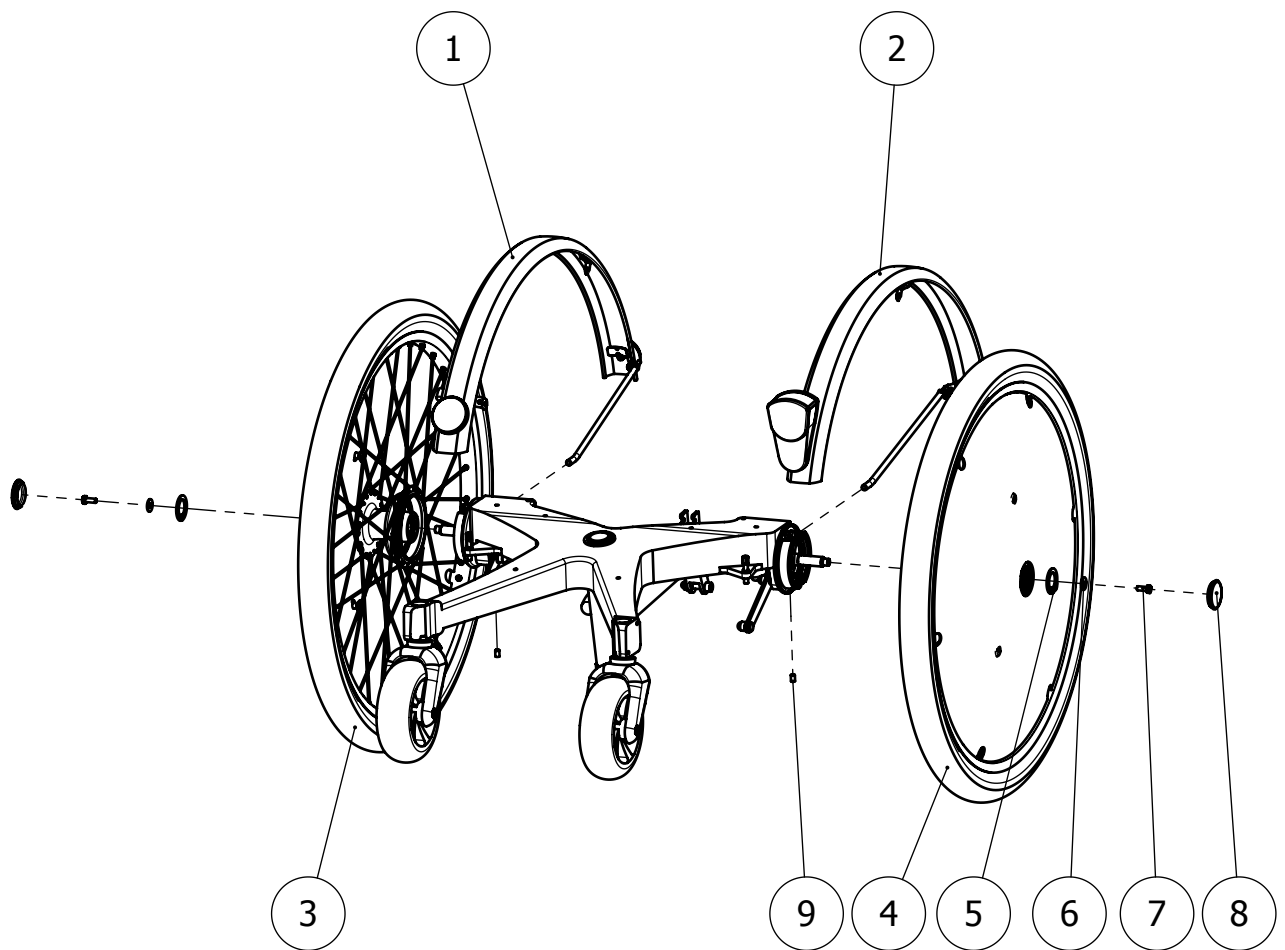
No.	code	description
1	1-590032	Cushion for headrest
2	1-590002	headrest shell
3	1-590072	Mounting tube for headrest
4	1-590073	mounting tube
5	1-590070	Mounting block 24mm
6	1-590071	Mounting blok intermediate plate
7	12936	Bolt M6 x 35mm
8	51357	Bolt M6 x 60mm
9	14034	Bolt M6 x 35mm countersunk
10	10140	Nut M6
11	26780	Plugg-in cover 27mm



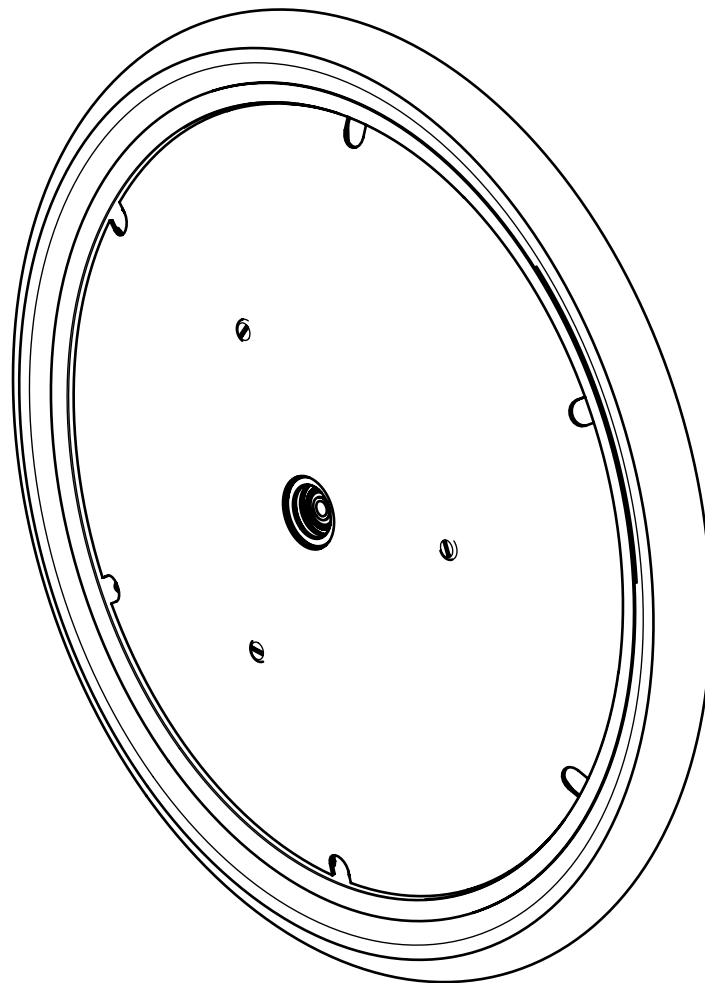
No.	code	description
1	1-590029	Cushion for seat shell
2	1-590027	Hipbelt Duet

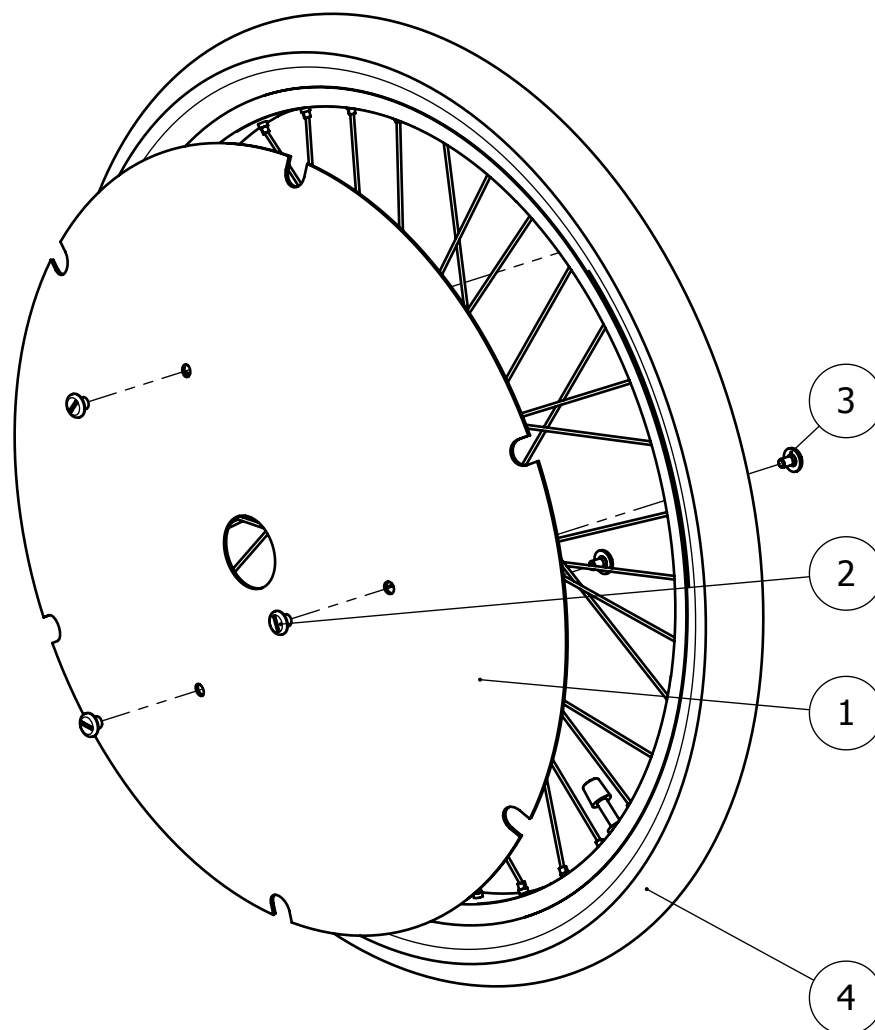


No.	code	description
1	1-590051	Seat part of seat shell
2	1-590059	Back part of seat shell
3	10087	Mounting plate 218 seat part
4	10086	Mounting plate 210 back part
5	51462	Bolt M5 x 18mm
6	10202	Lock nut M5
7	1-010099	Adapter bush
8	25011	Screw for seat shell
9	35109	Washer M6 - 25mm
10	51628	Bolt M6 x 12mm
11	10594	Bolt M6 countersunk
12	1-010089	Mounting bush for Hinge
13	25010	Nylon washer 34 - 21,2 mm
14	23971	Washer M10 - 30mm
15	1-010085	Safety nut M6
16	1-010088	Adapter bush
17	1-11000	Roller catch

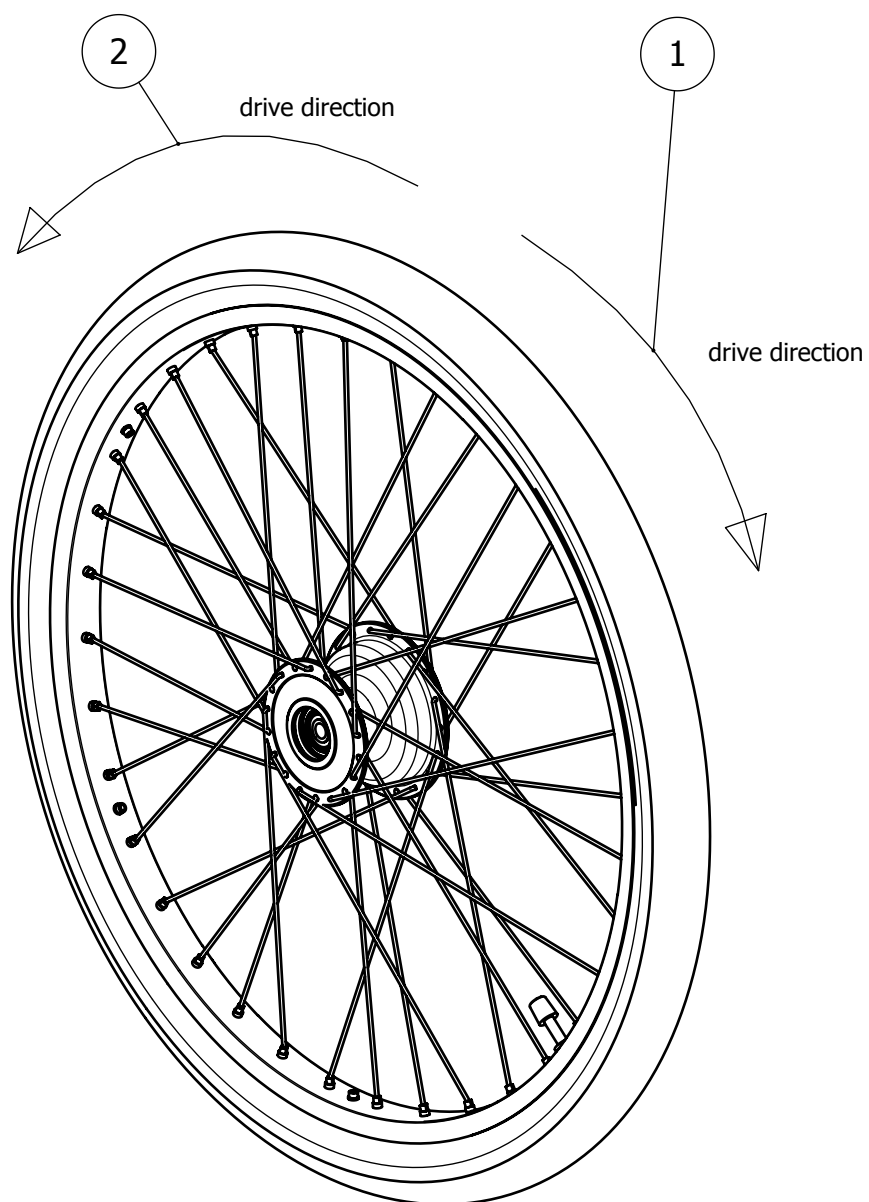


No.	code	description
1	sheet 25	Assy mud guard right
2	sheet 27	Assy mud guard left
3	sheet 20	Assy wheel 26" x 1,75 with cover Right
4	sheet 20	Assy wheel 26" x 1,75 with cover Left
5	10156	Retaining ring 3091/09 D35
6	10152	Washer M6
7	1-008125	Plastic cover for nave frontwheel
8	10181	Bolt M6 x 20mm
9	12965	internal wrenching bolt M5



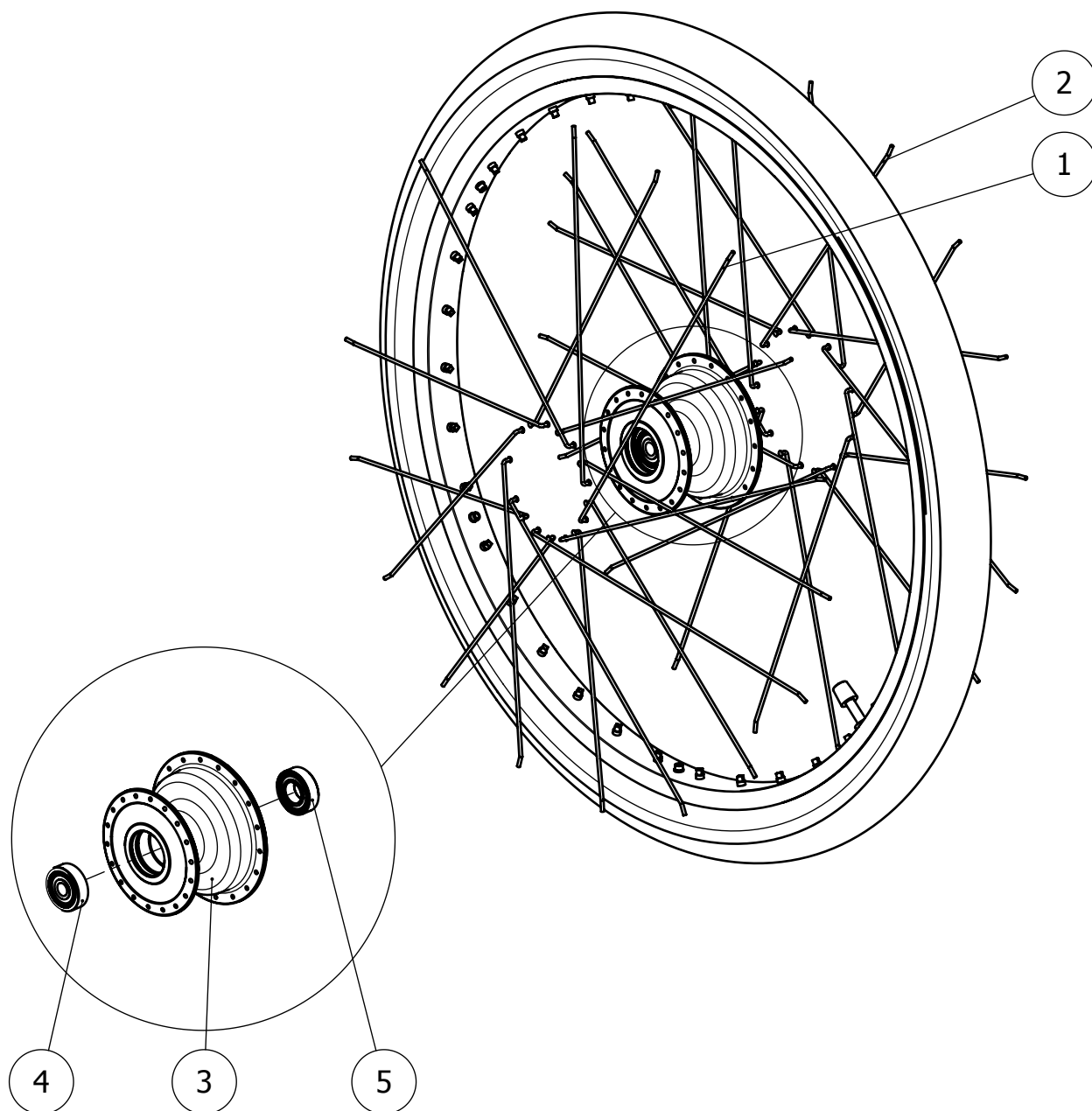


No.	code	description
1	1-590003	Spoke cover
2	31636	Nylon mounting screw for Spoke cover
3	31634	Nylon mounting bush for Spoke cover
4	sheet 22	Assy wheel 26" x 1,75

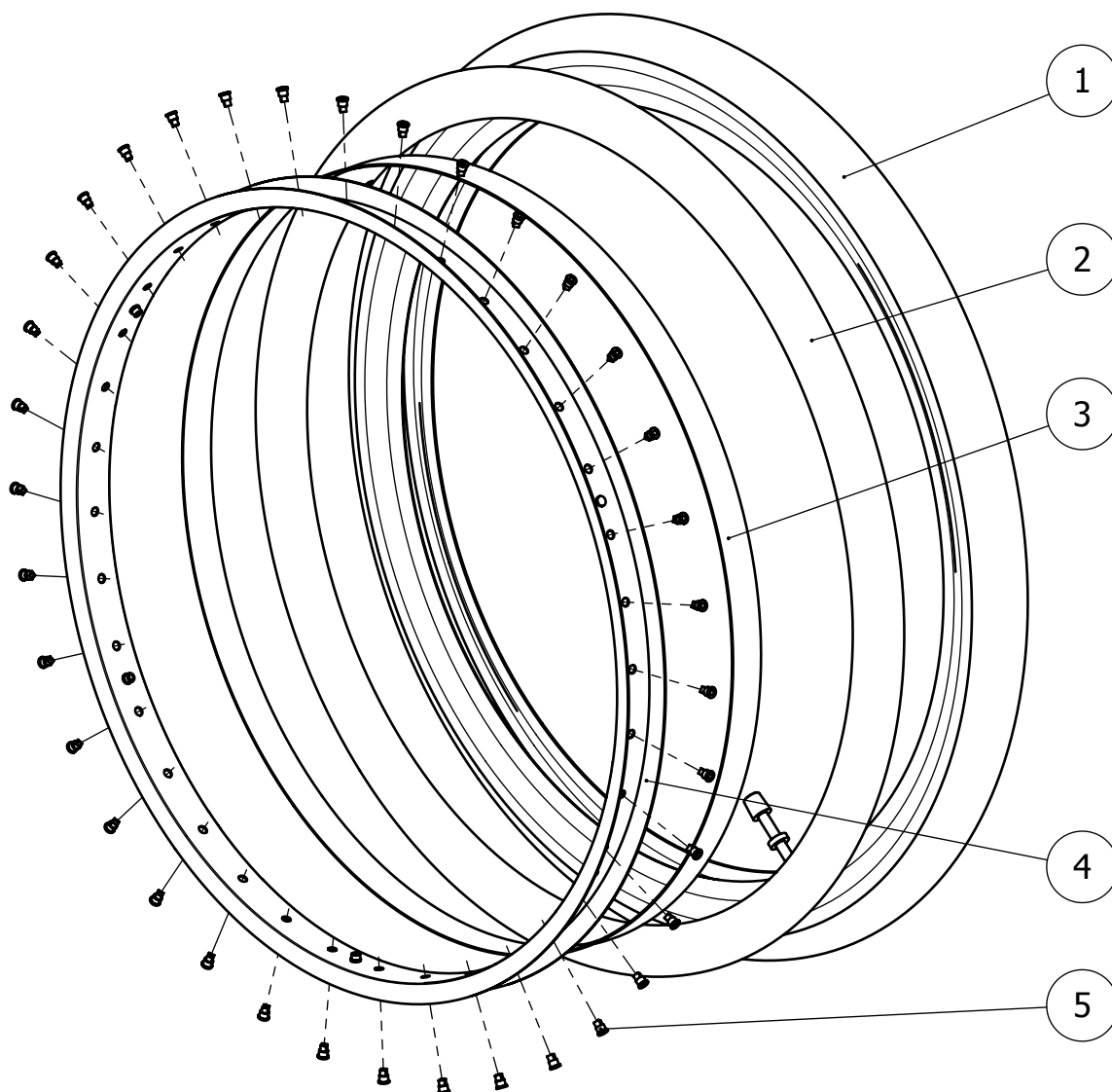


No.	code	description
1	1-011215R	Wheel 26" x 1,75 Right
2	1-011215L	Wheel 26" x 1,75 Left

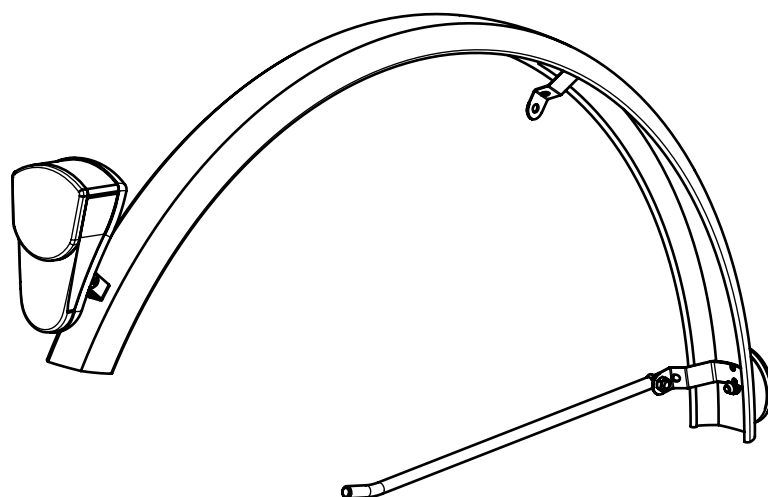
Huka BV, Postbus 194, NL-7570 AD Oldenzaal, tel: +31 (0)541-572470, email: sales@huka.nl

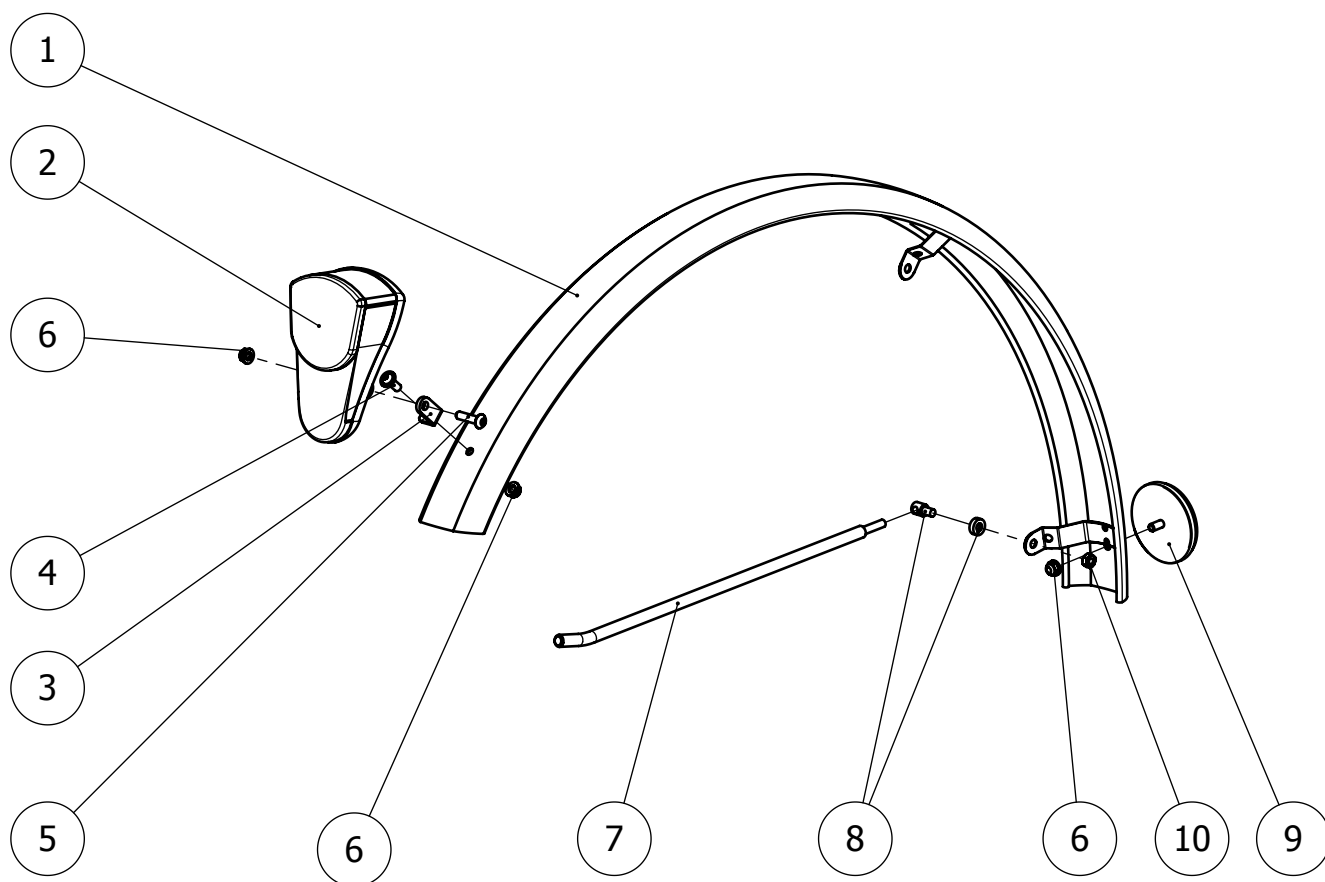


No.	code	description
1	1-008899	Nave front wheel Duet with drumbrake
2	1-008901	Spoke 13 x 240mm
3	1-001776	Spoke 13 x 250mm
4	1-990087	Bearing 16002-2Z
5	1-990085	Bearing 6003-2RS1

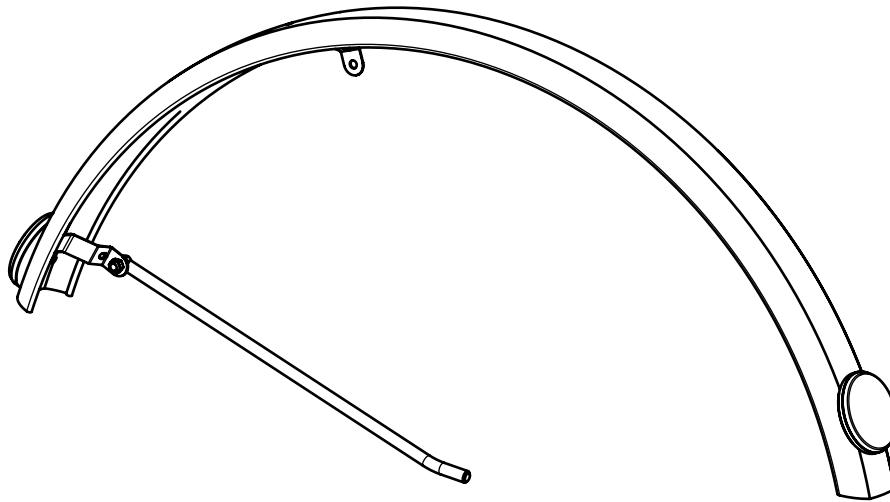


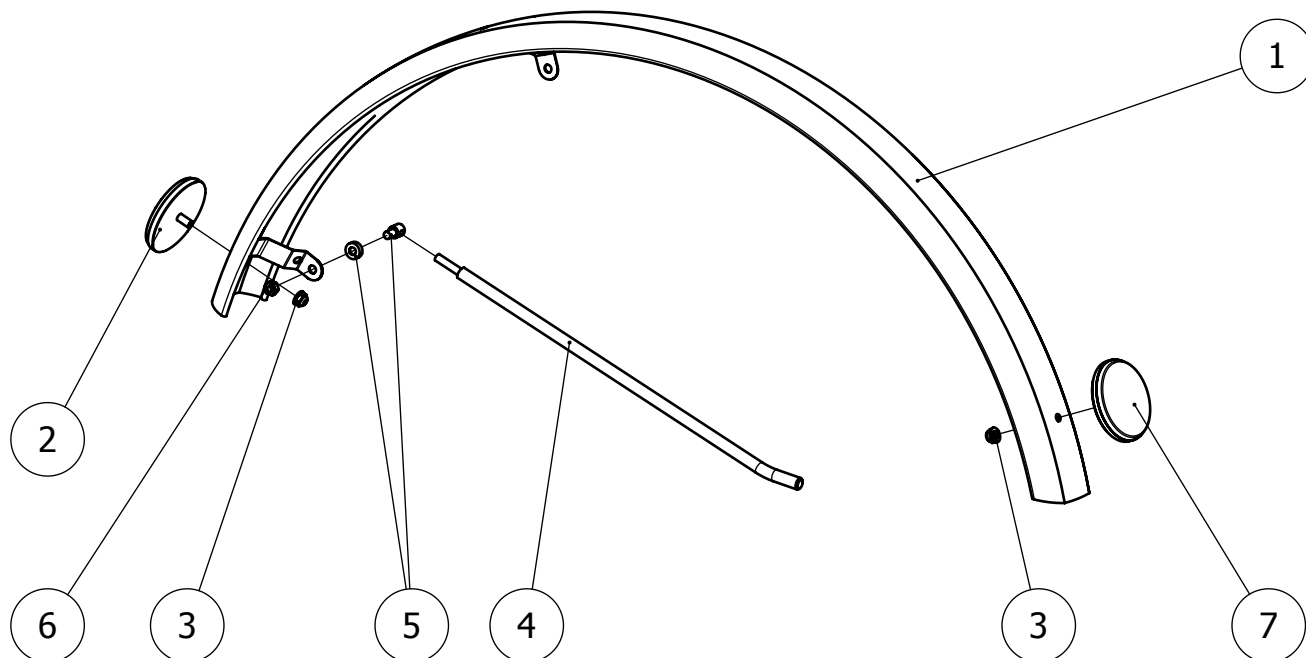
No.	code	description
1	1-001338	Tire 26 x 1,75
2	1-001348	Inner tube 26"
3	1-001376	Flap 26"
4	26508	Wheel rim 26 x 1,75
5	35067	Spoke nipple size 13



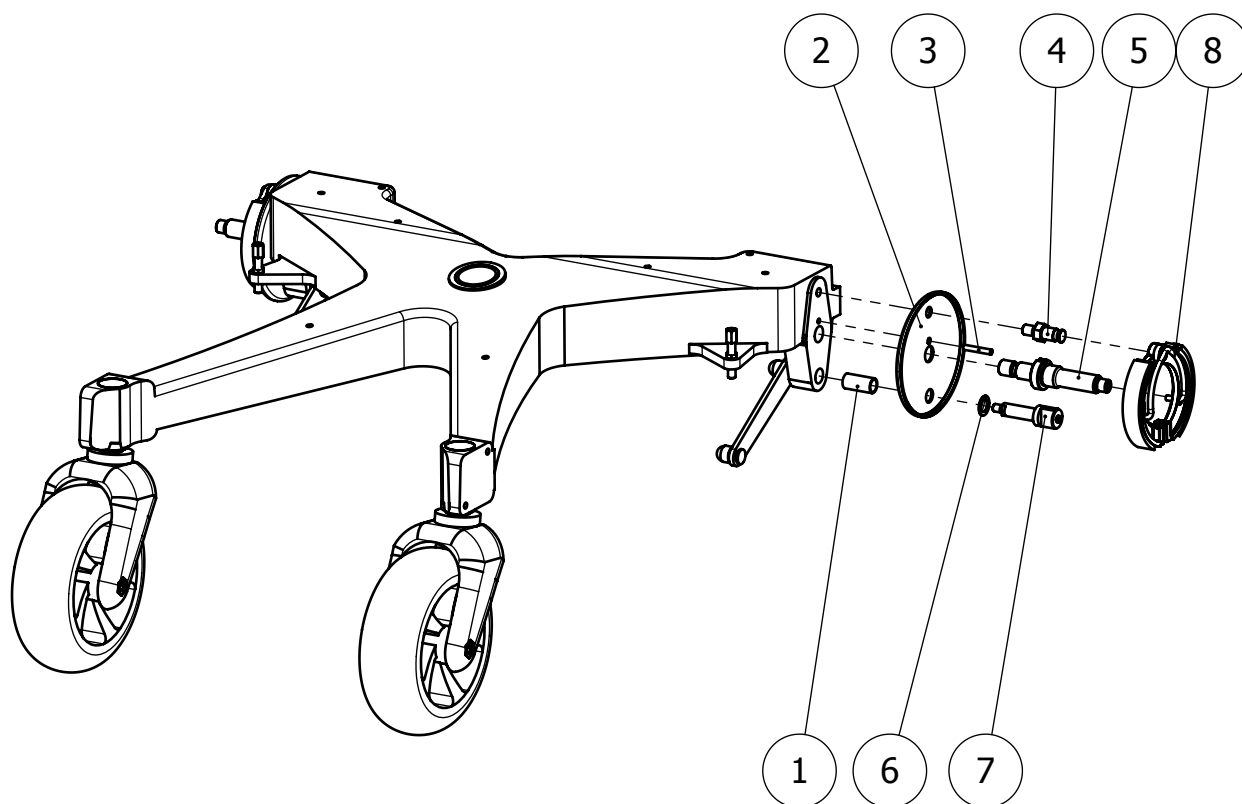


No.	code	description
1	1-008043	Mud guard left
2	32976	Head light
3	1-008066	Mounting bracket for head light
4	38268	Bolt M5 x 12mm
5	51462	Bolt M5 x 18mm
6	10212	Nut M5
7	1-008037	Eye bolt M5 x 8
8	1-008045	Mounting rod for mud guard
9	1-008060	Reflector Red
10	10212	Nut M5

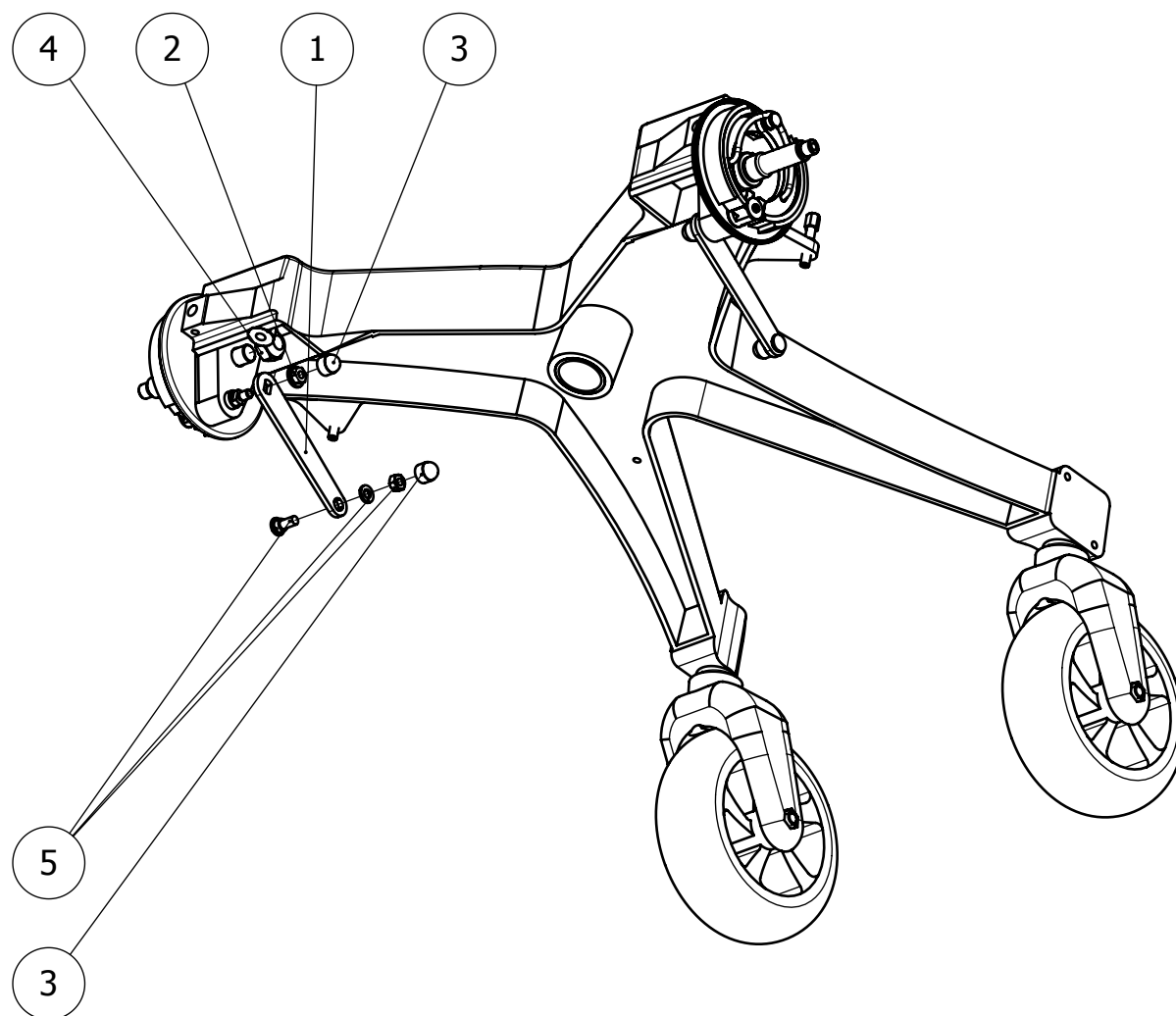




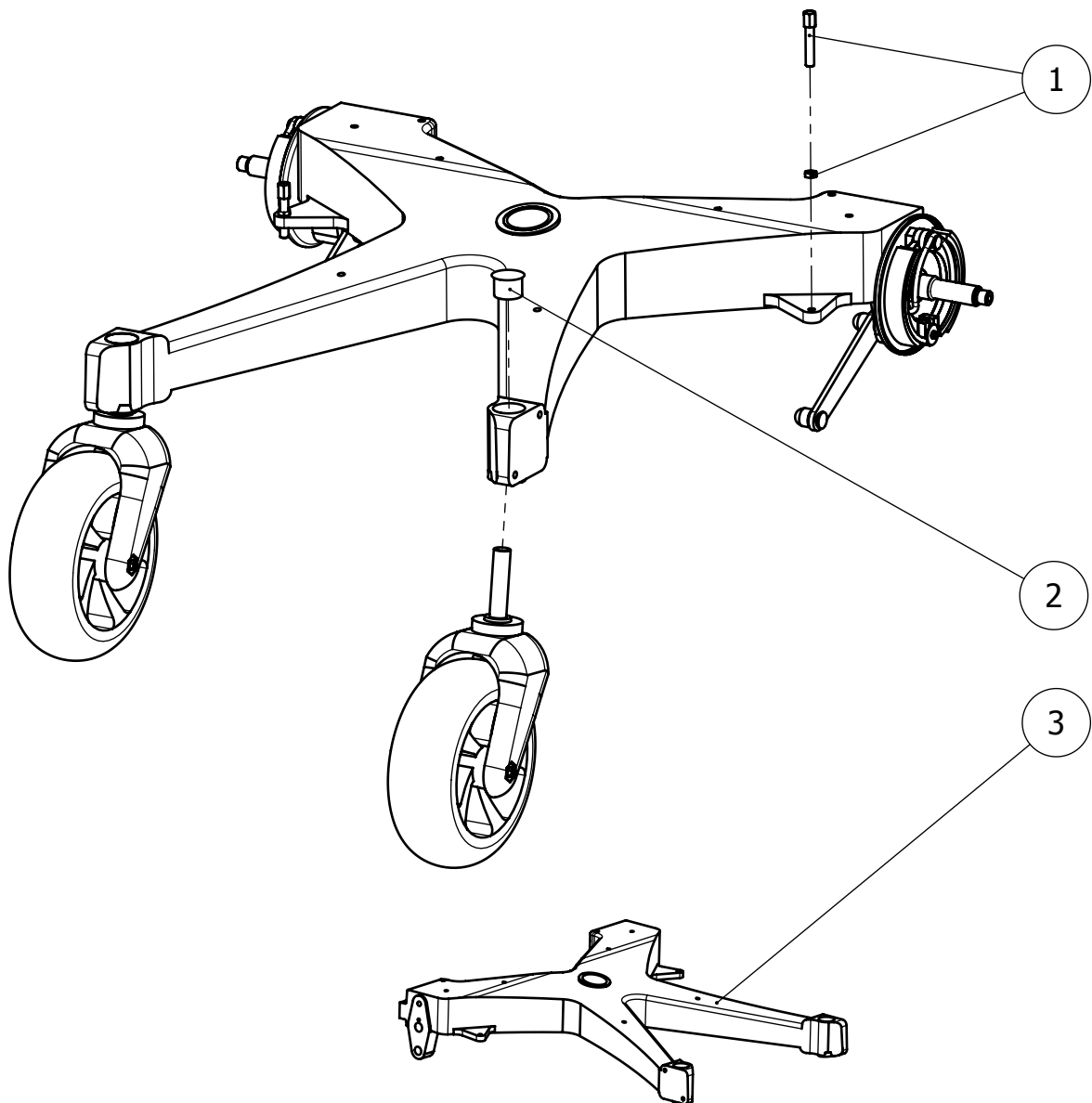
No.	code	description
1	1-008042	Mud guard Right
2	1-008060	Reflector Red
3	10212	Nut M5
4	38268	Mounting rod for mud guard
5	1-008037	Eye bolt M5 x 8mm
6	10212	Nut M5
7	1-008061	Reflector white



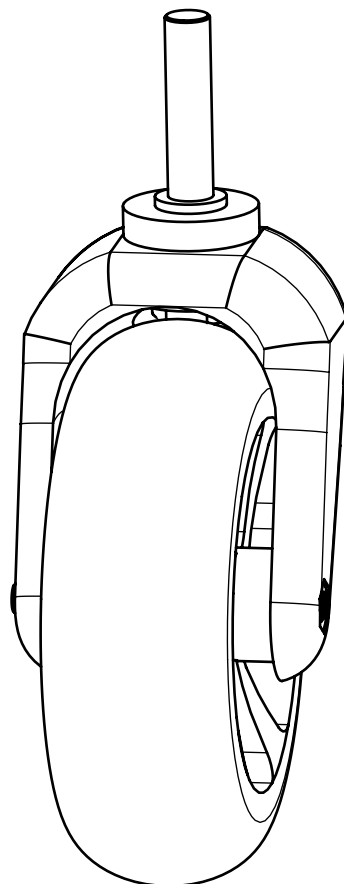
No.	code	description
1	1-008126	Nylon bush for drumbrake
2	1-008094	Cover for drumbrake
3	35085	Spring pin
4	1-008128	Hinge shaft for drumbrake
5	1-008097	Axle for frontwheel
6	26268	Washer for hinge shaft
7	1-008129	Ratchet for brake
8	1-008099	Brake pads set

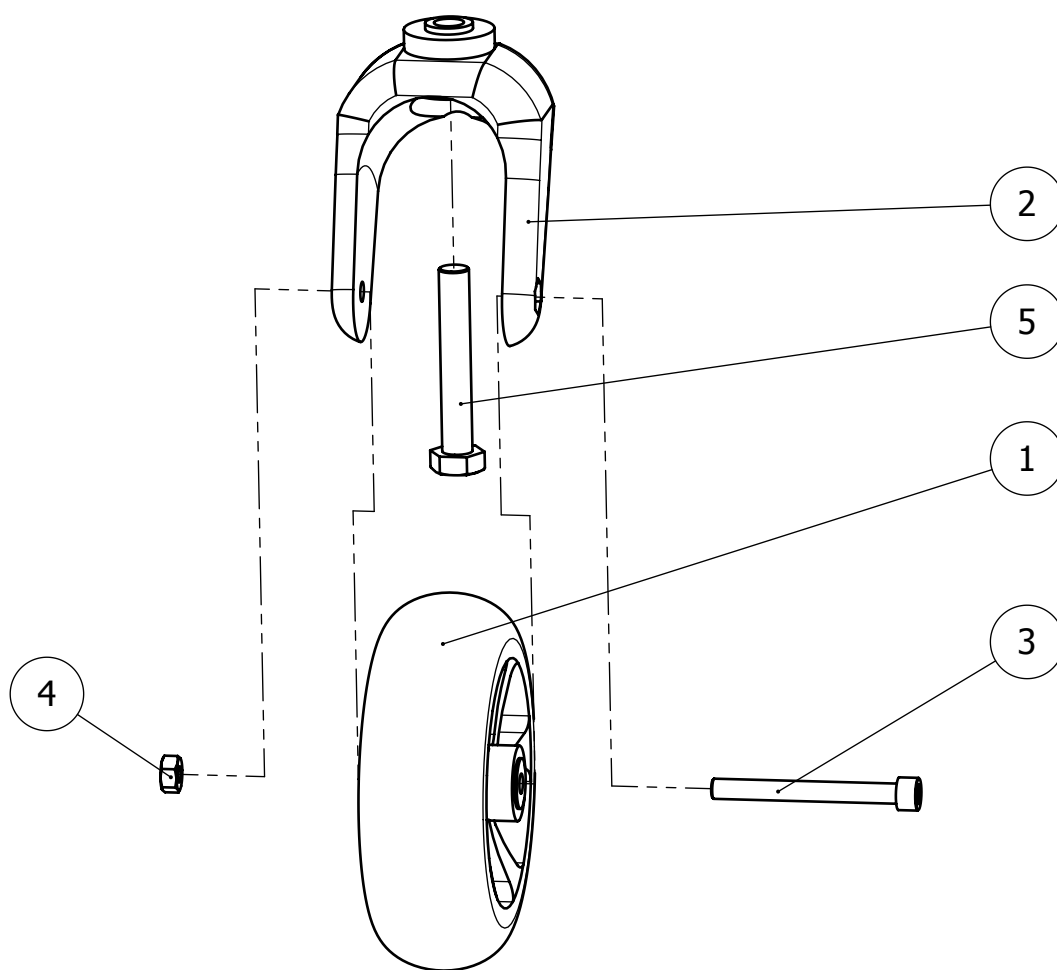


No.	code	description
1	1-008098	Brake control lever
2	38267	Nut M6
3	75222	Plastic cover M6
4	75148	Safety nut M10
5	1-590148	Clamp bolt brake cable

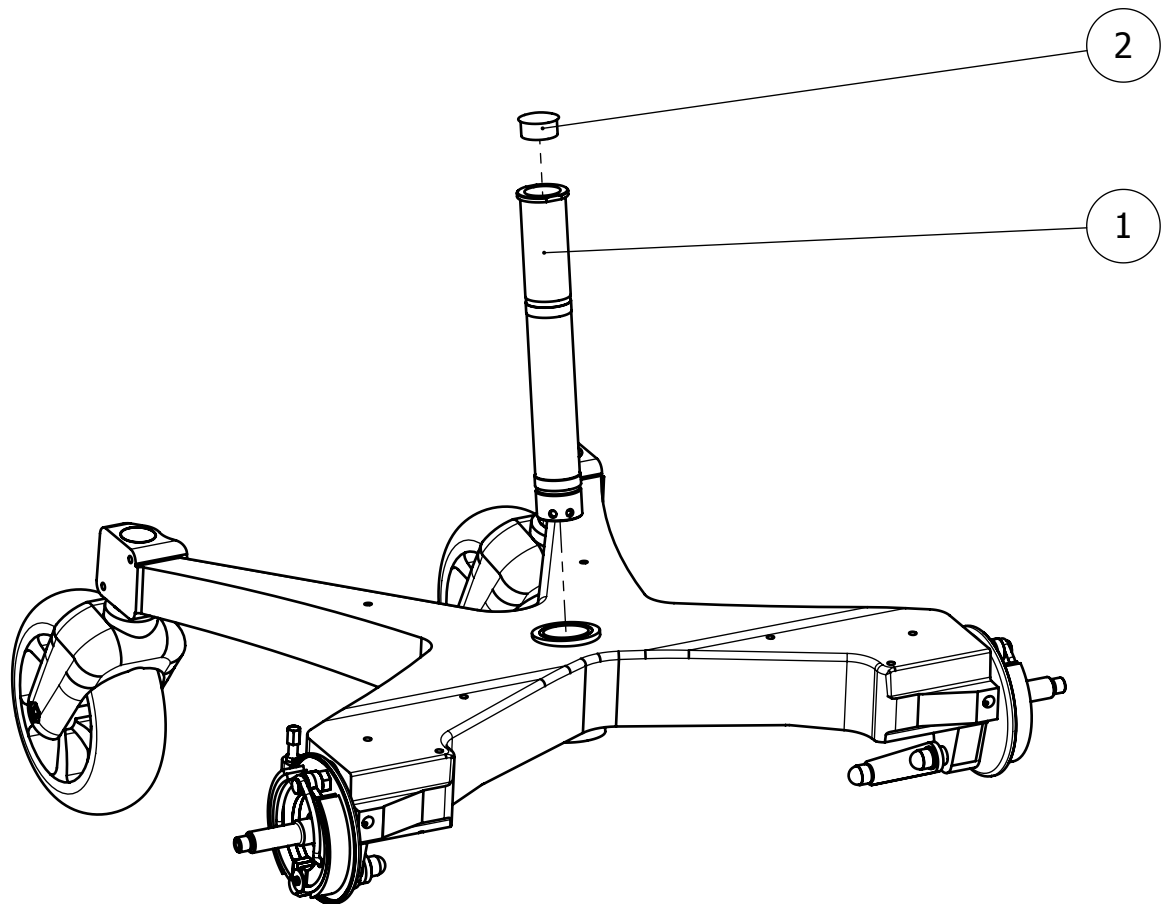


No.	code	description
1	1-008127	Adjusting bolt M6
2	26780	Plugg-in cover 27mm
3	1-008001	Cross frame for Duet

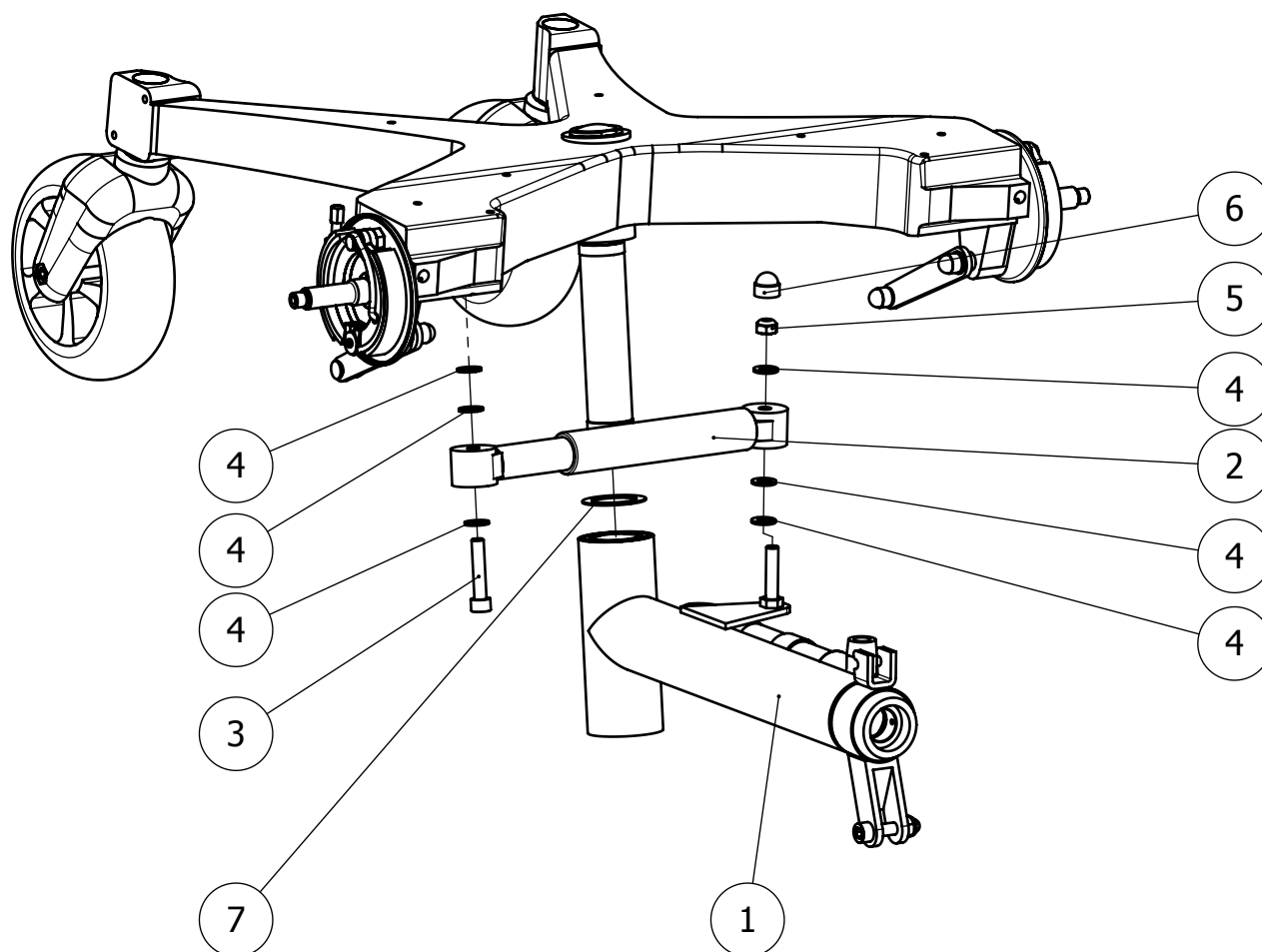




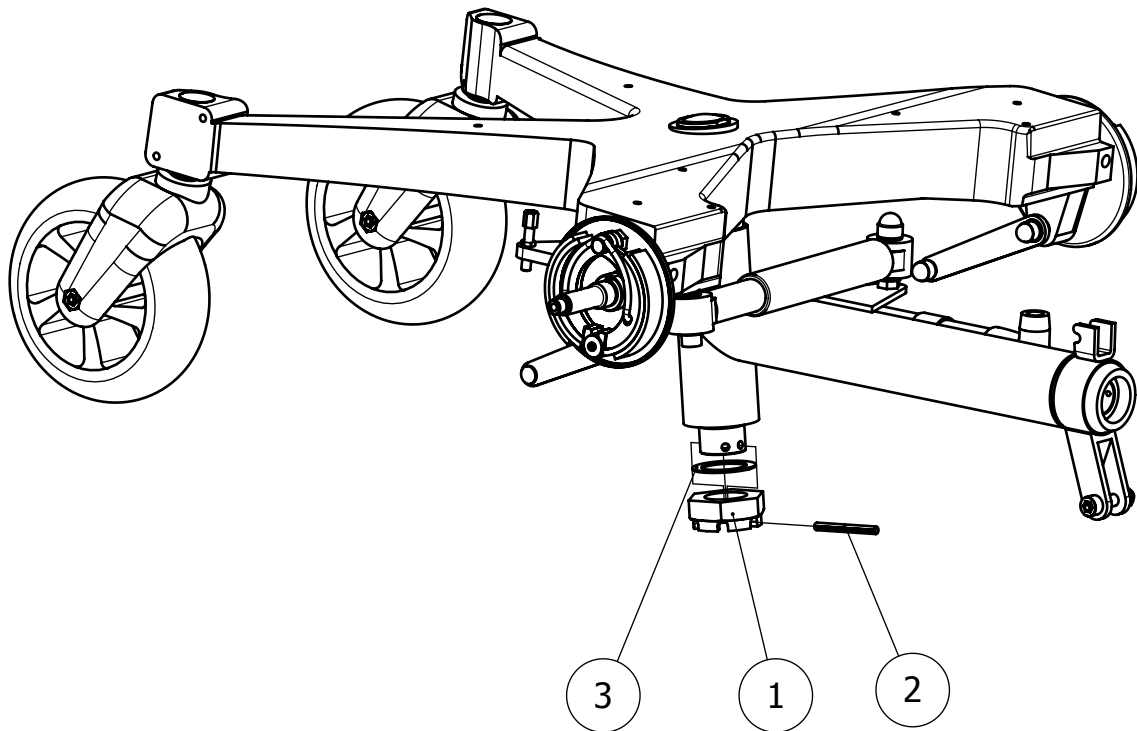
No.	code	description
1	1-008451	Wheel 200x50
2	1-008450	Swifel castor 200 x 50
3	10095	Bolt M8 x 80mm
4	64033	Nut M8
5	32480	Bolt M12 x 50mm



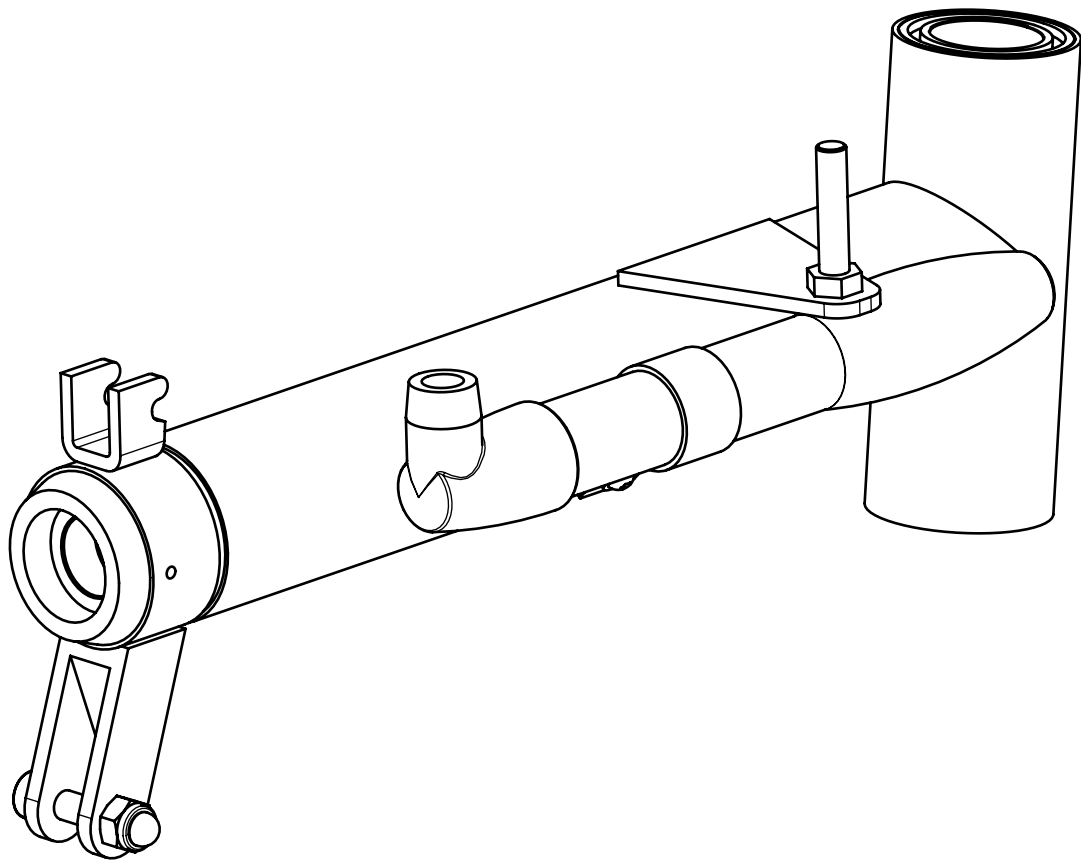
No.	code	description
1	1-008503	Bearing tube for cross frame Duet
2	26780	Plugg-in cover 27mm

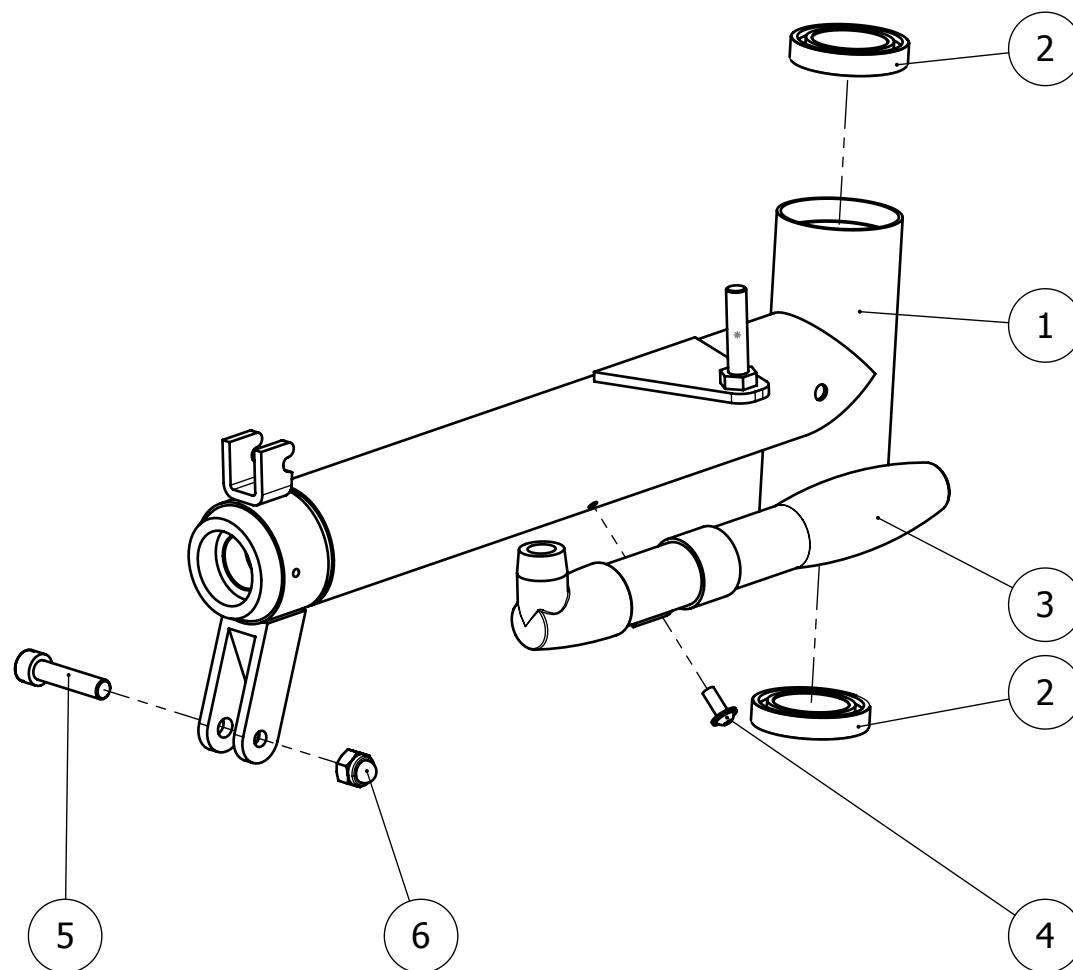


No.	code	description
1	sheet 37	Assy steering tube Duet
2	1-590089	Damper steering Duet
3	10578	Bolt M8 x 45mm
4	10110	Washer M8
5	10204	Safety nut M8
6	64065	Plastic cover M8
7	32623	Washer 42-30 mm

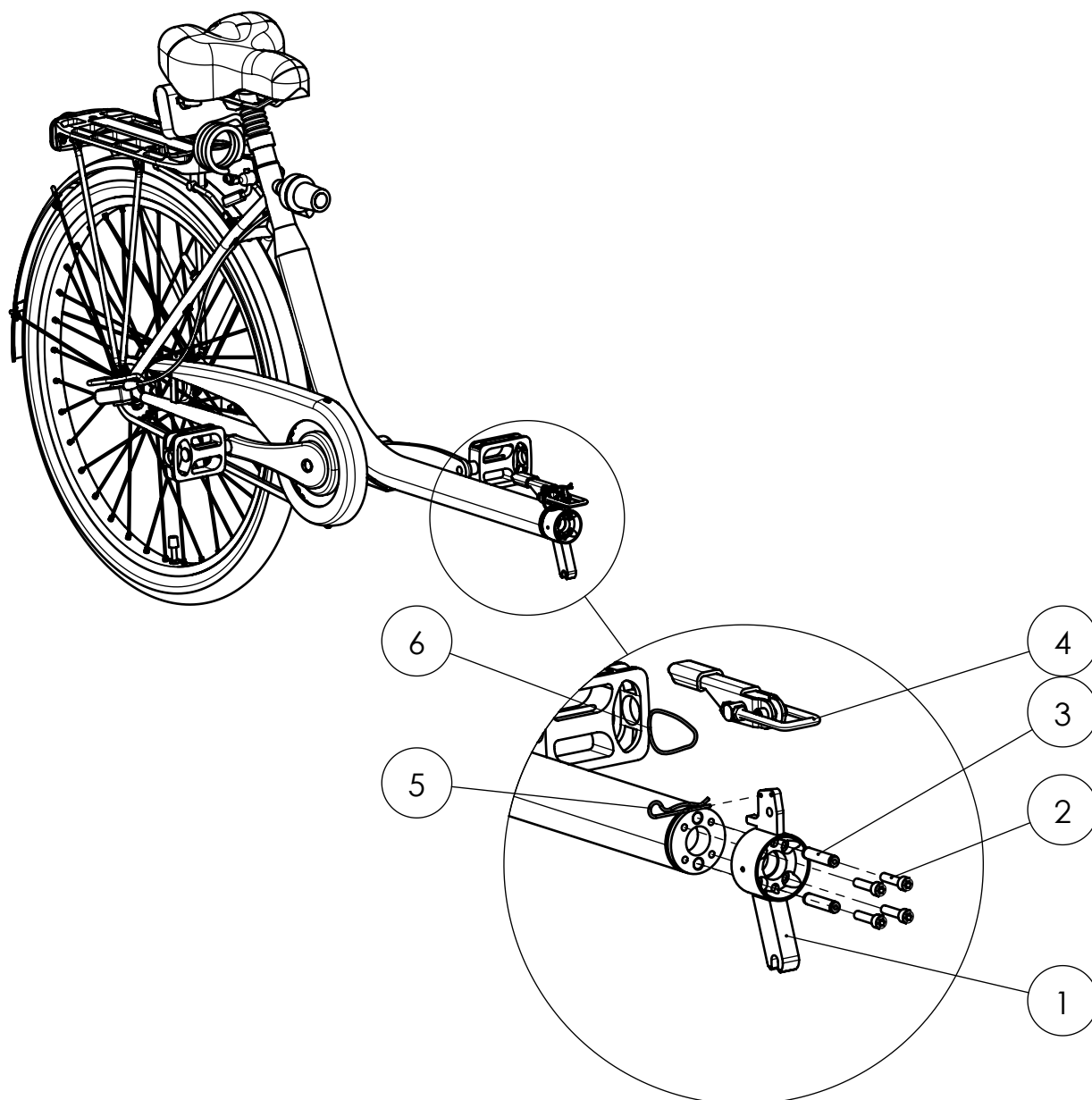


No.	code	description
1	1-997566	Castle nut M30 x 1,5
2	30232	Spring pin
3	32623	Washer M30

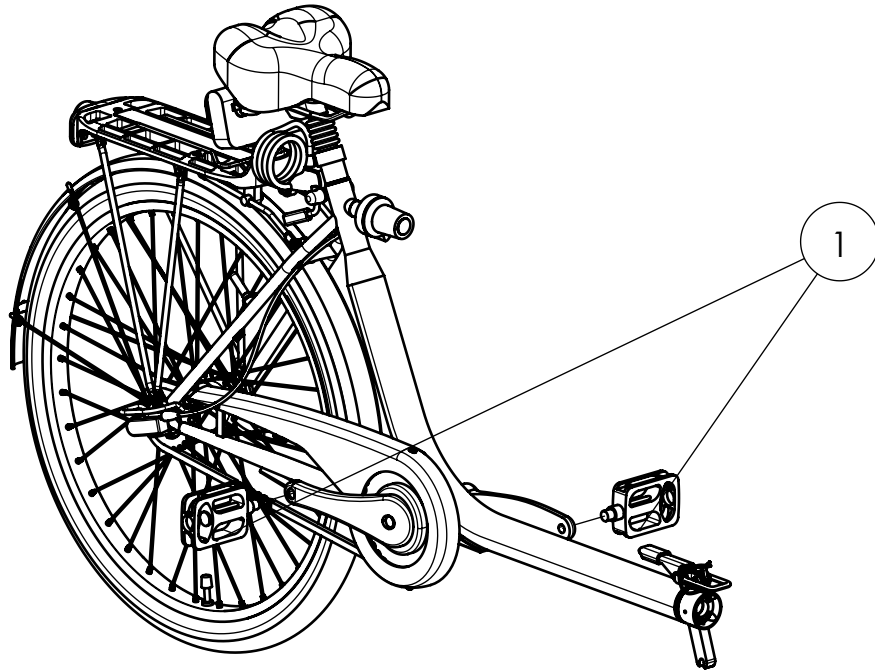




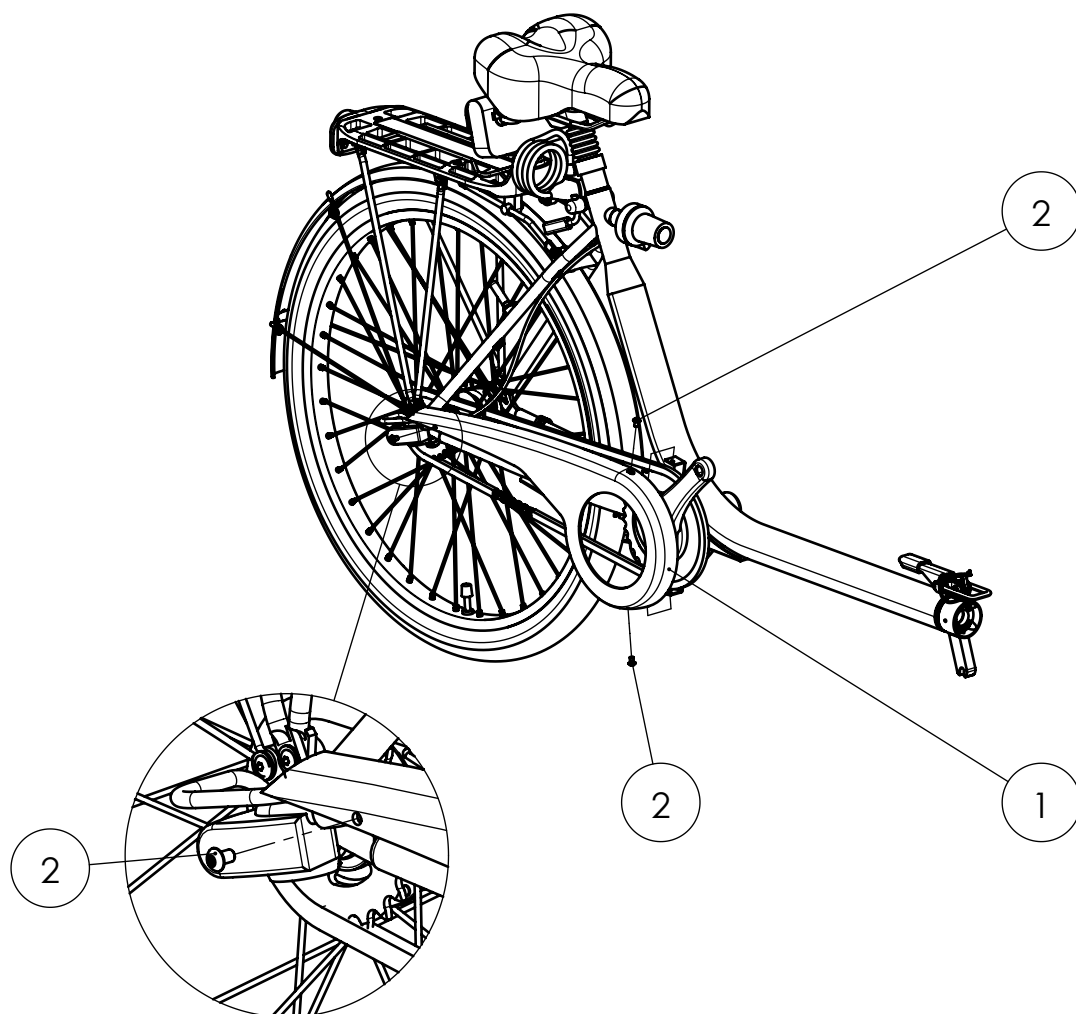
No.	code	description
1	1-008110	Steering tube for Duet
2	1-990090	Bearing 61906 2RS
3	35075	Bicycle pump
4	51462	Bolt M5 x 18mm
5	10091	Bolt M8 special
6	75165	Cap nut M8



No.	code	description
1	1-590022	Coupling female for Duet
2	12936	Bolt M6 x 35mm
3	38138	Spring pin
4	1-008033	Locking lever Duet
5	51222	Locking pin
6	26235	Safety chain for locking pin

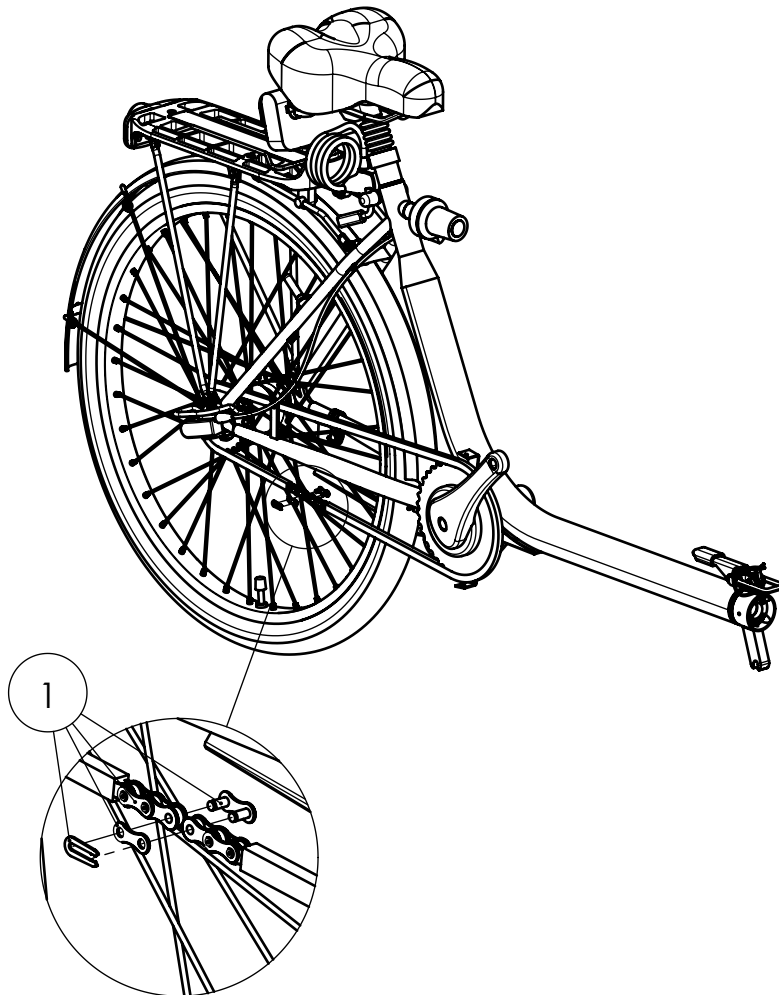


No.	code	description
1	1-001645	Pedals



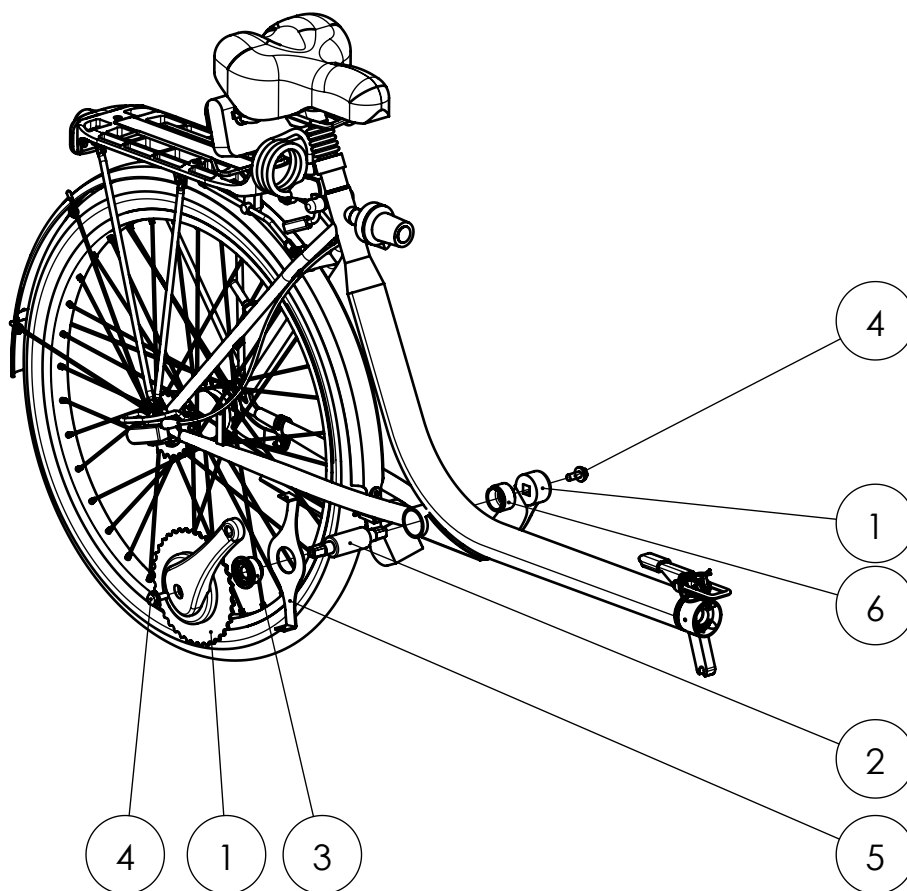
No.	code	description
1	1-108022	Chainguard for Duet
2	51603	Bolt M5 x 8mm

Huka BV, Postbus 194, NL-7570 AD Oldenzaal, tel: +31 (0)541-572470, email: sales@huka.nl

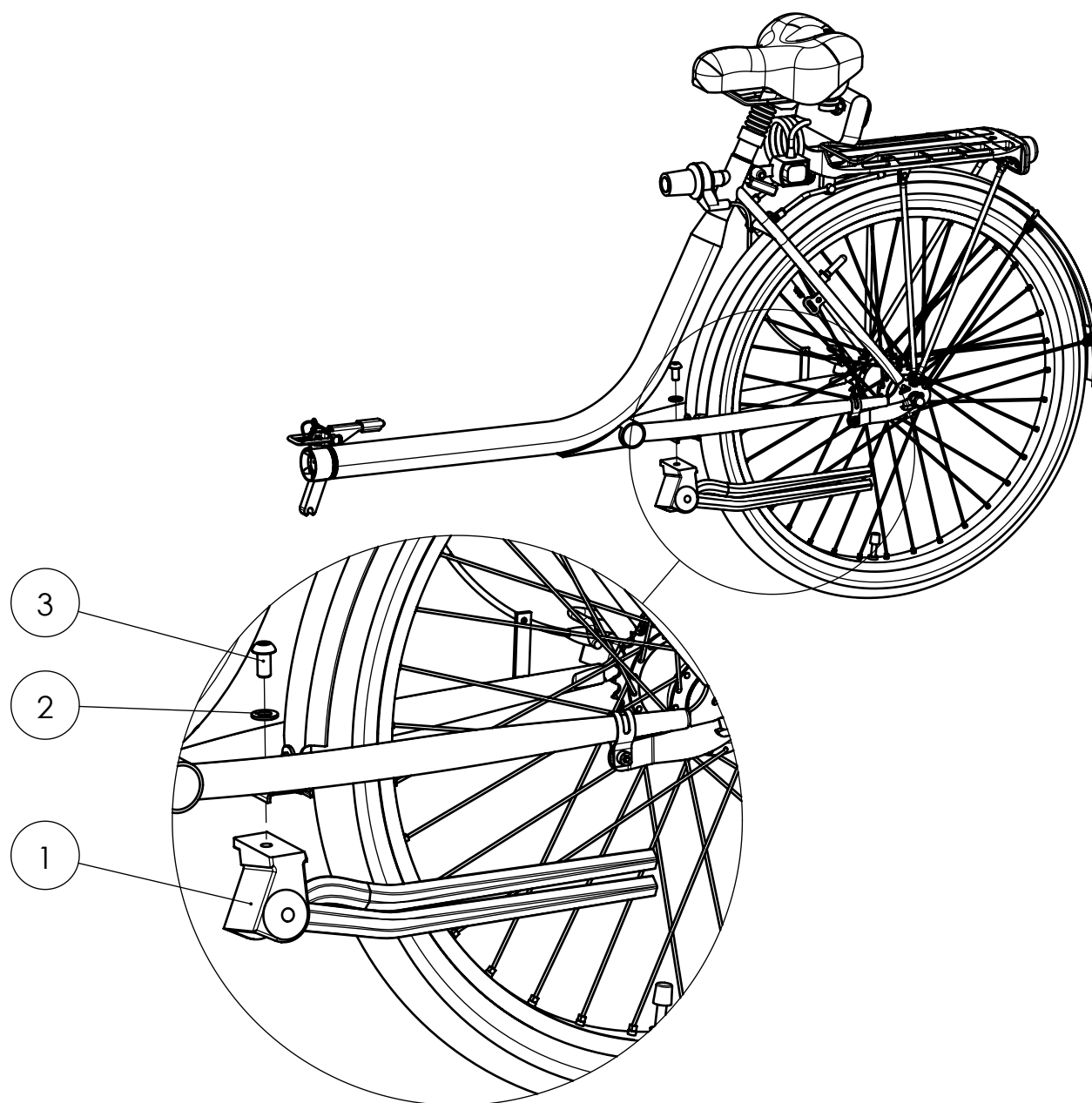


No.	code	description
1	1-008050	Chain for Duet

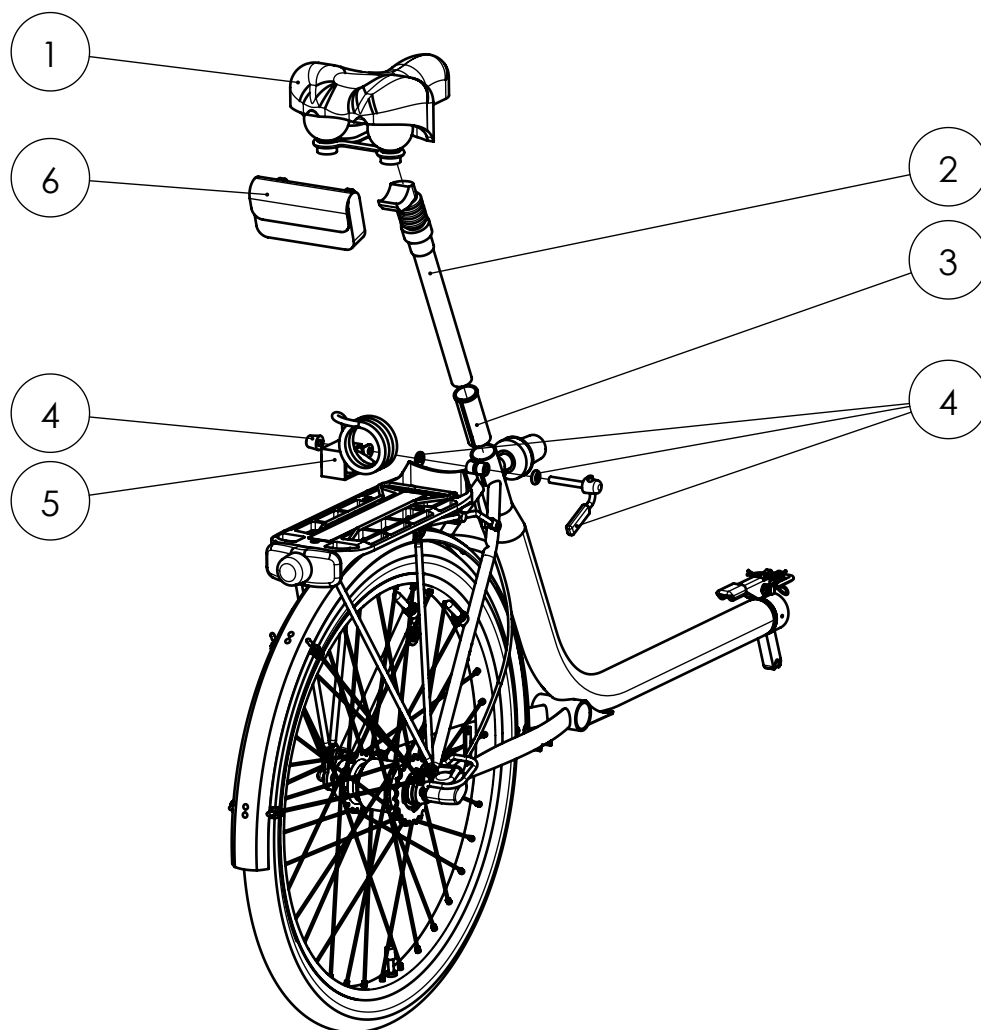
Huka BV, Postbus 194, NL-7570 AD Oldenzaal, tel: +31 (0)541-572470, email: sales@huka.nl



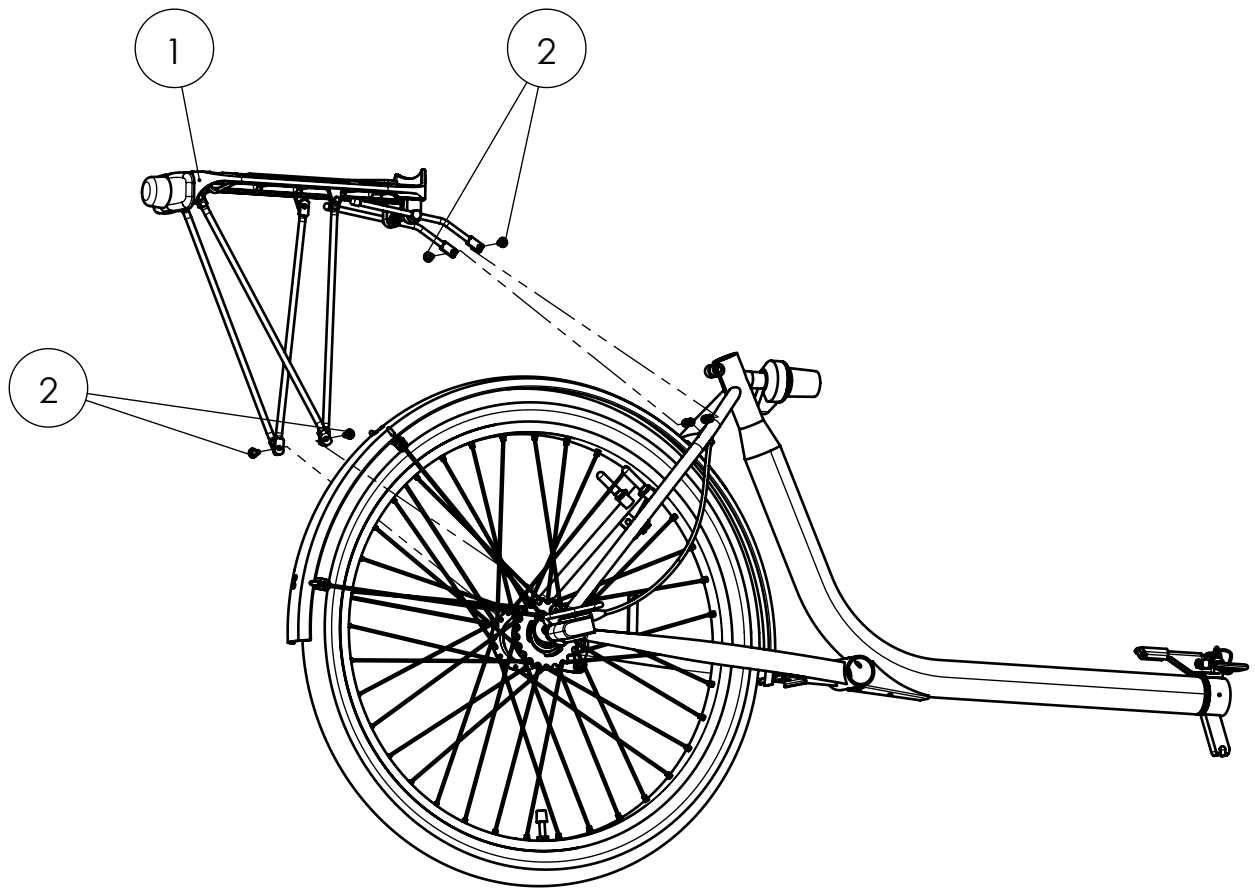
No.	code	description
1	1-008024	Crank set 170mm 38T
2	1-008015	Crank shaft 132mm
3	28732	Mounting cup right for crankshaft
4	28732	Crank bolt
5	1-008021	Mounting bracket for chainguard
6	28731	Mounting cup left for crankshaft



No.	code	description
1	1-590016	Two leg stand
2	10080	Washer M10
3	51622	Bolt M10 x 20mm

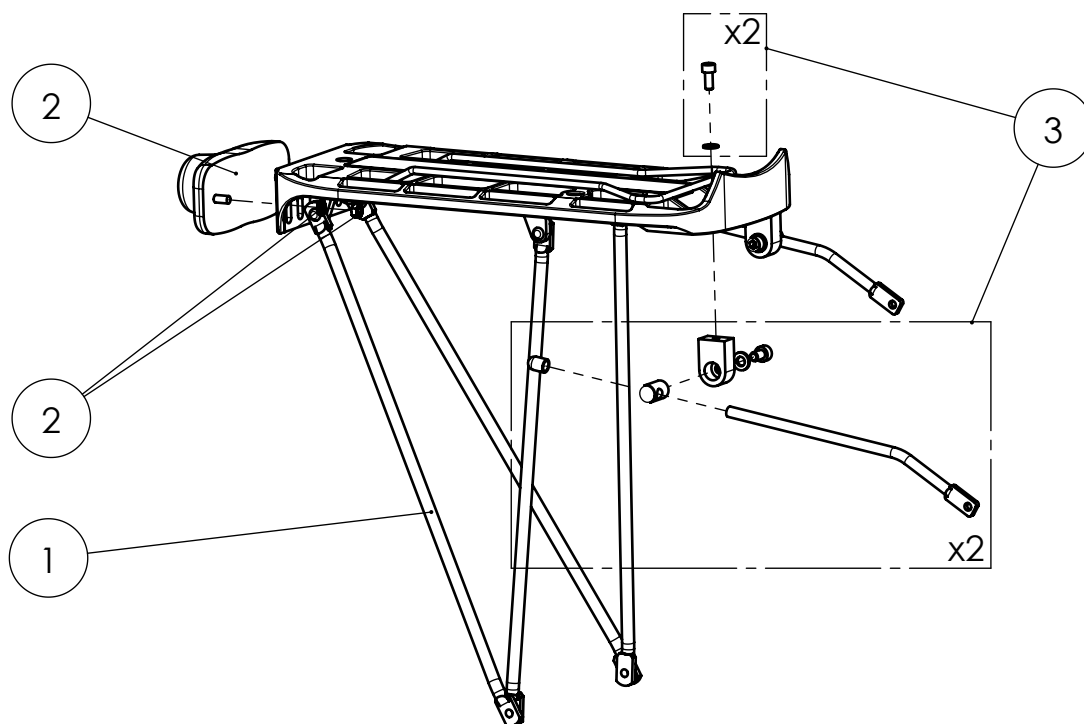


No.	code	description
1	1-002861	Bicycle saddle
2	1-008115	Shock absorbing seat post
3	1-008116	Adapter bush for seat post 30-27,2mm
4	1-008117	Quick-acting clamp for seat post
5	1-590016	Cable lock
6	1-490008	Tool kit

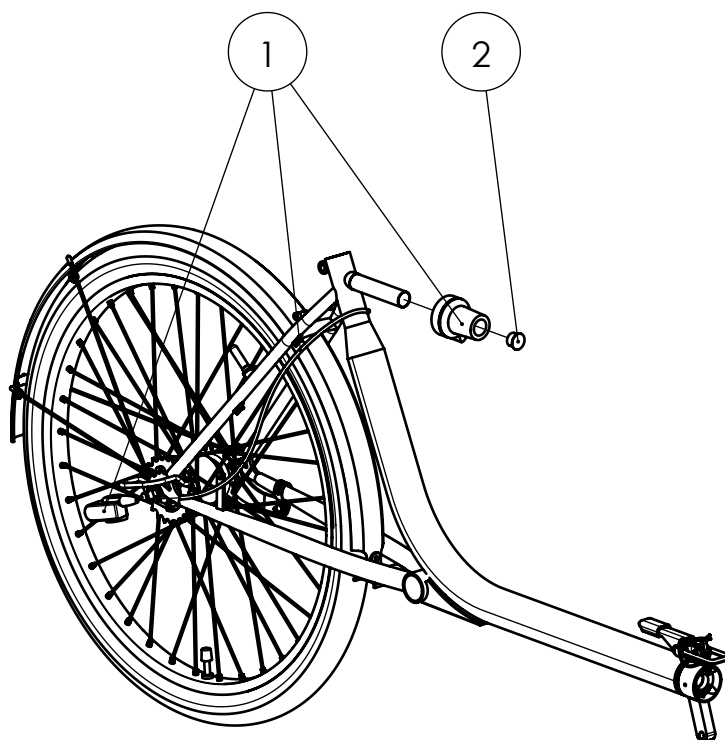


No.	code	description
1	sheet 47	Assy parcel carrier Pletcher
2	51462	Bolt M5 x 18mm

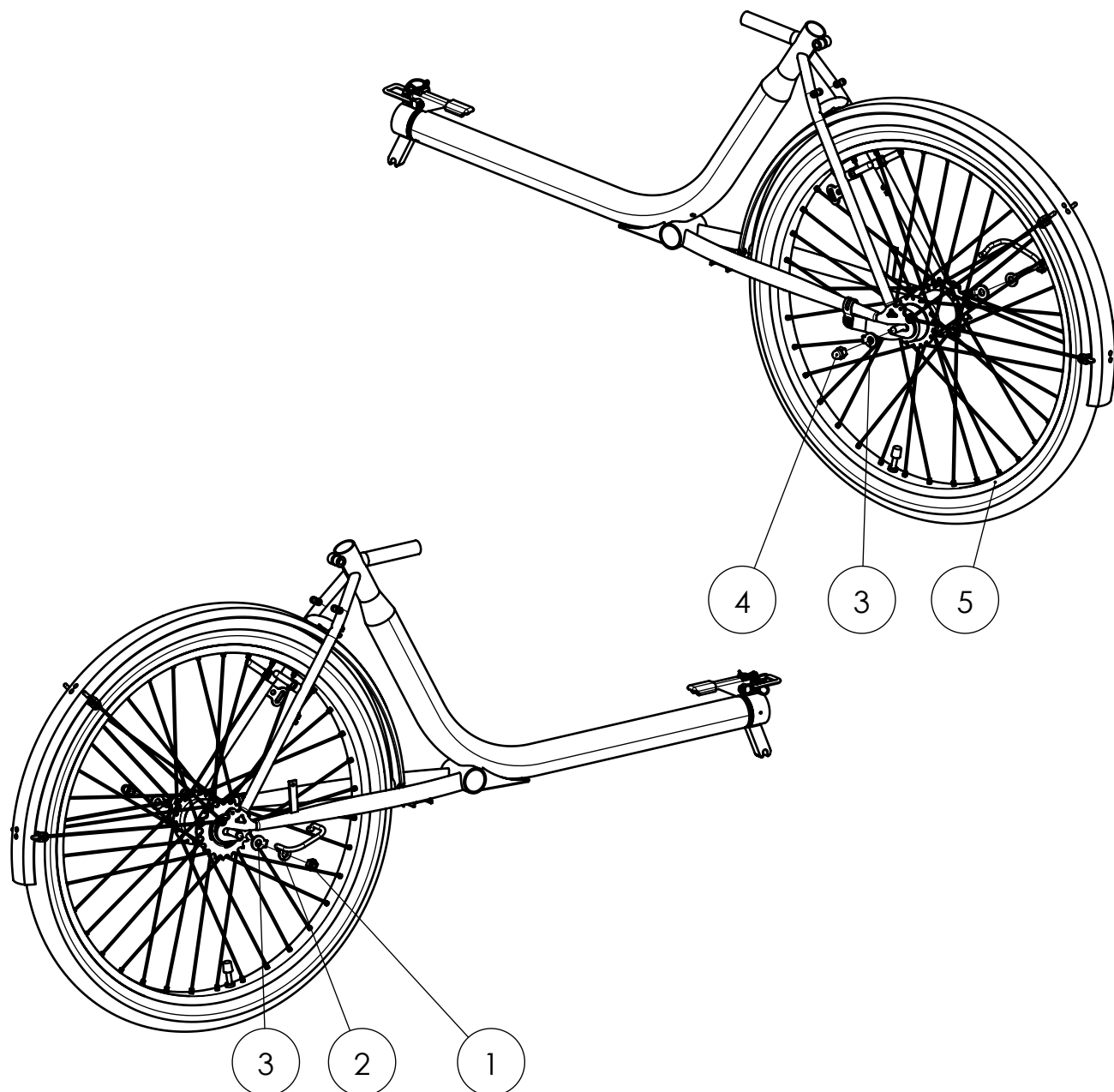
Huka BV, Postbus 194, NL-7570 AD Oldenzaal, tel: +31 (0)541-572470, email: sales@huka.nl



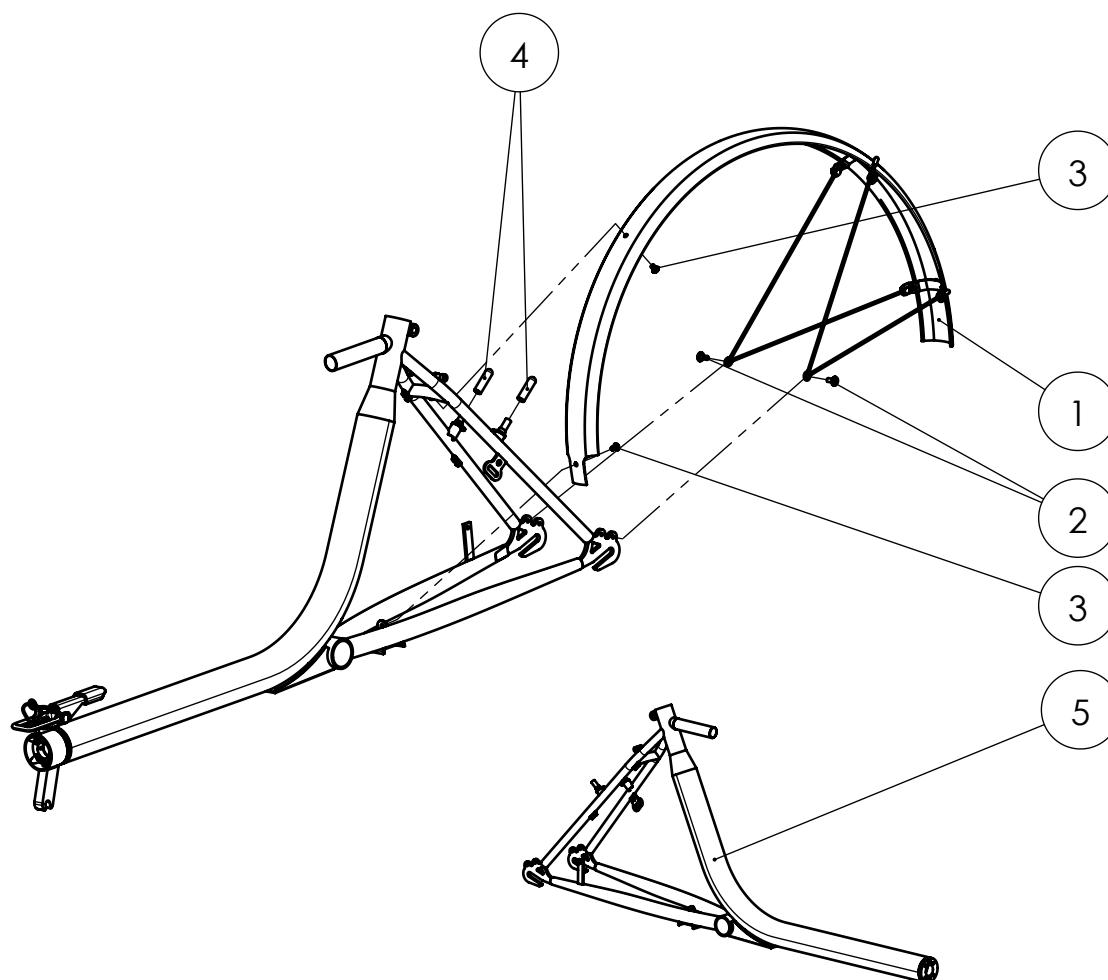
No.	code	description
1	1-008035	Parcel carrier Pletcher
2	35142	Backlight
3	1-008028	Mounting set for Parcel carrier



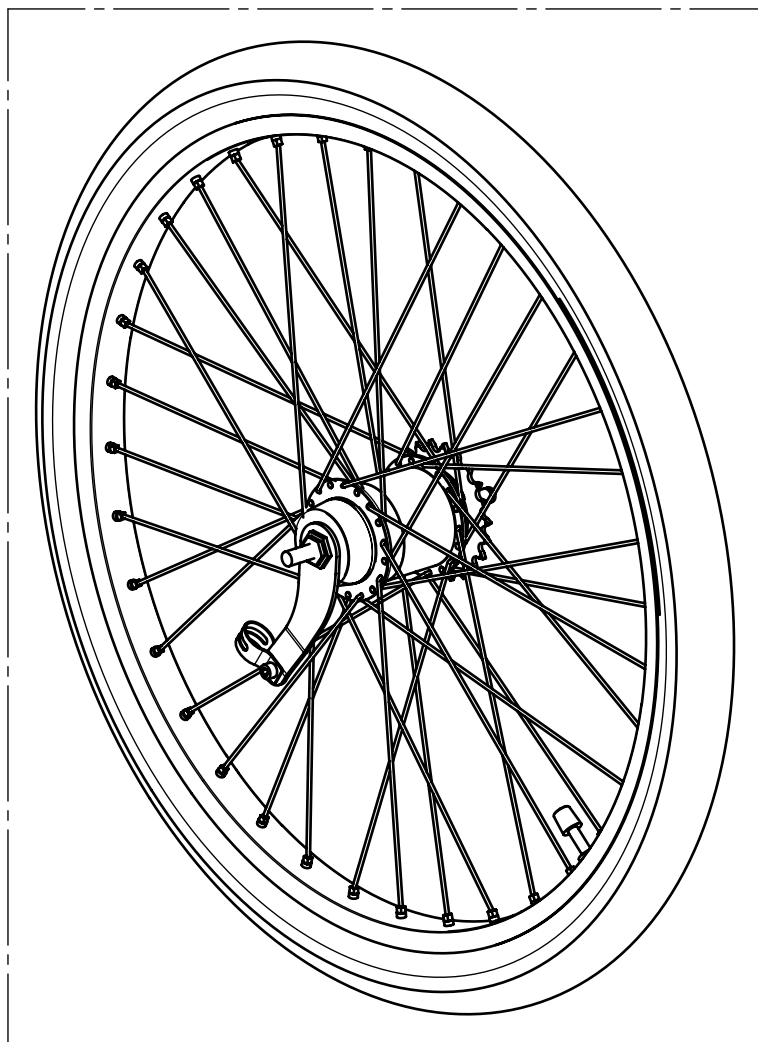
No.	code	description
1	1-008405	Gripshift 7-gear Sram
2	10073	Plugg-in cover 22mm



No.	code	description
1	1-001849	Protecting bracket for klickbox
2	1-001842	Axle nut Sachs
3	33002	Washer Sachs
4	27986	Cap nut Sachs
5	1-081313	Backwheel 7-gear Sram with pedalbrake

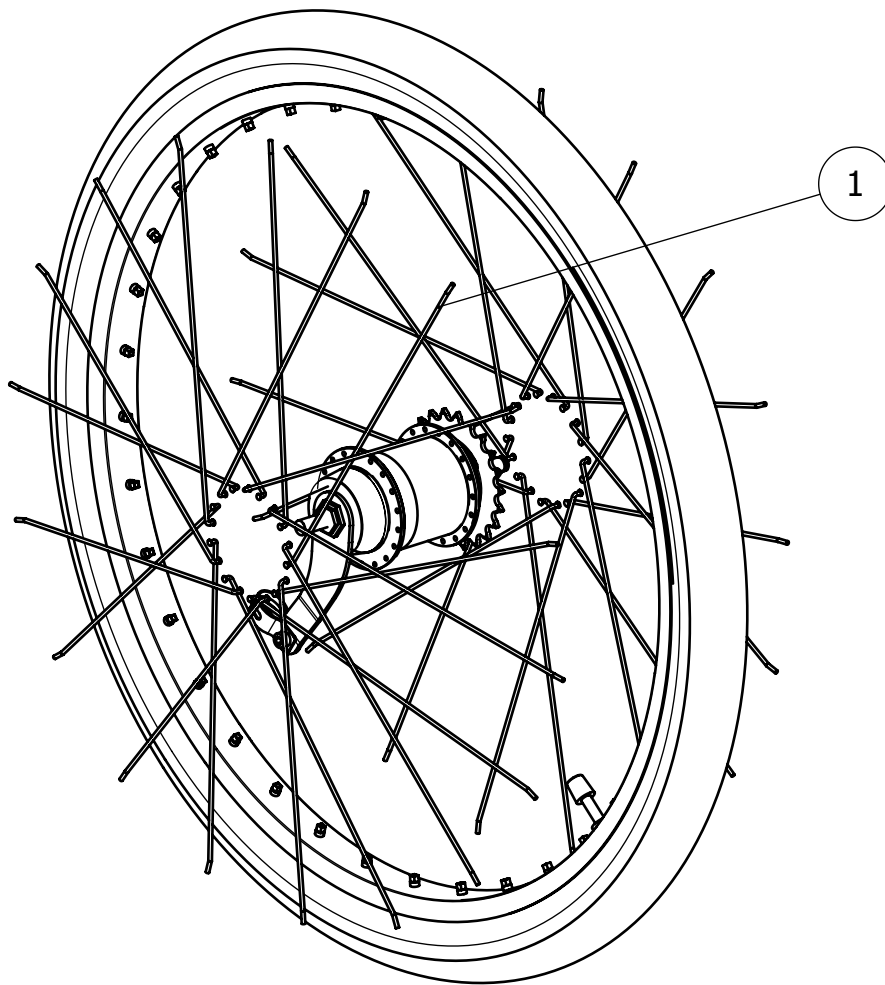


No.	code	description
1	1-008044	Mudguard for backwheel
2	51462	Bolt M5 x 12mm
3	51603	Bolt M5 x 8mm RVS
4	13124	Grommet
5	1-008002	Bicycleframe red
	1-008003	Bicycleframe blue
	1-008004	Bicycleframe silver

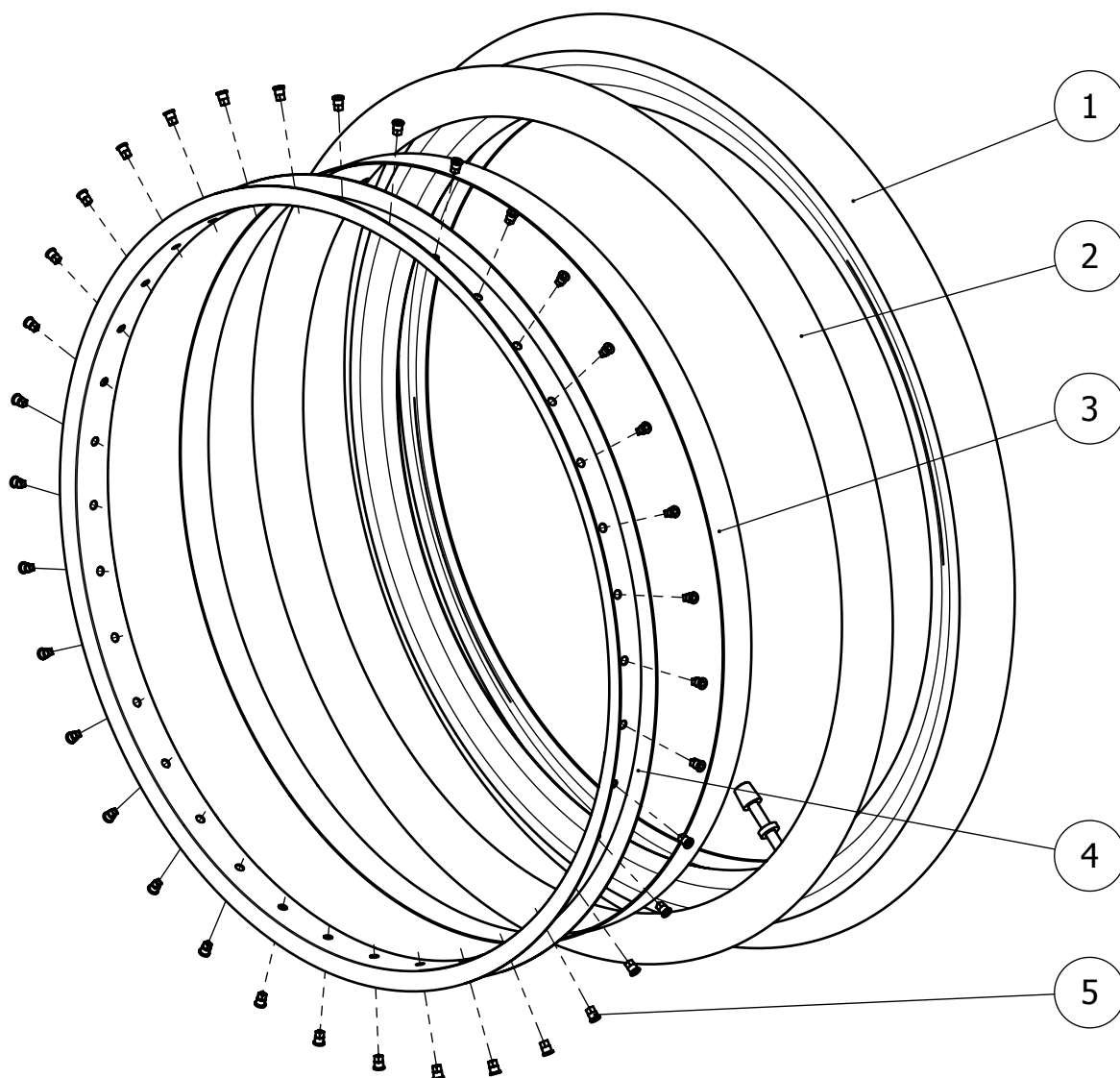


1

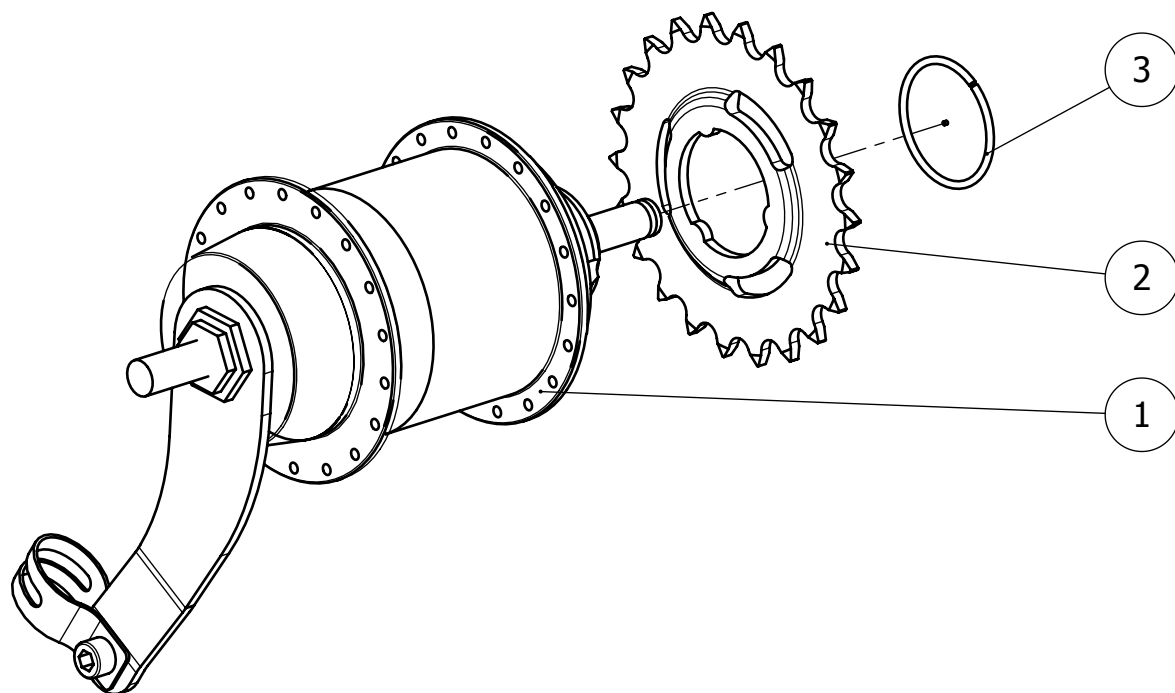
No.	code	description
1	1-081313	Backwheel 7-gear Sram with pedalbrake



No.	code	description
1	26629	Spoke 13 x 255mm



No.	code	description
1	1-001338	Tire 26 x 1,75
2	1-001348	Inner tube 26"
3	1-001376	Flap 26"
4	26508	Wheel rim 26 x 1,75
5	35067	Spoke nipple size 13



No.	code	description
1	1-001707	Nave 7 gear Sram with pedalbrake
2	1-001689	Sprocket chain wheel 22T
3	1-001801	Spring ring for chain wheel